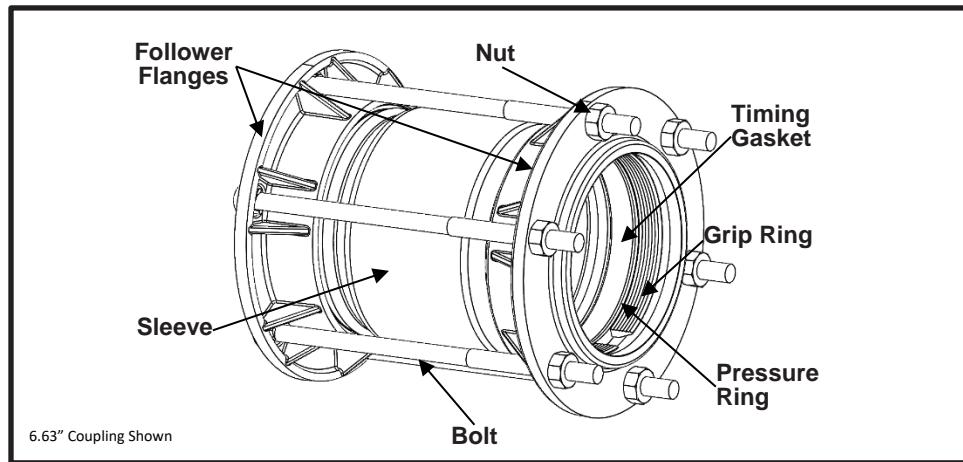




Smith-Blair
a xylem brand

SPECIFICATION MAXI-GRIP® EZ OILFIELD RESTRAINT COUPLING



APPLICATIONS

- **Typical Uses**
 - Joining and restraining IPS x IPS plain end pipes of same outer diameters
- **Standard Pipe Sizes**
 - 2" to 12" nominal
- **Type of Pipe**
 - Steel x Steel
- **Pressure Rating**
 - Working Pressure: 300 PSI
 - Test Pressure = (Working Pressure) x 2

MATERIALS

- **Follower Flanges**
 - Material: 2" - 4" nominal pipe size(s) = ASTM A569 Grade 1008/1010 HR, Carbon Steel
6" - 12" nominal pipe size(s) = ASTM A536 Grade 65-45-12, Ductile Iron
 - Flexi-Coat® fusion bonded epoxy
- **Sleeve**
 - Material: 2" - 4" nominal pipe size(s) = ASTM A513 Grade 1008/1010 HREW, Carbon Steel
6" - 12" nominal pipe size(s) = ASTM A283 Grade C, Carbon Steel
 - Standard Length: 2" - 8" nominal pipe size(s) = 7"
10" - 12" nominal pipe size = 10"
 - Flexi-Coat® fusion bonded epoxy
- **Grip Rings**
 - Material: 2" - 8" nominal pipe size(s) = ASTM A513 DOM 1026, Carbon Steel
10" - 12" nominal pipe size(s) = ASTM A36, Carbon Steel
 - Case hardened teeth
 - Coated in red oxide primer
- **Pressure Rings**
 - ASTM A569 Grade 1008/1010 HR, Carbon Steel
 - Coated in red oxide primer
- **Wave Spring**
 - AISI C-1080 Spring Temper Steel
 - Used in lieu of Timing Skirt on 10" size



Smith-Blair
a xylem brand

SPECIFICATION MAXI-GRIP® EZ OILFIELD RESTRAINT COUPLING

- **Timing Gaskets**
 - Material: ASTM-D2000 SBR Rubber
 - Timing Skirt
- **Bolts**
 - High Strength Low Alloy (HSLA) Steel
 - 5/8"-11UNC, Track-head, barbed for continuity
 - Rolled threads
- **Nuts**
 - HSLA Steel
 - 5/8"-11UNC, X-Heavy Hex Semi-Finished

REGULATIONS

- Marked in accordance with DOT CFR49-192.63(a)(2)

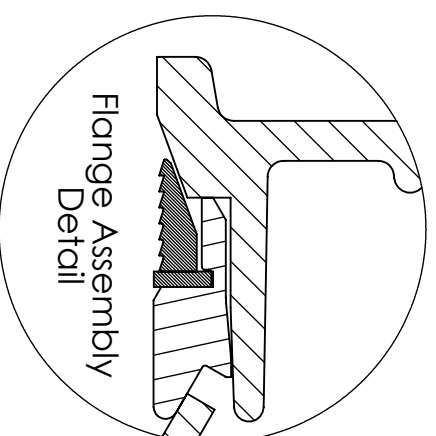
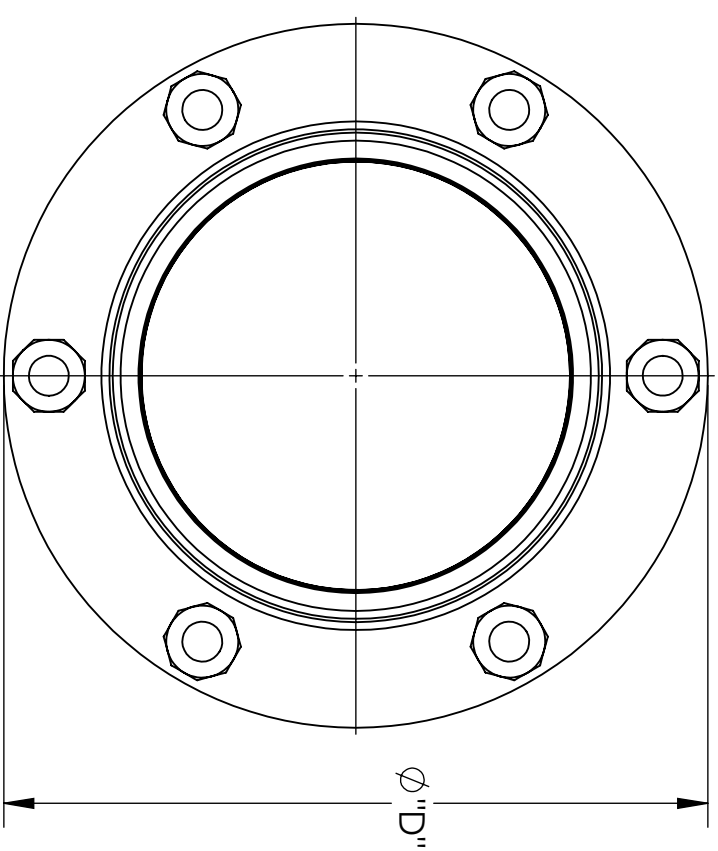
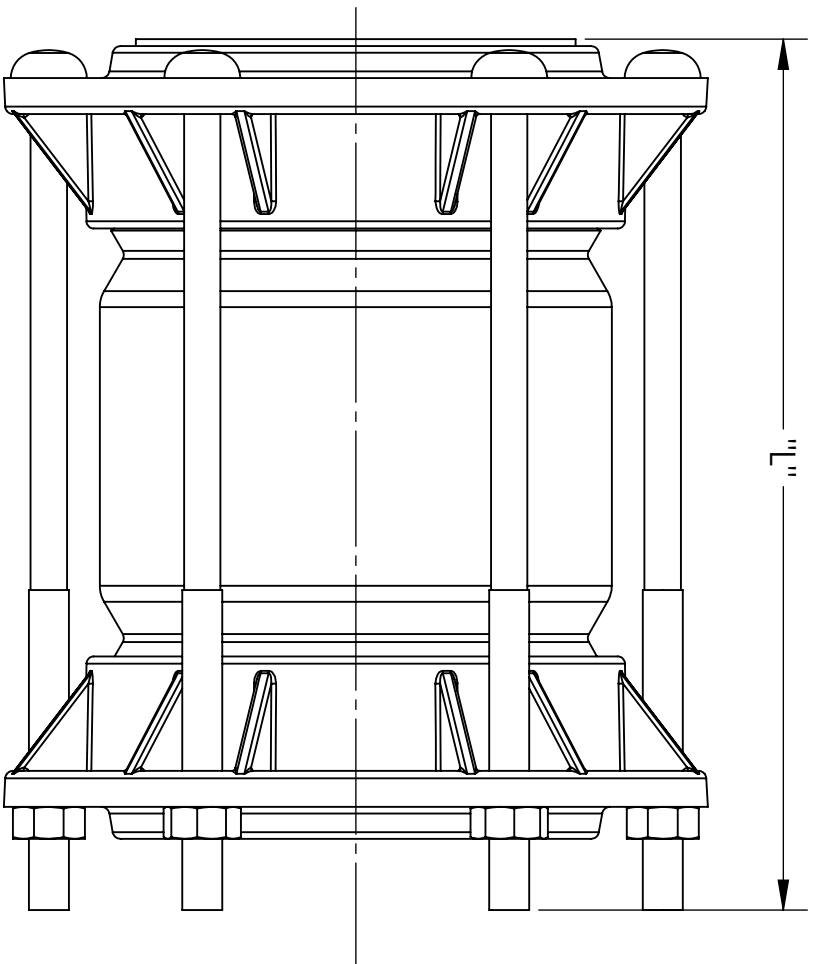
OPTIONS

- Stainless Steel hardware with fluoropolymer coated nuts

NOTES

- Xylem, Smith-Blair, SB stylized, Flexi-Coat, and Maxi-Grip are registered trademarks of Xylem, Inc., or one of its subsidiaries
- These product specifications were correct at the time of publication and are subject to change without notice
- See the Smith-Blair website for part numbers and ordering information
- See the Smith-Blair website for warranty information
- See the Smith-Blair website for corrosion notice

30 Globe Ave, Texarkana, AR 71854
Ph: 870-773-5127 • Fax: 870-773-5212
Toll-Free Numbers: Ph: 800-643-9705 • Fax: 800-648-6792



SEE CATALOG FOR ORDERING DETAILS

PART NUMBER	PIPE SIZE	DIAMETER "D" (IN)	LENGTH "L" (IN)	BOLT QUANTITY	WEIGHT (LBS)
EZ28B7OMG	2.38	6.75	13.50	3	14
EZ38B7OMG	3.50	7.75	13.50	4	19
EZ48B7OMG	4.50	8.50	13.50	4	25
EZ68D7OMG	6.63	11.00	13.50	6	48
EZ88B7OMG	8.63	13.25	13.50	8	61
EZ1008A100MG	10.75	16.50	16.19	12	112
EZ1208B100MG	12.75	18.00	16.19	12	120

TOLERANCES U.N.O.		NOTES:		APP'D	DATE
XX= ±.03	REMOVE BURRS	DO NOT SCALE DWG.	CK'D		
XXX= ±.015	AND SHARP EDGES				
FRACTIONS=					
ANGLES=±1°					
MACH. FIN=					
ALL DIMENSIONS	SCALE:	N/A	DRN	SPW	DATE
ARE IN INCHES.					10/22/2020

TITLE
SPECIFICATION
MAXI-GRIP® EZ™
OILFIELD RESTRAINT COUPLING

SMITH-BLAIR
 TEXARKANA, ARKANSAS

P/N: **VARIOUS**

SPEC_EZ_OILFIELD.DRW 3 OF 3 SHEET
 DWG. NO. 10/22/2020 REV.