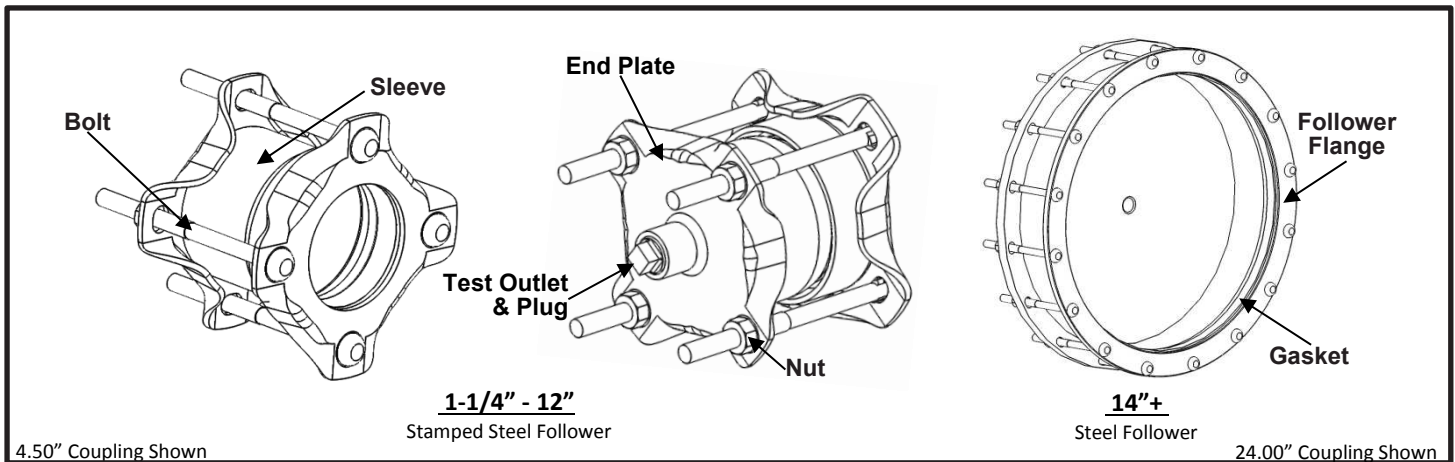


SPECIFICATION

EB SEAL-ONLY

IPS LINE CAP COUPLING



APPLICATIONS

- **Typical Uses**
 - Capping IPS plain end pipes
 - For conductive connection applications
- **Standard Pipe Sizes**
 - 1-1/4" nominal and greater
- **Type of Pipe**
 - Steel
- **Pressure Rating**
 - Working Pressure: 1-1/4" - 1-1/2" nominal pipe size(s) = 150 PSI
2" - 12" nominal pipe size(s) = 400 PSI
14"+ nominal pipe size(s) = 150 PSI
 - Test Pressure = (Working Pressure) x 2

MATERIALS

- **Follower Flange**
 - Material: 1-1/4" - 12" nominal pipe size(s) = ASTM A569 Grade 1008/1010 HR, Carbon Steel
14"+ nominal pipe sizes(s) = ASTM A576 C1020 Carbon Steel
 - Flexi-Coat® fusion bonded epoxy
- **Sleeve**
 - Material: 1-1/4" - 12" nominal pipe size(s) = ASTM A513 Grade 1008/1010 HREW, Carbon Steel
14"+ nominal pipe size(s) = ASTM A283 Grade C, Carbon Steel
 - Standard Length: 5"
 - Flexi-Coat® fusion bonded epoxy
- **End Plate**
 - Material: 1-1/4" - 12" nominal pipe size(s) = ASTM A569 Grade 1008/1010HR, Carbon Steel
14"+ nominal pipe size(s) = ASTM A36, Carbon Steel
 - Resistant to Natural Gas, Natural Gas Odorants, Carbon Dioxide, Water, UV, Ozone, and other chemicals
 - Flexi-Coat® fusion bonded epoxy
- **Gasket**
 - Material: 1-1/4" - 1-1/2" nominal pipe size(s) = Nitrile (Buna-N) ASTM-D2000 Rubber
2"+ nominal pipe size(s) = SBR ASTM-D2000 Rubber
 - Resistant to Natural Gas, Natural Gas Odorants, Carbon Dioxide, Water, UV, Ozone, and other chemicals

SPECIFICATION

EB SEAL-ONLY

IPS LINE CAP COUPLING

- **Bolts**
 - High Strength Low Alloy (HSLA) Steel
 - 5/8"-11UNC, Track-head, barbed for continuity
 - Rolled threads for improved physical characteristics, greater thread accuracy, and smooth surface finish
- **Nuts**
 - HSLA Steel
 - 5/8"-11UNC, X-Heavy Hex Semi-Finished
- **Test Outlet & Plug**
 - Carbon Steel 1" FNPT Coupling
 - Carbon Steel NPT Plug, Square Head
 - Flexi-Coat[®] fusion bonded epoxy finish

REGULATIONS

- Marked in accordance with DOT CFR49-192.63(a)(2)

OPTIONS

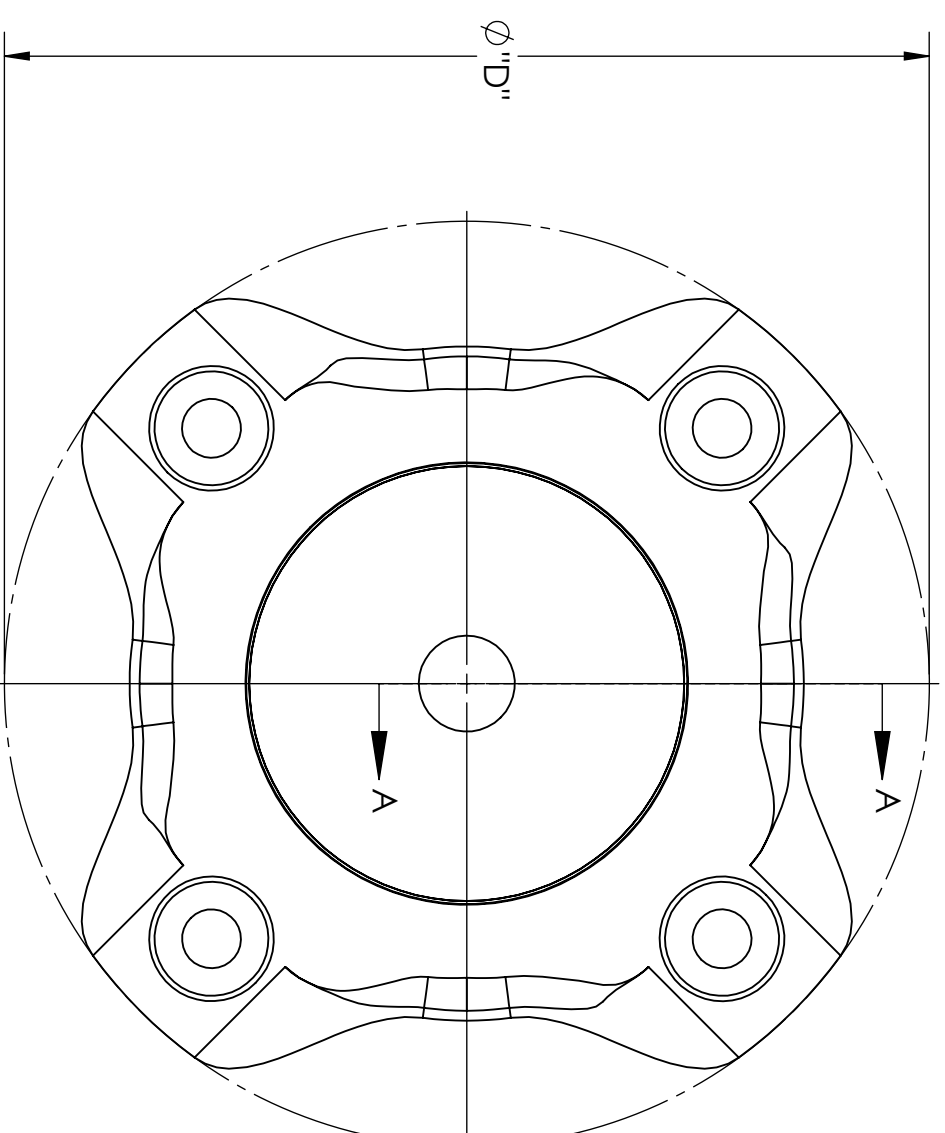
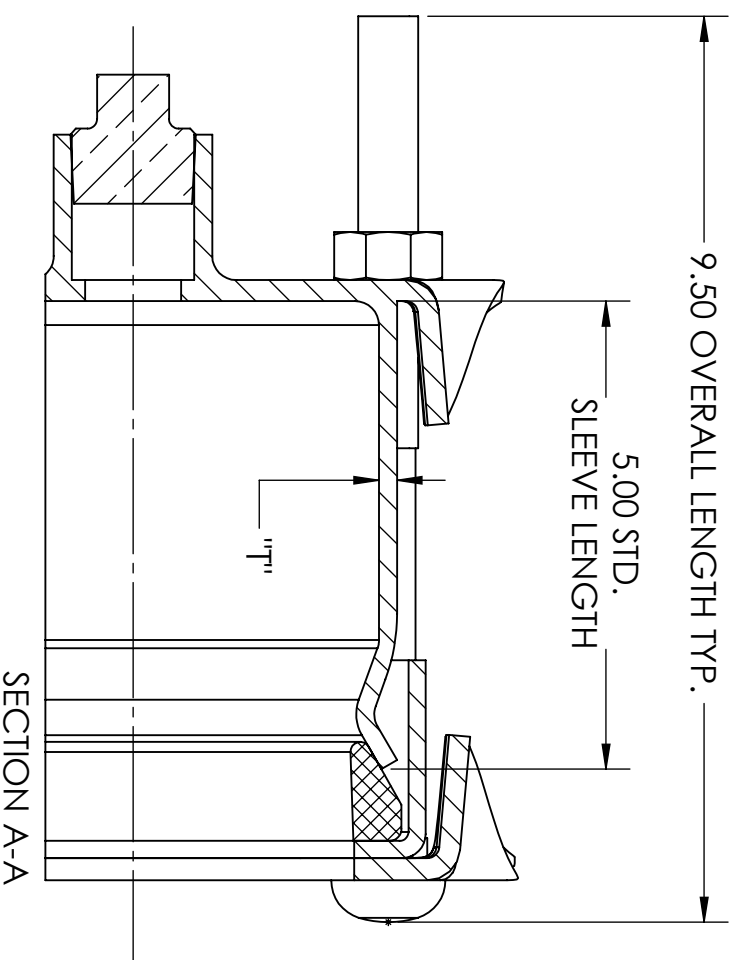
- Stainless Steel hardware with fluoropolymer coated nuts
- Bare Sleeve I.D.
- Conductive Bonded gasket
- EPDM Gasket
- Graphited Fiber gasket
- Nitrile Gasket
- Copper clad conductor for sacrificial node or cathodic protection
- Insulating components

NOTES

- Additional specifications available for Cast Iron applications
- Flexi-Coat[®] is a registered trademark of Smith-Blair, Inc.
- These product specifications were correct at the time of publication and are subject to change without notice
- See the Smith-Blair website for part numbers and ordering information
- See the Smith-Blair website for warranty information
- See the Smith-Blair website for corrosion notice



THIS PRODUCT DOES NOT RESTRAIN PIPE MOVEMENT. Proper anchoring is required to prevent pipe pullout. Failure to anchor or improper anchoring can result in dangerous pipe content escape, property damage, serious injury, or death. Read the product installation instructions prior to installing this product.



SEE CATALOG FOR ORDERING DETAILS
 5" SLEEVE, PLAIN GASKET CONFIGURATION SHOWN, OTHER CONFIGURATIONS AVAILABLE
 CONTACT SMITH-BLAIR FOR AVAILABLE SIZES AND PART NUMBERS

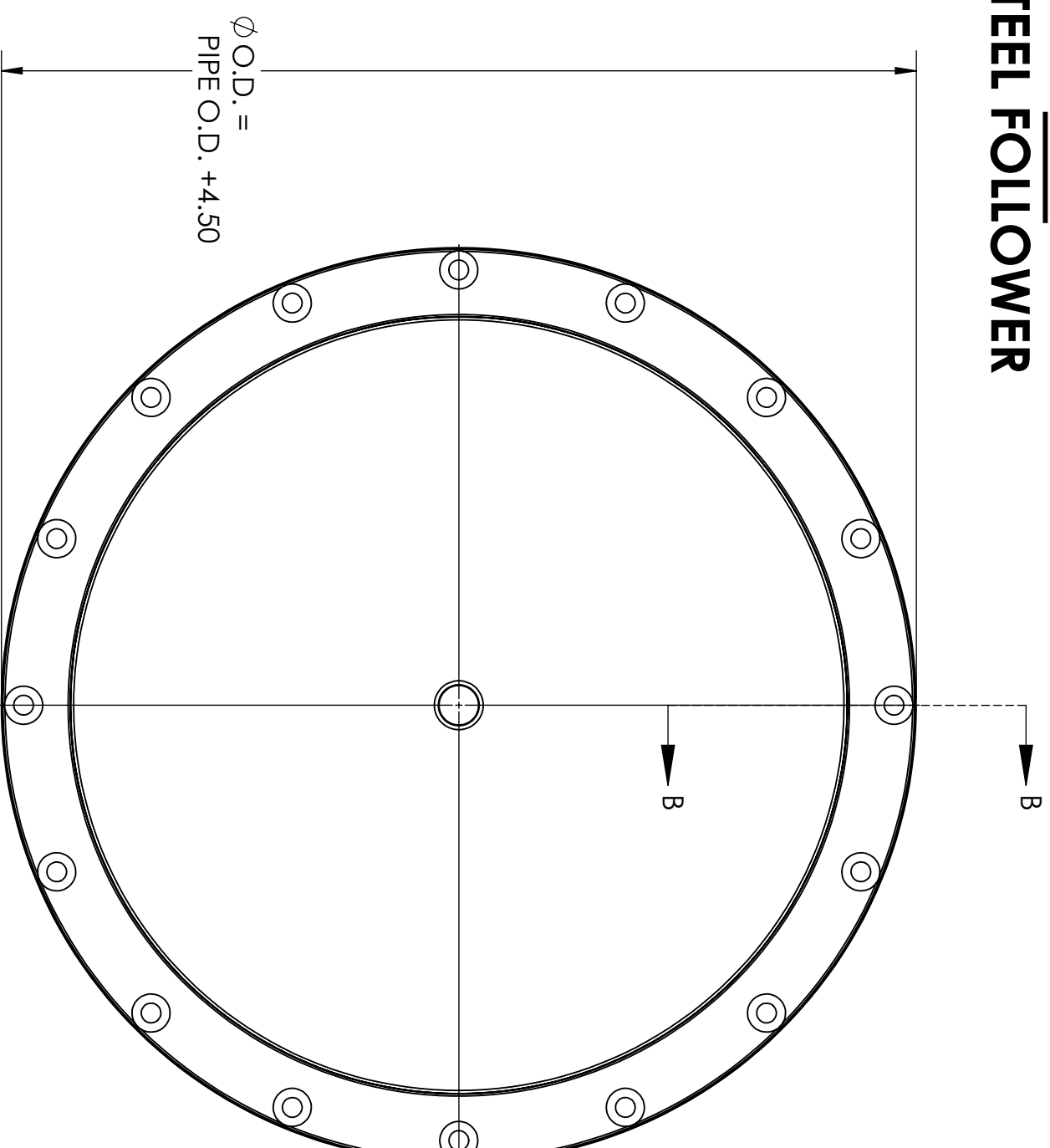
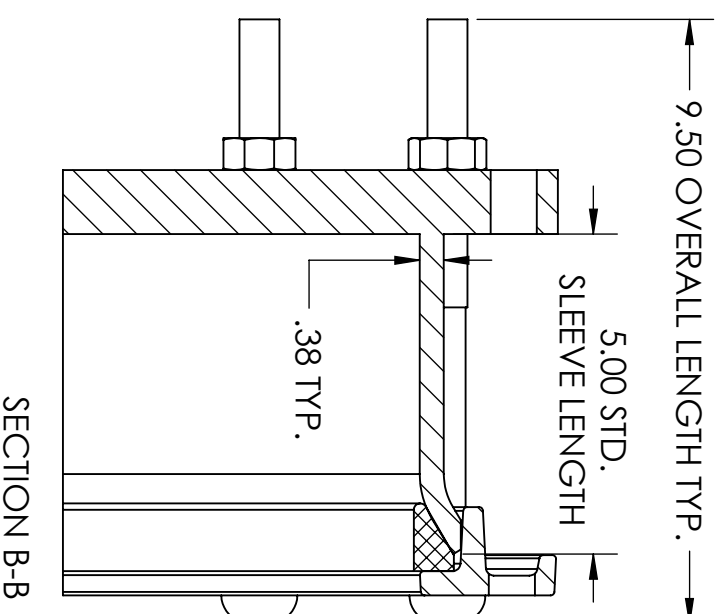
PIPE DIAMETER	PART NUMBER	SLEEVE THICKNESS ".125"	DIAMETER "D"	BOLT QUANTITY	WEIGHT (LBS)
1.66	EB1VP	.12	6.75	2	4
2.38	EB2VP	.16	6.75	3	11
3.50	EB3VP	.16	7.75	4	16
4.50	EB4VP	.19	8.50	4	18
6.63	EB6VP	.25	11.00	6	30
8.63	EB8VP	.25	13.50	6	36
10.75	EB10VP	.25	15.15	8	60
12.75	EB12VP	.25	18.00	8	72

TOLERANCES U.N.O. XX= ±.03 XXX= ±.015 FRACTIONS= ANGLES=±1° MACH. FIN= ALL DIMENSIONS ARE IN INCHES.	NOTES: REMOVE BURRS AND SHARP EDGES. DO NOT SCALE DWG. SCALE: N/A	APP'D	DATE
		CK'D	DATE
		DRN	10/11/16

SPECIFICATION
EB Seal-Only Coupling
IPS Line Cap

TITLE		P/N	DATE
SMITH-BLAIR, Inc.		N/A	
TEXARKANA, ARKANSAS			
DWG. NO.		REV.	
EB IPS.DRW		3 OF 4 SHEET	11/4/16

14"± STEEL FOLLOWER



SEE CATALOG FOR ORDERING DETAILS
 .38" X 5" SLEEVE CONFIGURATION SHOWN, OTHER CONFIGURATIONS AVAILABLE
 CONTACT SMITH-BLAIR FOR AVAILABLE SIZES AND PART NUMBERS

TOLERANCES U.N.O.		NOTES:		APP'D	DATE
XX= ±.03	XXX= ±.015	REMOVE BURRS	AND SHARP EDGES	CK'D	DATE
FRACTIONS=		DO NOT SCALE DWG.		DRN	DATE
ANGLES=+1°		SCALE:	N/A	SPW	10/11/16
MACH. FIN=		ALL DIMENSIONS ARE IN INCHES.			

TITLE
SPECIFICATION
 EB Seal-Only Coupling
 IPS Line Cap

P/N		N/A
SMITH-BLAIR, Inc.		
TEXARKANA, ARKANSAS		
DWG. NO.	EB IPS.DRW	11/4/16
4	OF 4	REV.
SHEET		