

# Instruction Guide

## Models 401C, 403C, 405C, 401STC, 403STC, 405STC, 401FC, 403FC, 405FC

Replacement motors 45DR, 46DR, 47DR

### TOURNAMENT SERIES LIVWELL/BAITWELL PUMPS

#### Description

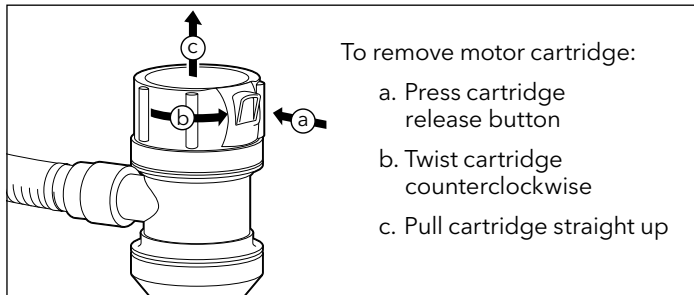
Powerful and long lasting, Rule Tournament Series Cartridge Pumps offer outstanding performance as well as the versatility of replacing the motor cartridge if the motor expires. The cartridge feature also allows complete access to the impeller for easy cleaning and maintenance. Replacing the motor cartridge only allows the fitting and hose to remain totally intact.

#### To Change Motor Cartridge

1. Block off the thru-hull before removing the motor cartridge.
2. Turn off power to the pump then disconnect wiring to cartridge.
3. Press cartridge button, twist counterclockwise and pull motor cartridge straight up.
4. Reconnect wire to new motor cartridge.
5. Align the arrows and press the new motor cartridge down firmly. Twist motor housing clockwise until cartridge locks in place. A "click" should be heard when the cartridge is locked.

#### ⚠ WARNING

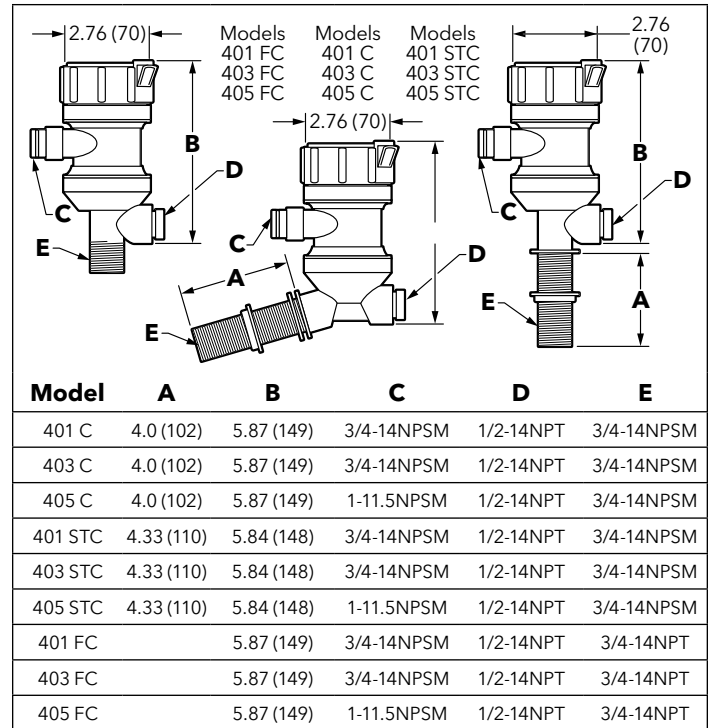
**The operator of the vessel should ensure the motor cartridge is in the fully locked position at all times when the vessel is in the water. Failure to place the motor cartridge in the fully locked position could result in water intrusion, flooding, property damage, severe personal injury and/or death.**



### MODELS

Model #	Description	Required Fuse Size (A)	GPH at Open Flow	GPH at 3.35 ft.
401 C	500 GPH Livewell Pump with Angled Pickup Tube	3	500	340
403 C	800 GPH Livewell Pump with Angled Pickup Tube	5	800	490
405 C	1000 GPH Livewell Pump with Angled Pickup Tube	6	1000	710
401 STC	500 GPH Livewell Pump with Straight Pickup Tube	3	500	340
403 STC	800 GPH Livewell Pump with Straight Pickup Tube	5	800	490
405 STC	1100 GPH Livewell Pump with Straight Pickup Tube	6	1100	790
401 FC	500 GPH Livewell Pump with 1" Straight Pickup Tube	3	500	340
403 FC	800 GPH Livewell Pump with 1" Straight Pickup Tube	5	800	490
405 FC	1100 GPH Livewell Pump with 1" Straight Pickup Tube	6	1100	790
<b>Replacement Motors</b>				
45DR	500 GPH Replacement Motor	3	500	340
46DR	800 GPH Replacement Motor	5	800	490
47DR	1000 GPH Replacement Motor	6	1100	790

### DIMENSIONS inches (mm)



#### ⚠ WARNING

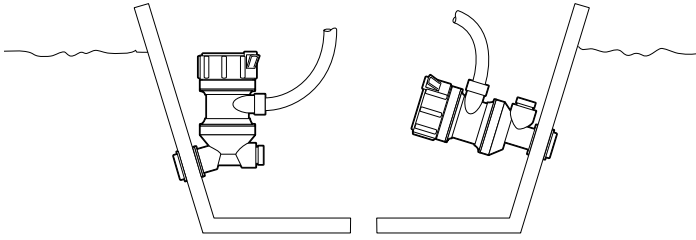
**This pump is designed for water only. Use with any other medium, including flammable, hazardous, caustic or corrosive fluid, may result in damage to the pump, the surrounding environment, property damage, severe personal injury and/or death.**

#### ⚠ WARNING

**High speed water intake scoops can damage the pump and possibly flood the hull.**

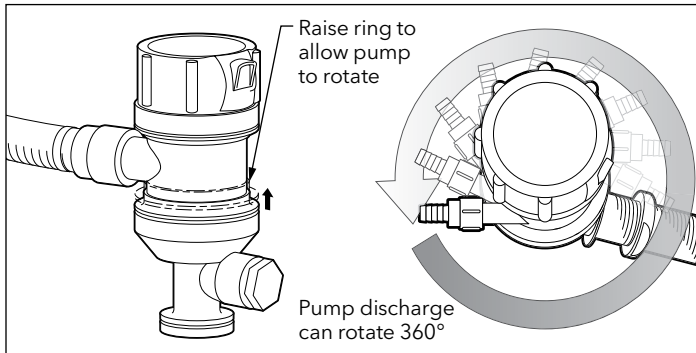
## MOUNTING THE PUMP

Models 401 C, 403 C, 405 C, 401 STC, 403 STC, 405 STC



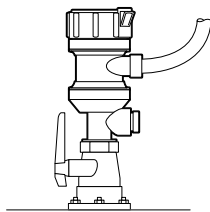
1. Drill a 1" diameter hole through the transom or hull bottom. If drilling through the transom, make sure the hole inside the boat is beneath the waterline outside the boat when the boat is standing still.
2. Place the pump into the hole with the gasket in place on the inside of the boat.
3. Tighten the nut on the outside of the hull until you are sure the gasket ring is tightly sealed. Be careful not to overtighten. Make sure outlet is at least parallel with boat bottom. This helps prevent airlocks.
4. Saw off the excess length of the pickup tube so it is flush with the outside surface of the nut. In the event you are using a strainer (Rule Model 73), leave 1/2" beyond the nut. Make sure the cut is square and the threads deburred to allow the debris strainer to fit smoothly.

By lifting the locking ring, you can rotate the position of the discharge nozzle so that the discharge is facing toward the tank (see diagram below).



### Models 401 FC, 403 FC, 405 FC Seacock applications

1. Drill a 1" diameter hole through the transom or hull bottom. If drilling through the transom, make sure the hole inside the boat is beneath the waterline outside the boat when the boat is standing still.



2. Install a thru-hull pickup tube with a filter grate to prevent debris from entering the seacock and the pump. Use a marine sealant on the flat surface of the thru-hull where it will be in contact with the outside surface of the boat and around the threaded tube on both sides of the hull. Install the seacock and pump using pipe tape or sealant on all threaded connections.
3. Screw the pump into the seacock until it is hand tight. Do not over-tighten.
4. If the pump is mounted horizontally, the output must be pointed upward to allow air to vent.

### ⚠ WARNING

Failure to keep the seacock closed when the livewell is not in use could lead to water intrusion, flooding, property damage, severe personal injury and/or death.

## ELECTRICAL

**Wire:** Normal installations require 16 gauge wire.

**Polarity:** Brown pump wire connects to the positive (+) side of the battery. Black pump wire connects to the negative (-) side of the battery.

**Fuse:** Install proper size fuse & holder in the positive (+) brown wire between the pump and the battery.

- 500 GPH pumps (Models 401 C, 401 STC, 401 FC)  
**INSTALL A 3.0 AMP FUSE**
- 800 GPH pumps (Models 403 C, 403 STC, 403 FC)  
**INSTALL A 5.0 AMP FUSE**
- 1100 GPH pumps (Models 405 C, 405 STC, 405 FC)  
**INSTALL A 6.0 AMP FUSE**

### IMPORTANT – THIS PRODUCT SHOULD BE INSTALLED WITH THE RECOMMENDED FUSE SIZE

**Note:** Keep all wire connections and joints above highest possible water level. Seal wire connections with a marine sealant to prevent corrosion.

## HOSE CONNECTION

### Dual Port Option

Each pump is fitted with an additional 1/2" NPT female port and Hex Plug. This feature allows you to add your washdown pump without adding another thru-hull fitting.

- Use a marine ribbed hose that will not kink with bends and is rated for below water line use.
- Hose should run uphill evenly from pump to livewell tank. You may use a control valve to regulate the flow.
- Use hose clamps when making connections to pump and valve.

### ⚠ CAUTION

The pump is below the waterline. Water can come into the boat through the pump if the hose is not connected tightly to the pump.

XYLEM LIMITED WARRANTY WARRANTS THIS PRODUCT TO BE FREE OF DEFECTS AND WORKMANSHIP FOR A PERIOD OF 3 YEARS. THE WARRANTY IS EXCLUSIVE AND IN LIEU OF ANY AND ALL OTHER EXPRESS OR IMPLIED WARRANTIES, GUARANTEES, CONDITIONS OR TERMS OF WHATEVER NATURE RELATING TO THE GOODS PROVIDED HEREUNDER, INCLUDING WITHOUT LIMITATION ANY IMPLIED WARRANTIES OF MERCHANTABILITY AND FITNESS FOR A PARTICULAR PURPOSE, WHICH ARE HEREBY EXPRESSLY DISCLAIMED AND EXCLUDED. EXCEPT AS OTHERWISE PROVIDED BY LAW, BUYER'S EXCLUSIVE REMEDY AND SELLER'S AGGREGATE LIABILITY FOR BREACH OF ANY OF THE FOREGOING WARRANTIES ARE LIMITED TO REPAIRING OR REPLACING THE PRODUCT AND SHALL IN ALL CASES BE LIMITED TO THE AMOUNT PAID BY THE BUYER HEREUNDER. IN NO EVENT IS SELLER LIABLE FOR ANY OTHER FORM OF DAMAGES, WHETHER DIRECT, INDIRECT, LIQUIDATED, INCIDENTAL, CONSEQUENTIAL, PUNITIVE, EXEMPLARY OR SPECIAL DAMAGES, INCLUDING BUT NOT LIMITED TO LOSS OF PROFIT, LOSS OF ANTICIPATED SAVINGS OR REVENUE, LOSS OF INCOME, LOSS OF BUSINESS, LOSS OF PRODUCTION, LOSS OF OPPORTUNITY OR LOSS OF REPUTATION. THIS WARRANTY IS ONLY A REPRESENTATION OF THE COMPLETE LIMITED WARRANTY. FOR A DETAILED EXPLANATION, PLEASE VISIT US AT [www.xylemflowcontrol.com/support/](http://www.xylemflowcontrol.com/support/), CALL OUR OFFICE NUMBER LISTED, OR WRITE A LETTER TO YOUR REGIONAL OFFICE.

[www.rule-industries.com](http://www.rule-industries.com)

**Jabsco**, 100 Cummings Center, Ste. 535-N, Beverly, MA 01915  
Tel: +1 978 281 0440 Fax: +1 978 283 2619

**Jabsco**, Bingley Road, Hoddesdon, Hertfordshire, EN11 0BU  
Tel: +44 (0) 1992 450 145 Fax: +44 (0) 1992 467 132

**NHK Jabsco Co Ltd**, 3-21-10, Shin - Yokohama Kohoku-ku, Yokohama 222  
Tel: +81 (0) 45 475 8906 Fax: +81 (0) 45 475 8908

**Jabsco GmbH**, Oststraße 28, 22844 Norderstedt  
Tel: +49 (0) 40 53 53 73 0 Fax: +49 (0) 49 53 53 73 11

**Jabsco Italia, s.r.l.**, Via Tommaseo, 6, 20059 Vimercate, Milano  
Tel: +39 039 685 2323 Fax: +39 039 666 307

USA

UK

JAPAN

GERMANY

ITALY

**rule**  
a xylem brand