

Mounting Kit For Transmitters

Local Mounting Kit with rainroof

The Mounting Kit is used for mounting of MJK transmitters series 700 in outdoor installations.

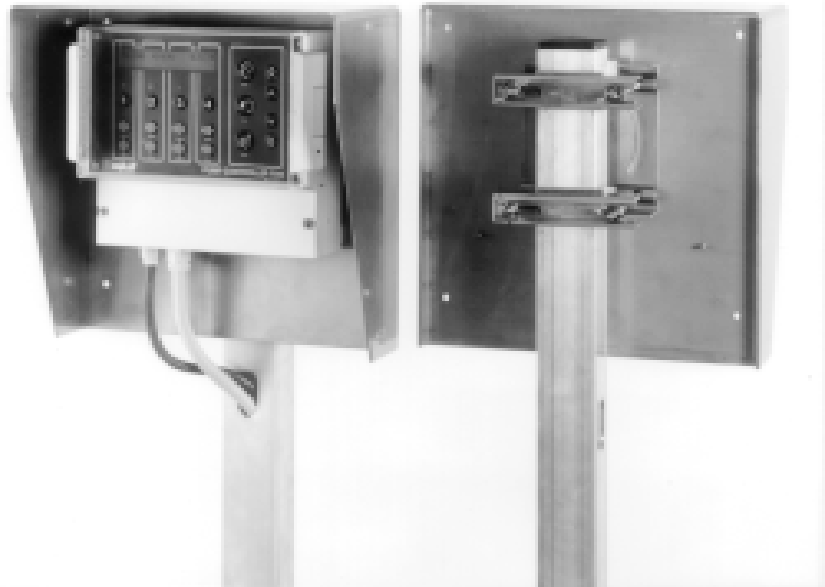
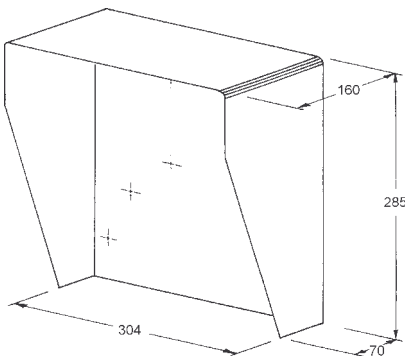
In many outdoor installations it is practical to use the rainroof as the cabinet of the transmitter is only tight when the cover is closed. The rainroof protects during operation in bad weather and it also gives a good mechanical protection.

The Mounting Kit is manufactured in acid proof steel. No additional surface treatment is necessary as well as it keeps its finish even after many years of application in aggressive substances. The transmitter is fixed with three screws in the back plate. The rainroof is secured with bolts on a stand or rail with the universal bracket shown on the opposite page.

Specifications

Outside diam.:	285 x 304 mm (HxW)
Depth:	160 mm
Material:	Steel plate AISI 316 L
Part number:	200115
Universal bracket:	200205

Dimensions



Panel Mounting Kit

The Panel Mounting Kit is used for the mounting of MJK transmitters series 700 in front panels and panel covers.

The Panel Mounting Kit consists of a cassette in which the original plastic cabinet is placed.

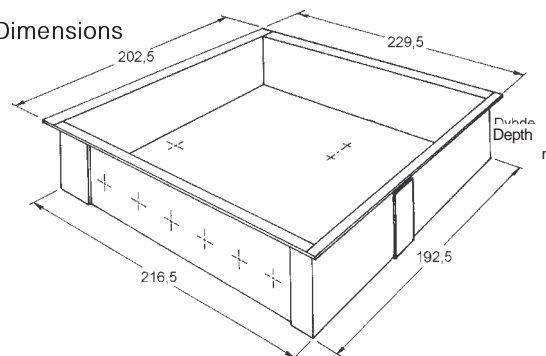
The cabinet is then secured with three screws. The cassette is placed in the panel cut-out and secured with the bracket supplied. The electrical connections are made from the front and the terminal box is covered by the original cover. When using the Mounting Kit, the protection IP 65 of the plastic cabinet is preserved.

As accessories we deliver a covering frame for the cabinet for replacement of the opening cover. If this covering frame is used the protection is reduced to IP 22.

Specifications

Outside diam.:	202,5 x 229,5 mm (HxW)
Cut-out:	193 x 217 mm (+1,-0 mm)
Depth in panel:	65 mm
Material:	Steel plate
Finish:	Electro galvanized and powder varnished
Colour:	Grey, RAL 7035
Part number:	200105
Covering frame:	200020

Dimensions



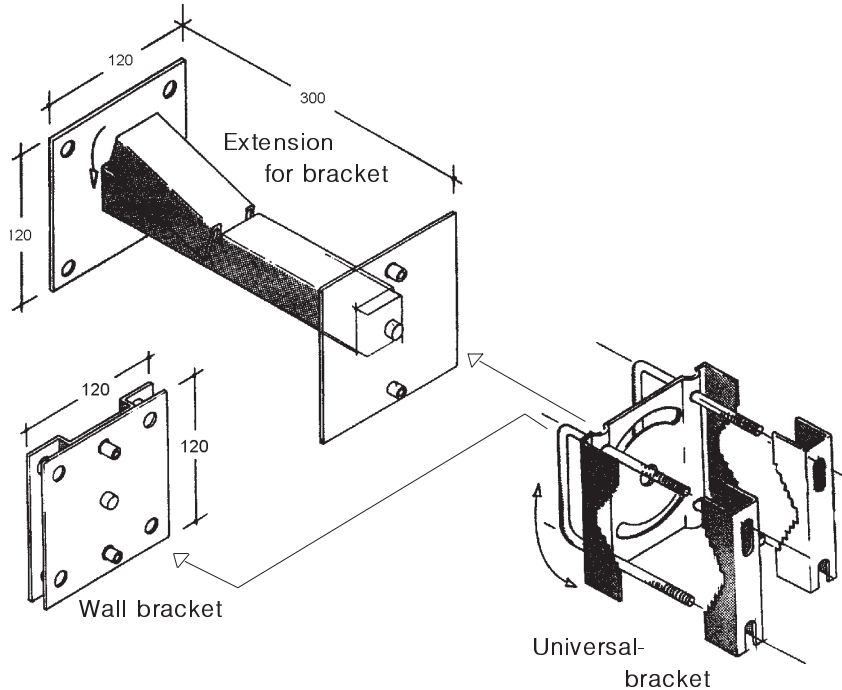
Universal Bracket

General

The shown system of universal bracket is developed for securing of fittings and sensors on tanks and in open channels. The construction is especially suited for sewage plant, which demands simple mounting and easy disassembly for calibration and cleaning of the measuring equipment. In order to obtain the best possible resistance to corrosion, everything is manufactured in acid proof steel.

The universal bracket is suitable for level, flow, pH, redox, temperature and suspended solid meters and suction lines for sampling. The brackets are suitable for MJK equipment and also other products.

The brackets consist of three parts, namely:
 The bracket to which the sensor or the fitting are secured, a wall bracket to be secured by bolts on the side of a channel and an extension, divided in two, so the bracket with the fitting can be disconnected for cleaning and adjustment.



Special features

- Manufactured in stainless steel, suited for sewage plant.
- Sturdy design.
- Adjustable, so the fitting can be placed in the right direction.
- The extension is separated with a release which is affected with the foot - so you do not have to hang out of the edge in order to clean the sensor.
- The brackets can be combined in several ways and mounted on the channel and tank sides and rails.

Application

The universal bracket is mounted on a channel or basin edge with a wall bracket or with an extension. Two universal brackets can be mounted against each other, perhaps with an extension, so it can be secured on a round stand or rail.

Order numbers

Part no.:	Description:
200205	Universal bracket
200210	Wall bracket
200215	Extension for bracket

Specifications

Universal bracket:	
Dimensions:	120 x 120 x 125 mm (HxWxD)
Fitting:	Minimum: ø20 mm
	Maximum: ø80 mm
Weight:	0,8 kg
Material:	AISI 316 L
Wall bracket:	
Dimensions:	120 x 120 x 15 mm (HxWxD)
Weight:	0,5 kg
Material:	AISI 316 L
Extension:	
Dimensions:	120 x 120 x 300 mm (HxWxD)
Weight:	1,6 kg
Material:	AISI 316 L