

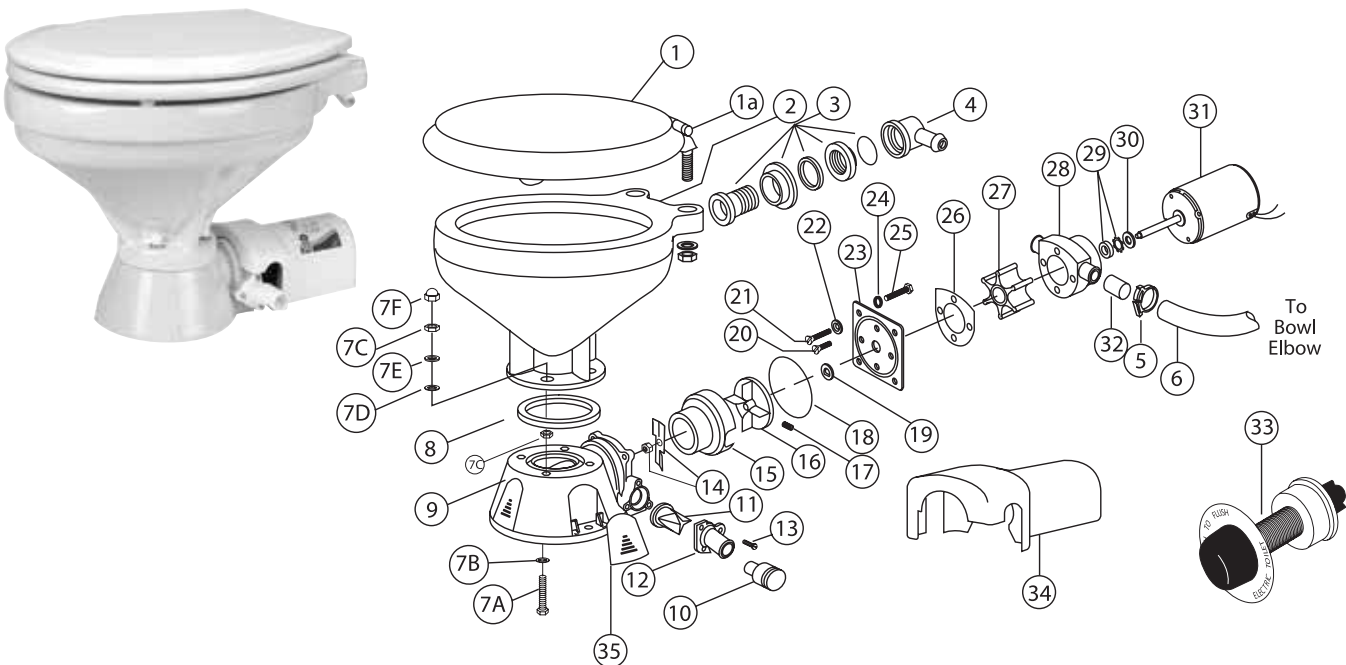
# 13 Service Parts

ELECTRIC TOILETS



37010 SERIES ELECTRIC TOILETS							
KEY	DESCRIPTION	MODEL NUMBER	QTY PER TOILET	KEY	DESCRIPTION	MODEL NUMBER	QTY PER TOILET
<b>1</b>	Seat & Cover, Compact	29097-1000	1	<b>17</b>	Set Screw	91084-0320	† 1
	Seat & Cover, Regular	29127-1000	1	<b>18</b>	O-Ring	43990-0066	* † 1
<b>1A</b>	Hinge Set (1 pair)		1	<b>19</b>	Sealing Sleeve	37036-1000	† 1
	Compact Toilet	29098-1000		<b>20</b>	Screw	91009-0096	† 2
	Regular Toilet	29098-2000		<b>21</b>	Screw	91010-0130	† 2
<b>2</b>	Bowl, Compact Toilet	29096-0000	1	<b>22</b>	Washer, Plastic		* † 2
	Bowl, Regular Toilet	29126-0000	1	<b>23</b>	Wearplate ‡	37018-0000	† 1
<b>3 &amp; 4</b>	Bowl Spud, Intake Elbow and O-Ring	58107-1000	1	<b>24</b>	Lock Washer #10, Stainless Kit		† 4
<b>5</b>	Hose Clip		1	<b>25</b>	Screw	91027-0011	† 4
<b>6</b>	Hose	29035-1001	1	<b>26</b>	Gasket	12558-0000	* † 1
<b>7</b>	Bowl Installation Hardware	18753-0637	1	<b>27</b>	Flexible Impeller	6303-0003	* † 1
<b>7A</b>	Phillips Head Screw**		4	<b>28</b>	Body	12554-0000	† 1
<b>7B</b>	Washer, Starlock**		4	<b>29</b>	Seal and Retainer	1040-0000	* † 1
<b>7C</b>	Hex Nut (two places)**		4	<b>30</b>	Slinger	6342-0000	† 1
<b>7D</b>	Washer, Plastic**		4	<b>31</b>	Motor 12V	37064-0000	† 1
<b>7E</b>	Washer, Stainless Steel**		8		Motor 24V	37065-0000	† 1
<b>7F</b>	Nut Cap**		4	<b>32</b>	Adapter	93003-0240	2
<b>8</b>	O-Ring Bowl/Seal	44101-1000	1	<b>33</b>	Switch and Plate	37020-0000	1
<b>9</b>	Base Assembly**	37004-1000	1	<b>34</b>	Motor Cover	43990-0051	1
<b>10</b>	1" to 1-1/2" (25 to 38mm) Hose Adapter	98023-0080	1	<b>35</b>	Screw Cover (3 each)	37003-1000	1
<b>11</b>	Joker Valve**	44106-1000	* 1		Service Kit	37040-0000	
<b>12</b>	1" (25mm) Discharge Port**	44107-1000	1		Motor/Pump Assy. 12V	37041-0010	†
<b>13</b>	Screw**	96050-0568	3		Motor/Pump Assy. 24V	37041-0011	†
<b>14</b>	Chopper Plate with Lock Nut	37056-1000	† 1				
<b>15</b>	Macerator Housing	37014-0000	† 1				
<b>16</b>	Centrifugal Impeller	37006-0000	† 1				

\* Parts supplied with Service Kit 37040-0000.  
 \*\* Parts included with base 37004-1000.  
 ‡ Wearplate #23 includes Sealing Sleeve #19 and Pump/Base O-Ring #18.  
 † Parts included in Motor/Pump Assembly.



37045 & 37245 SERIES QUIET FLUSH TOILETS

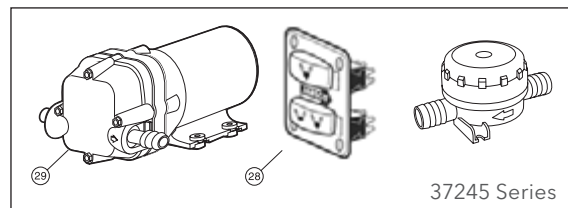
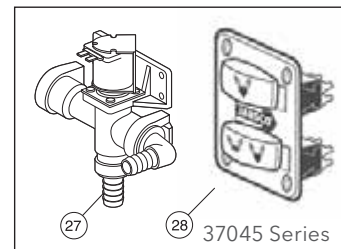
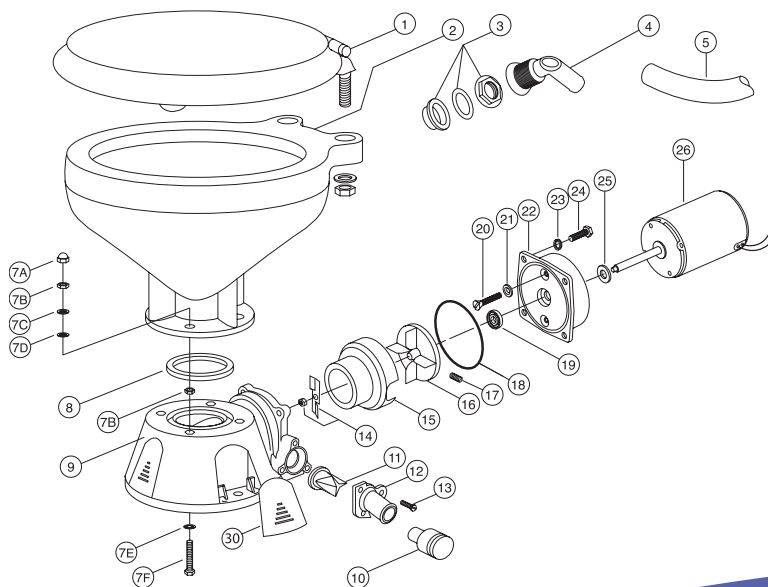
KEY	DESCRIPTION	MODEL NUMBER	QTY PER TOILET
1	Seat & Cover, Compact	29097-1000	1
	Seat & Cover, Regular	29127-1000	1
1A	Hinge Set (1 pair)		1
	Compact Toilet	29098-1000	
	Regular Toilet	29098-2000	
2	Bowl, Compact Toilet	29096-0000	1
	Bowl, Regular Toilet	29126-0000	1
3	Intake Seal	58107-1000	1
4	Intake Elbow and O-Ring	58107-1000	1
5	Hose, 6' (1.8m)	29035-1031	1
6	Motor Cover	37042-1000	1
7	Bowl Installation Hardware	18753-0637	1
7A	Nut Cap**		4
7B	Hex Nut**		4
7C	Washer, Stainless Steel**		4
7D	Washer, Plastic**		4
7E	Hex Head Screw**		4
8	O-Ring	44101-1000	* 1
9	Base Assembly**	37004-1000	1
10	1" to 1/2" (25 to 13mm) Hose Adapter	98023-0080	1
11	Joker Valve**	44106-1000	* 1
12	1" to 1-1/2" (25 to 38mm) Hose Adapter	44107-1000	1
13	Screw**	96050-0568	3
14	Chopper Plate with Lock Nut	37056-1000	† 1
15	Macerator Housing	37014-0000	† 1
16	Centrifugal Impeller	37006-0000	† 1
17	Set Screw	91084-0320	† 1
18	O-Ring	43990-0066	* † 1
19	Seal	1040-0000	† 1

KEY	DESCRIPTION	MODEL NUMBER	QTY PER TOILET
20	Screw		† 2
21	Washer, Plastic	35445-0000	* † 2
22	Seal Housing	37043-1000	† 1
23	Lock Washer, Stainless Steel		† 4
24	Screw	91027-0011	† 4
25	Slinger	6342-0000	† 1
26	Motor 12V	18753-0554	† 1
	Motor 24V	18753-0555	1
27	Solenoid Valve and Siphon Breaker 12V	37038-1012	1
	Solenoid Valve and Siphon Breaker 24V	37038-1024	1
28	Switch Panel	37047-2000	1
29	Rinse Pump 12V	31631-0092	1
	Rinse Pump 24V	31631-0094	1
30	Screw Cover (3 each)	37003-1000	1
31	Pumpgard™	46400-0000	1
	Service Kit	90197-0000	
	Motor & Waste Pump Assembly 12V	37072-0092	1
	Motor & Waste Pump Assembly 24V	37072-0094	1

\* Parts supplied with Service Kit.  
 \*\* Parts included with base 37004-1000.  
 † Parts supplied with Motor & Waste Pump Assembly.



37045 Exploded View



See page 242 for pump exploded view.

# 13 Service Parts

ELECTRIC TOILETS

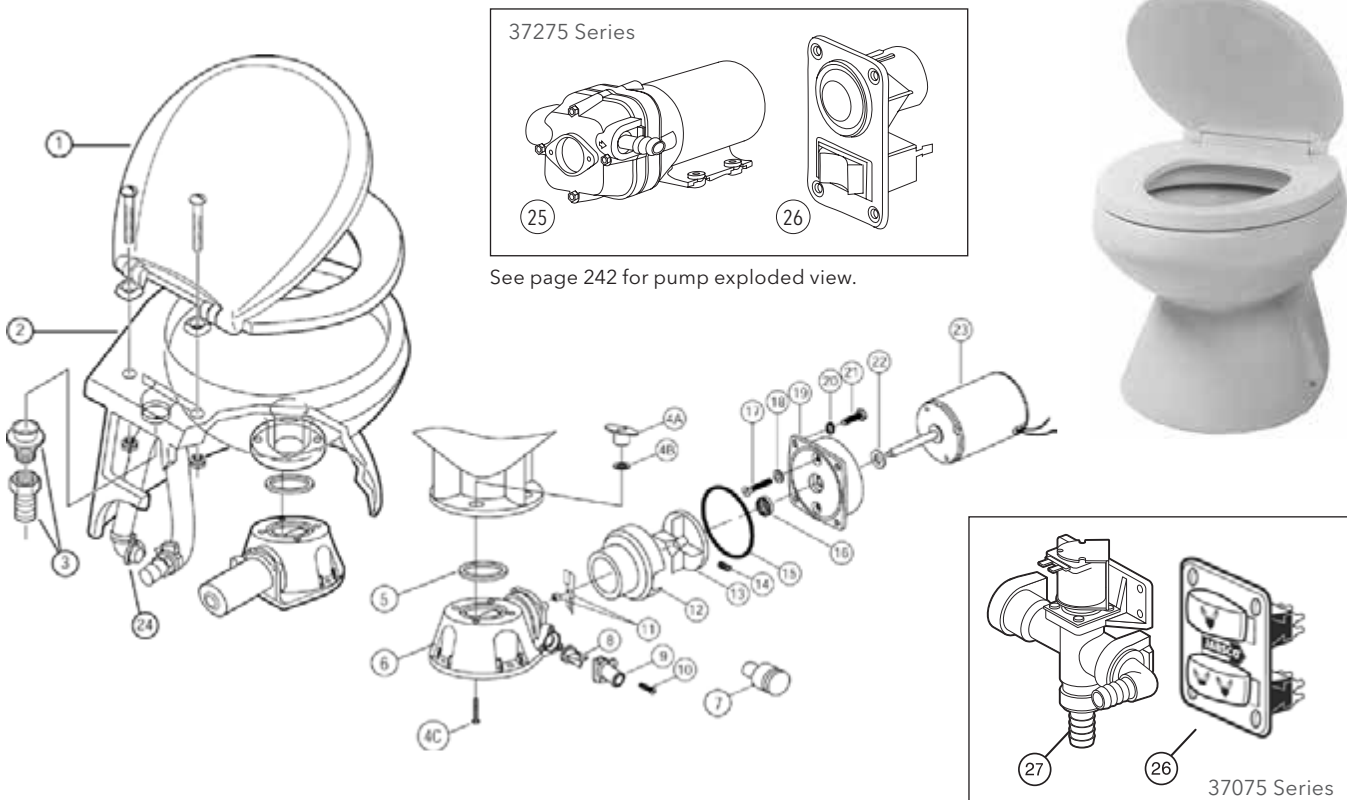


## 37275 & 37075 SERIES DESIGNER STYLE ELECTRIC TOILETS (DISCONTINUED)

KEY	DESCRIPTION	MODEL NUMBER	QTY PER TOILET	KEY	DESCRIPTION	MODEL NUMBER	QTY PER TOILET
1	Seat & Cover	37078-1000	1	19	Seal Housing	37043-1000	1
2	Bowl, Compact Size, White	37076-0010	1	20	Lock Washer #10, Stainless Steel		4
3	Bowl Spud & Barbed Adapter	18753-0609	1	21	Screw	91027-0011	4
4	Bowl Installation Hardware	18753-0604	1	22	Slinger	6342-0000	1
4A	Tee Nut**		4	23	Motor 12V	18753-0554	1
4B	Washer, Plastic**		4		Motor 24V	18753-0555	1
4C	Socket Head Screw**		4	24	Evacuation Hose Kit	37087-0000	1
5	Gasket	37017-0000 *	1	25	Rinse Pump 12V EMC	31631-0092	1
6	Base Assembly**	37004-1000	1		Rinse Pump 24V EMC	31631-0094	1
7	1" to 1-1/2" (25 to 38mm) Hose Adapter	98023-0080	1	26	Switch Panel	37047-2000	1
8	Joker Valve**	44016-1000 *	1		Service Kit	90197-0000	1
9	1" (25mm) Discharge Port**	37077-1000	1		Motor & Waste Pump Assembly 12V	37072-0092	1
10	Screw**	96050-0568	3		Motor & Waste Pump Assembly 24V	37072-0094	1
11	Chopper Plate with Lock Nut	37056-1000	1	27	Solenoid Valve & Siphon Breaker 12V	37038-1012	1
12	Macerator Housing	37014-0000	1		Solenoid Valve & Siphon Breaker 24V	37038-1024	1
13	Centrifugal Impeller	37006-0000	1		Pumpgard™	46400-0000	1
14	Set Screw	91084-0320	1				
15	O-Ring	43990-0066 *	1				
16	Seal	1040-0000	1				
17	Screw		2				
18	Washer, Fiber	35445-0000 *	2				

\* Parts supplied with Service Kit.

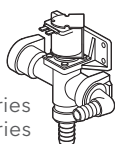
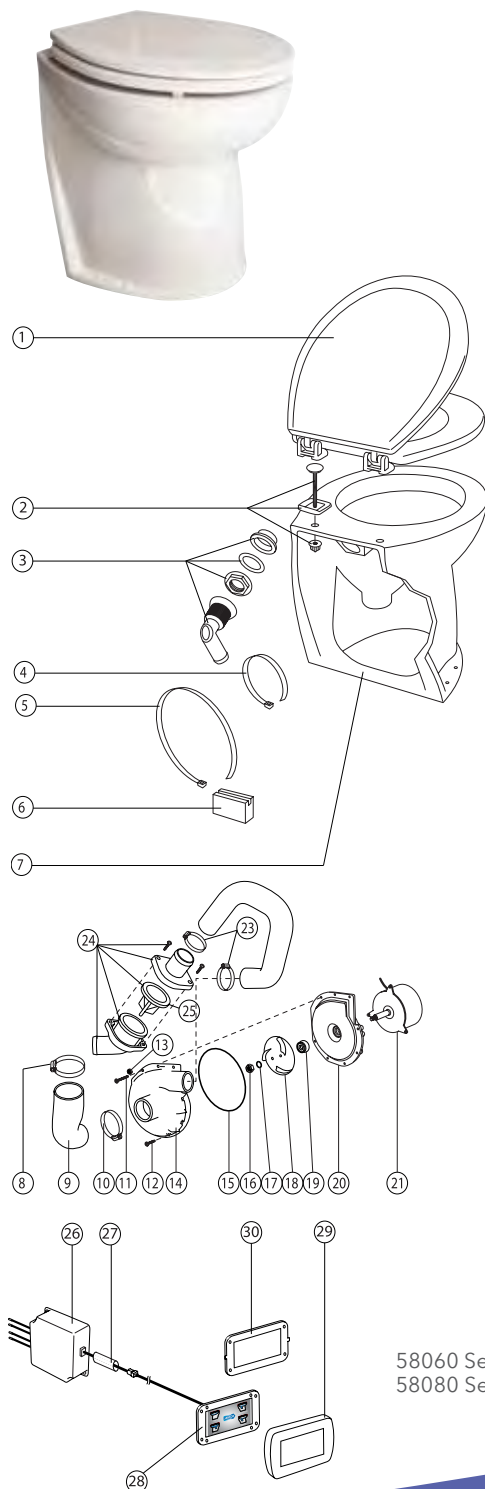
\*\* Parts included with base 37004-1000.



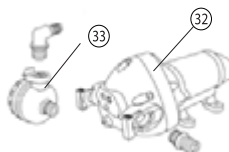
58060, 58260, 58080 & 58280 DELUXE FLUSH 14" & 17" ELECTRIC TOILETS

SERVICE KITS AVAILABLE		
KIT	MODEL NUMBER	DESCRIPTION
A	58100-2000	Major Service Kit
B	58103-1012	Pump Assembly 12V
	58103-1024	Pump Assembly 24V
C	58029-1000	Control Kit

KEY	DESCRIPTION	QTY PER TOILET	MODEL NUMBER	QTY PER SERVICE KIT		
				A	B	C
1	Seat & Lid Set	1	58104-1000			
2	Hinge Kit, pair	1	58105-1000			
3	Rinse Intake Seal & Elbow	1	58107-1000			
4	Support Strap, Discharge Hole	1	See Kits	1	1	
5	Support Strap, Motor	1	See Kits	1	1	
6	Support Block, Motor	1	See Kits	1	1	
7	14" Bowl, Angled Back	1	58048-1000			
	14" Bowl, Vertical Back	1	58068-1000			
	17" Bowl, Angled Back	1	58028-1000			
	17" Bowl, Vertical Back	1	58038-1000			
8	Hose Clip, large	1	See Kits	1	1	
9	Inlet Hose, Flush Pump	1	See Kits	1	1	
10	Hose Clip, medium	1	See Kits	1	1	
11	Screw, long	4	See Kits	1	4	
12	Screw, short	3	See Kits	1	3	
13	Nut	7	See Kits	2	7	
14	Pump Body, upper	1	See Kits		1	
15	Ring Seal	1	See Kits	1	1	
16	Nut	1	See Kits	1	1	
17	Washer	1	See Kits	1	1	
18	Impeller	1	See Kits		1	
19	Ceramic Seal	1	See Kits	1	1	
20	Pump Body, lower	1	See Kits		1	
21	Motor 12V	1	See Kits		1	
	Motor 24V	1	See Kits		1	
22	Outlet Hose, Pump	1	See Kits	1	1	
23	Clip, small	2	See Kits	2	2	
24	Non-Return Valve Assy.	1	58109-1000			
25	Joker Valve	1	29092-1000			
26	Control Box, Electronics	1	See Kits			1
27	Heat Shrink Sleeve, Control Cable	1	See Kits			1
28	Panel	1	See Kits			1
29	Jabsco White Fascia Panel	1	See Kits			1
30	Adapter Plate	1	See Kits			1
31	Solenoid Valve 12V	1	37038-1012			
	Solenoid Valve 24V	1	37038-1024			
32	Rinse Pump 12V	1	31331-0092			
	Rinse Pump 24V	1	31331-0094			
33	Pumpgard™	1	46400-9500			



58060 Series  
58080 Series



58260 Series  
58280 Series

# 13 Service Parts

## ELECTRIC TOILETS

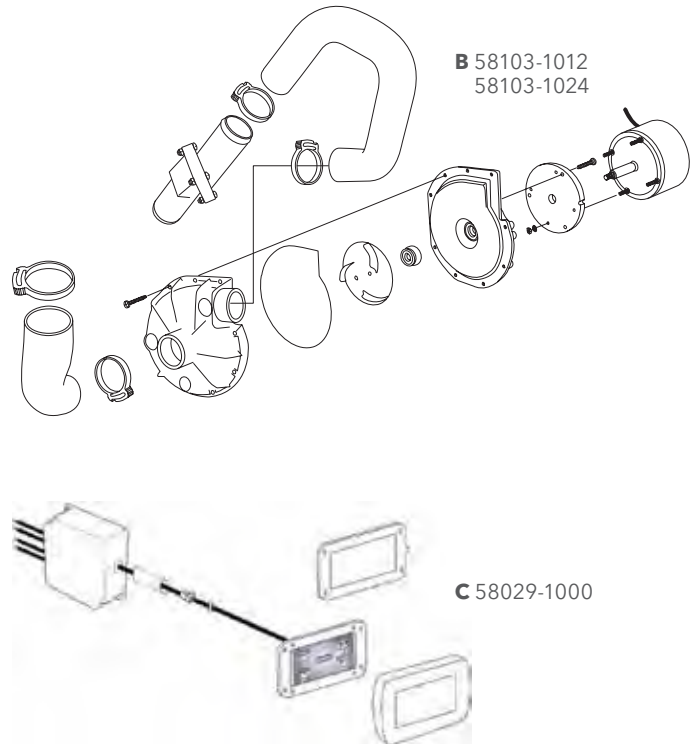
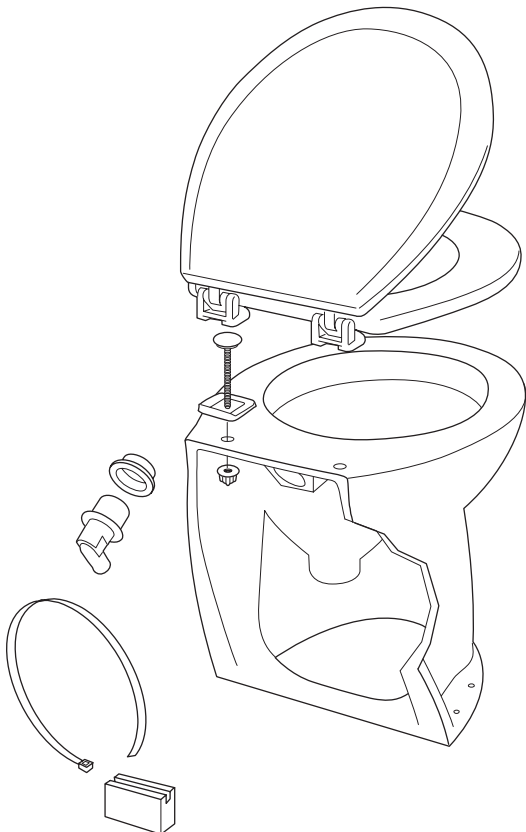
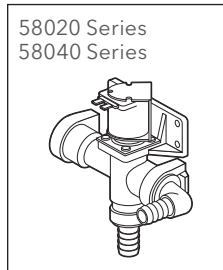


In 2009, the design of the Deluxe Flush Pump Assembly and Control Panel was updated.

If you have a toilet manufactured before 2010 and want to purchase a service kit, you need part number 58100-1000 – there are different size hoses used on the different designs.

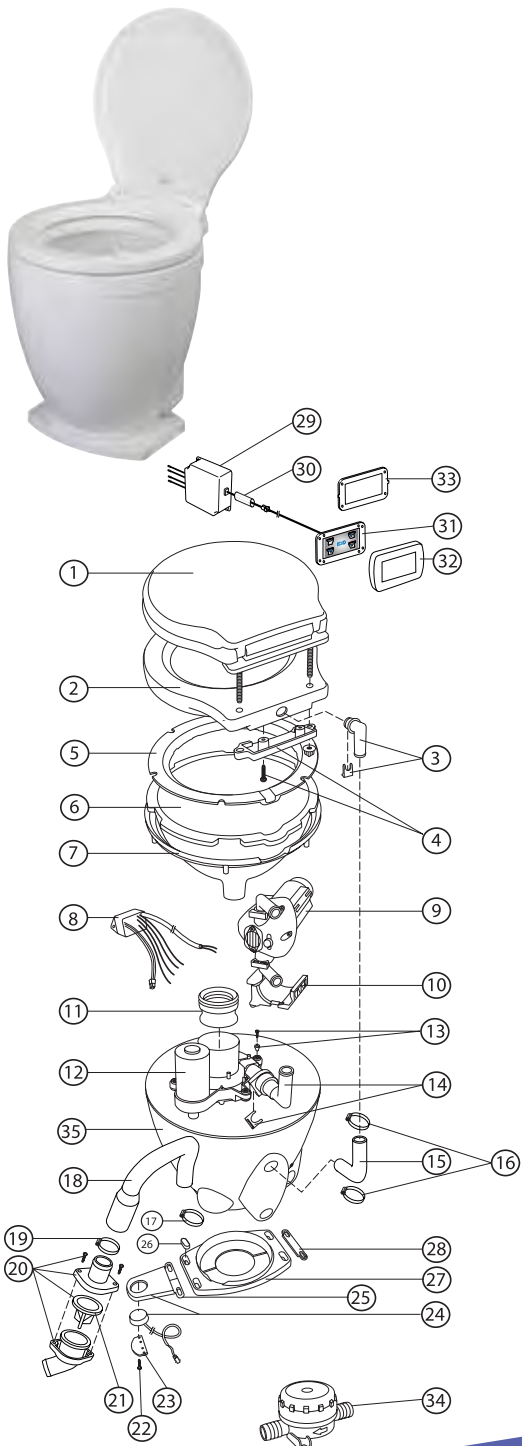
The design of the pump assembly (B) was changed, but you can purchase the new pump design. The style of the control kit (C) was also updated, but the new design can be used to replace this (see previous page).

58020, 58220, 58040, 58240 DELUXE FLUSH 17" ELECTRIC TOILETS (UNTIL 2009)		
REPAIR KITS AVAILABLE		
KIT	MODEL NUMBER	DESCRIPTION
A	58100-1000	Major Service Kit
	58103-1012	Pump Assembly 12V
B	58103-1024	Pump Assembly 24V
	58029-1000	Control Kit



58500 SERIES LITE FLUSH ELECTRIC TOILETS

REPAIR KITS AVAILABLE			KEY	DESCRIPTION	QTY PER TOILET	MODEL NUMBER	QTY PER REPAIR KIT			
KIT	MODEL NUMBER	DESCRIPTION					A	B	C	D
A	58550-1000	Hose Kit	1	Seat & Lid	1	58530-1000B				
B	58540-1012	Pump Assembly 12V	1	Top	1					
	58540-1024	Pump Assembly 24V	1	Intake Elbow & Clip	1					
C	58555-1000	Control Kit (Footswitch)	1	Seat & Lid Clamp Kit	1					
D	58552-1000	Control Kit (Panel)	1	Top Bowl Seal	1	58514-1000				
	58541-1000	Pulley & Belt Kit	1	Ceramic Bowl	1					



KEY	DESCRIPTION	QTY PER TOILET	MODEL NUMBER	QTY PER REPAIR KIT			
				A	B	C	D
1	Seat & Lid	1	58530-1000B				
2	Top	1					
3	Intake Elbow & Clip	1					
4	Seat & Lid Clamp Kit	1					
5	Top Bowl Seal	1	58514-1000				
6	Ceramic Bowl	1					
7	Clamp Ring	1					
8	Control Box (Footswitch)	1	See Kits			1	
9	Rinse Pump 12V	1	31331-0092				
	Rinse Pump 24V	1	31331-0094				
10	Rinse Pump Bracket	1					
11	Bowl Outlet Seal	1	See Kits		1		
12	Pump Assembly 12V	1	See Kits		1		
	Pump Assembly 24V	1	See Kits				
13	Pump Assembly Fixings	4	See Kits		1		
14	Discharge Elbow and Clip	1	See Kits		1		
15	Inlet Hose	1	See Kits	1			
16	Small Hose Clip	2					
17	Medium Hose Clip	1					
18	Outlet Hose	1	See Kits	1			
19	Large Hose Clip	1					
20	Non-Return Valve Assembly	1	58109-1000				
21	Joker Valve	1	29092-1000				
22	Screw, Footswitch	2					
23	Switch Support	1					
24	Footswitch	1	See Kits			1	
25	Switch Mount	1					
26	Screw Covers	4					
27	Base	1					
28	Foot Panel Blank	1	See Kits			1	2
29	Control Box	1	See Kits				1
30	Heat Shrink Sleeve	1	See Kits				1
31	Panel	1	See Kits				1
32	Jabsco White Fascia Panel	1	See Kits				1
33	Adapter Plate	1	See Kits				1
34	Pumpgard™	1	46400-0000				