



GSD SERIES

SUBMERSIBLE, CAST IRON SEWAGE PUMPS

APPLICATIONS

Specially designed for:

- Residential sewage systems
- Water transfer
- Heavy duty sump/dewatering

FEATURES

- Premium mechanical seal design provides superior protection against sand and abrasive damage (silicon carbide/silicon carbide)
- Cast iron motor housing and oil filled construction for optimal heat dissipation
- Cast iron recessed vortex impeller for durable performance
- Corrosion resistant stainless steel (300 series) motor shaft and hardware for lifetime use
- Reliable mechanical switch coupled with a solid float for consistent on and off operation (automatic version)
- Built in anti-siphon hole to prevent air locking
- Engineered motor designed for peak hydraulic performance without overloading
- Approved for residential use (CSA/CUS listed)
- Three (3) year Goulds Water Technology warranty / four (4) year GPDA warranty

SPECIFICATIONS

Motor

Horse Power	.5 hp
Voltage	115/230V
Phase	Single
Hertz	60 Hz
Type	Permanent split capacitor (PSC)
Insulation	Class B
Maximum Amps	8/4.5 amps
Mechanical Switch	CSA/UL listed 15A/125V - automatic version
Circuit Breaker	15A

Pump

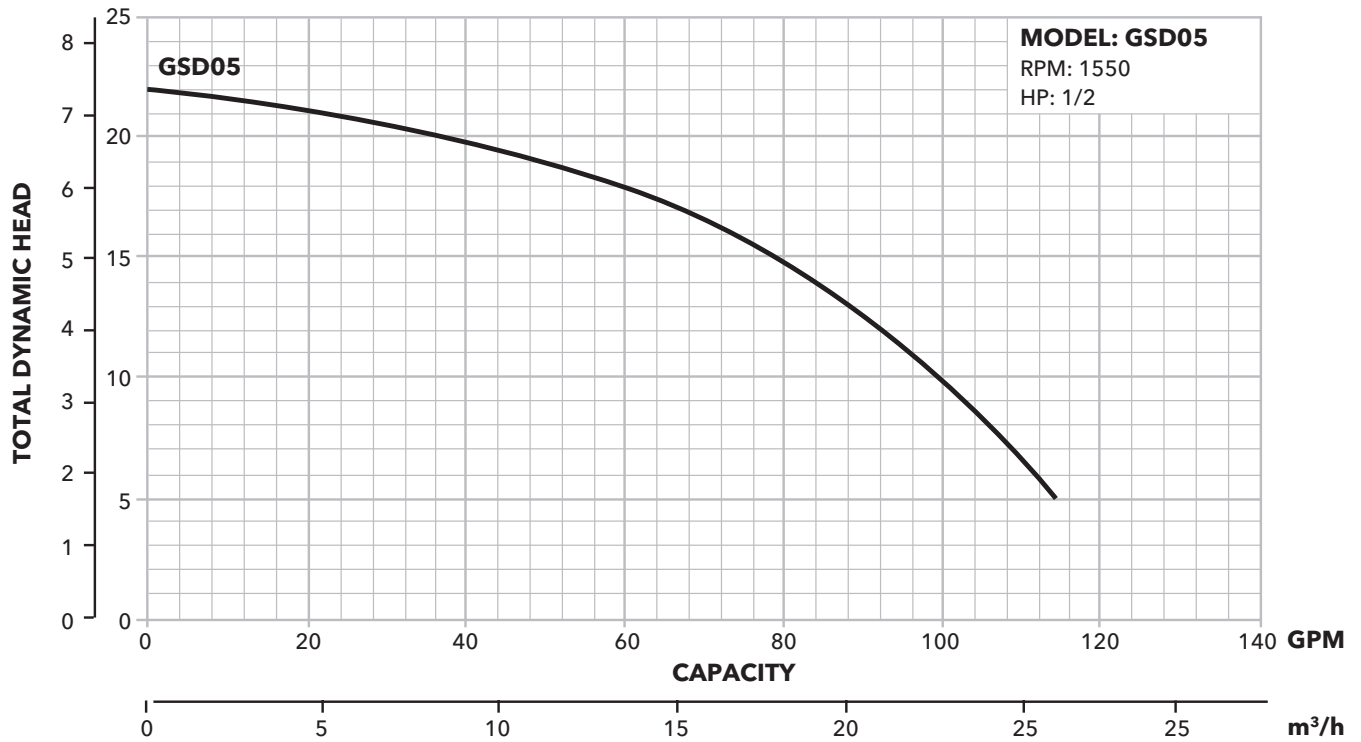
Operation	Automatic or Manual
Auto On/Off Points	12" on / 4" off
Discharge Size	2" NPT
Solids Handling	2" spherical solids
Cord Length/Type	20' SJTW power cord with NEMA grounded plug
Maximum Head	22'
Maximum Flow Rate	115 gpm (5 ft head)
Max. Operating Temp	129 °F
Cooling	Oil-filled
Motor Protection	Auto reset thermal overload

Materials

Motor Housing	Cast iron
Pump Housing	Cast iron
Base	Cast iron
Upper Bearing	Oil-fed
Lower Bearing	Oil-fed
Mechanical Seals	Silicon carbide/Silicon carbide
Impeller Type	Recessed vortex
Impeller	Cast iron
Hardware	Stainless steel (300 series)
Motor Shaft	Stainless steel (300 series)
Gasket and O-ring	BUNA-N
Float	Solid construction
Minimum Basin Size	10.5" diameter
Handle	Stainless steel
Height	15"
Width	10.5"
Weight	45 lbs automatic / 44 lbs manual

PERFORMANCE CURVES

METERS FEET

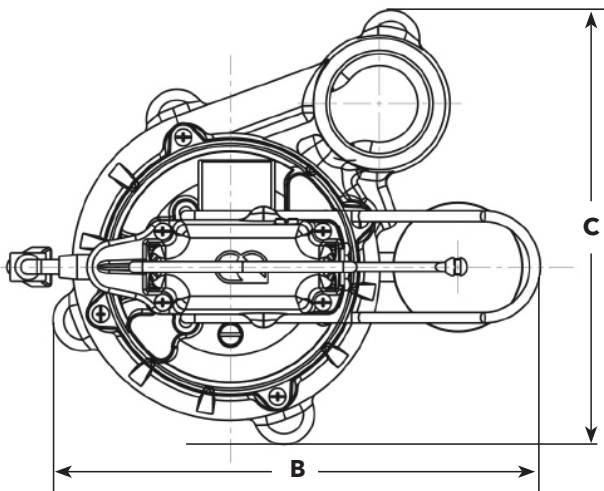
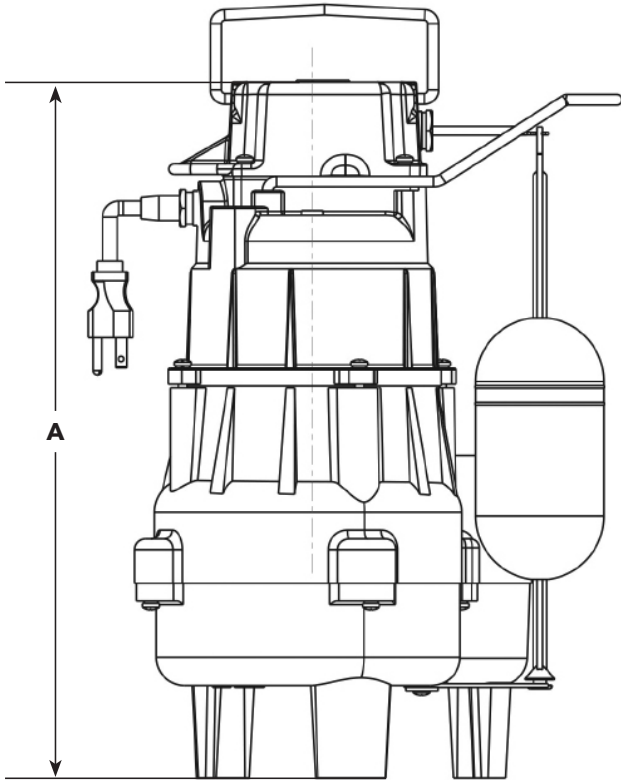


MODEL INFORMATION

Model Series	Part No.	Operation	HP	Volts	Phase	Discharge	Turn On	Turn Off	Housing	Weight
GSD	GSD0511	Automatic	0.5	115	1	2" NPT	12"	4"	Cast iron	45
GSD	GSD0511M	Manual	0.5	115	1	2" NPT	-	-	Cast iron	44
GSD	GSD0512	Automatic	0.5	230	1	2" NPT	12"	4"	Cast iron	45
GSD	GSD0512M	Manual	0.5	230	1	2" NPT	12"	4"	Cast iron	44

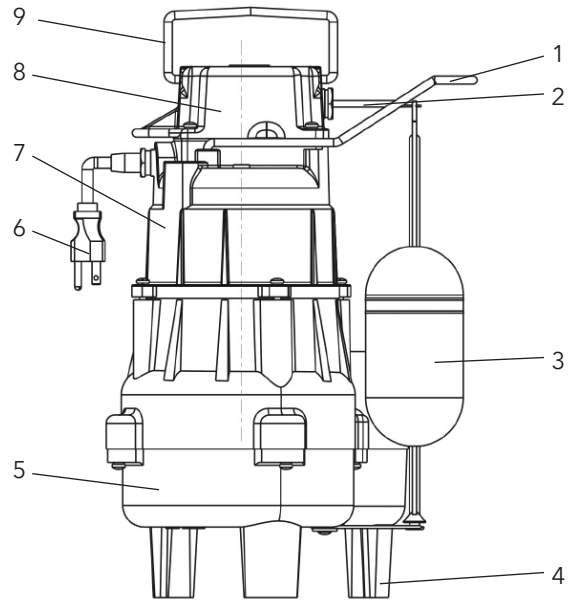
DIMENSIONS

	A	B	C
GSD0511/GSD0512	15.4"	10.8"	9.6"
GSD0511M/GSD0512M	15.4"	9.6"	9.6"



COMPONENTS

Item No.	Description
1	Float Bracket
2	Float Rod
3	Float
4	Base
5	Seal Housing
6	Plug
7	Motor Dome
8	Mechanical Switch Housing
9	Handle



xylem
Let's Solve Water

Xylem Inc.
Phone: (866) 325-4210
Fax: (888) 322-5877
www.xylem.com/goulds

Xylem is a registered trademark of Xylem, Inc., or one of its subsidiaries. Goulds is a registered trademark of Goulds Pumps, Inc. and is used under license.

© 2022 Xylem Inc. BGSD R2 May 2022