



# ST31

SUBMERSIBLE SUMP/EFFLUENT PUMP



### FEATURES

Corrosion-resistant construction

Cast iron body

Thermoplastic impeller and cover

Replaceable power cord

**Bearings:** Upper sleeve and lower heavy duty ball bearing construction.

**Built-In Vent Hole:** Prevents air-binding with no added labor.

Motor is permanently lubricated for extended service life and is powered for continuous operation. All ratings are within the working limits of the motor.

Complete unit is heavy duty, portable and compact.

**Mechanical Seal:** carbon/ceramic/Buna/stainless steel.

Stainless steel fasteners and stainless steel pipe plug.

### AGENCY LISTINGS



Tested to UL 778 and CSA 22.2 108 Standards  
By Canadian Standards Association  
File #LR38549

### PERFORMANCE RATINGS

#### ST31

Total Head (feet of water)	GPM	GPH
4	50	3,000
10	40	2,340
15	28	1,680
20	15	900

### APPLICATIONS

Specially designed for the following uses:

- Basement draining
- Water transfer
- Dewatering
- Effluent Transfer

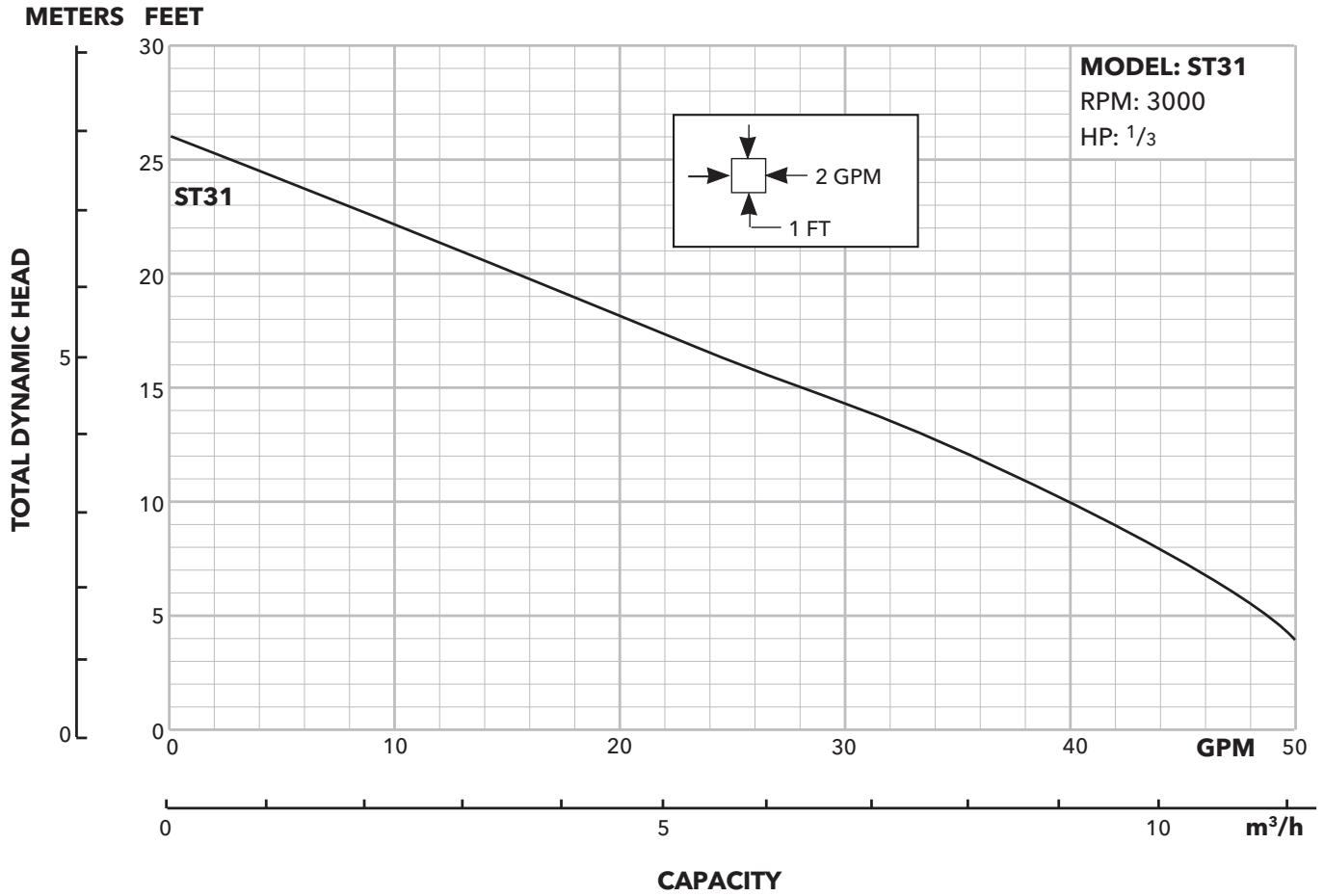
### SPECIFICATIONS

#### Pump:

- Discharge size: 1½" NPT
- Capacities: to 50 GPM.
- Maximum head: to 26 feet.
- Temperature: 104°F (40°C) maximum, continuous when completely submerged.
- Solids handling: ½" maximum sphere.
- Automatic models include a float switch.
- Manual model available.
- Pumping range: see performance chart or curve below.

### MOTOR

- ST31: ⅓ HP, 115 V, 60 Hz, single phase, 3000 RPM, 12.0 amps maximum.
- Built-in thermal overload protection with automatic reset.
- Class B insulation
- Oil filled design
- High strength carbon steel shaft
- Power cord: Quick disconnect 10 foot standard length, heavy duty 16/3 SJTW with NEMA 5-15 P three prong grounding plug, 115V.

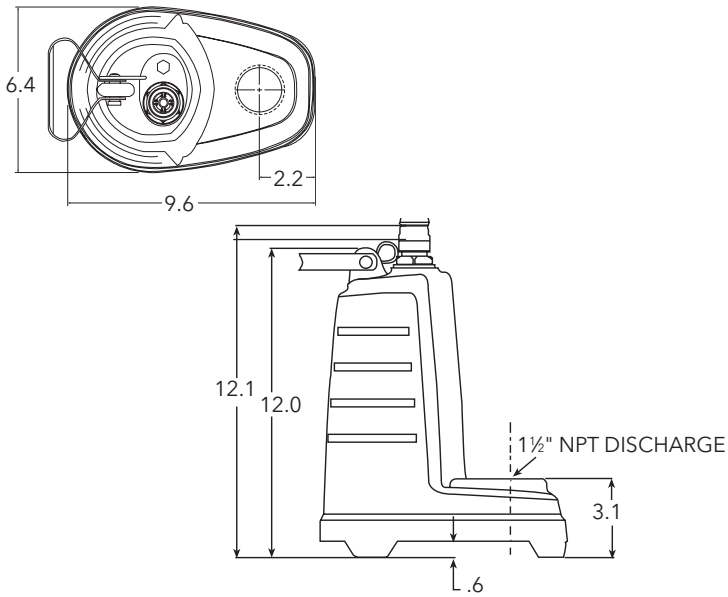


### MODEL INFORMATION

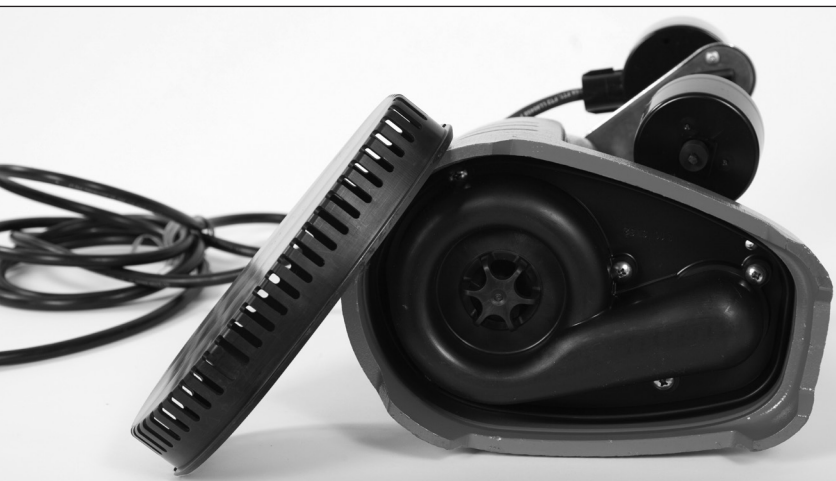
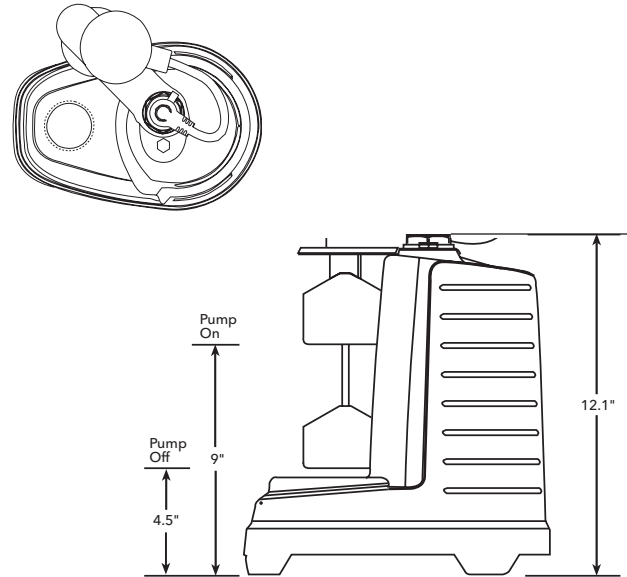
Order No.	HP	Volts	Amps	Minimum Circuit Breaker	Phase	Float Switch Style	Cord Length	Discharge Connection	Minimum On Level	Minimum Off Level	Minimum Basin Diameter	Maximum Solids Size	Shipping Weight lbs/kg	
ST31AV	1/3	115	12.0	20	1	Built-In Vertical	10'	1 1/2"	8"	3.5"	11"	1/2	29 / 13.2	
ST31A1						Built-In Wide Angle			14"	7"				18"
ST31M						Plug / No Switch			Manual	Manual				11"
ST31P1						Piggyback Wide Angle			14"	7"				18"
ST31PV						Piggyback Vertical			8"	3.5"				11"

## DIMENSIONS

(All dimensions are in inches. Do not use for construction purposes.)



## VERTICAL FLOAT SWITCH



## ADDITIONAL STRAINER AVAILABLE AS ACCESSORY

Part No. A2-STST

- Material of construction mineral filled TPO
- Snaps in place over pump suction
- Prevents pea gravel from entering pump

**xylem**  
Let's Solve Water

Xylem Inc.  
2881 East Bayard Street Ext., Suite A  
Seneca Falls, NY 13148  
Phone: (866) 325-4210  
Fax: (888) 322-5877  
[www.gouldswatertechnology.com](http://www.gouldswatertechnology.com)

Goulds is a registered trademark of Goulds Pumps, Inc. and is used under license.  
© 2016 Xylem Inc. BST31 R2 September 2016