



# SDS-GSP

SINK DRAIN SYSTEM

### FEATURES

- Fully assembled at the factory for simple installation.
- Capable of running dry without damage to components.
- Severe rated oil and water resistant power cable.

### ASSEMBLED COMPONENTS

- Pump:** GSP0311, 1/3 HP, 1/2" solids handling sump pump with built-in switch
- Structural foam, 10 gallon basin and cover with built-in threaded inlet, vent and discharge connections for simple installation.
- Cord grommet for power cord sealing.

### AGENCY LISTINGS



Tested to UL 778 and CSA 22.2 108 Standards  
By Canadian Standards Association  
File #LR38549

### APPLICATIONS

Specially designed for the following uses:

- Laundry tray
- Wet bar sink
- Air conditioning or dehumidifier condensate
- Residential dishwashers
- Beautician sink

### SPECIFICATIONS

#### Pump:

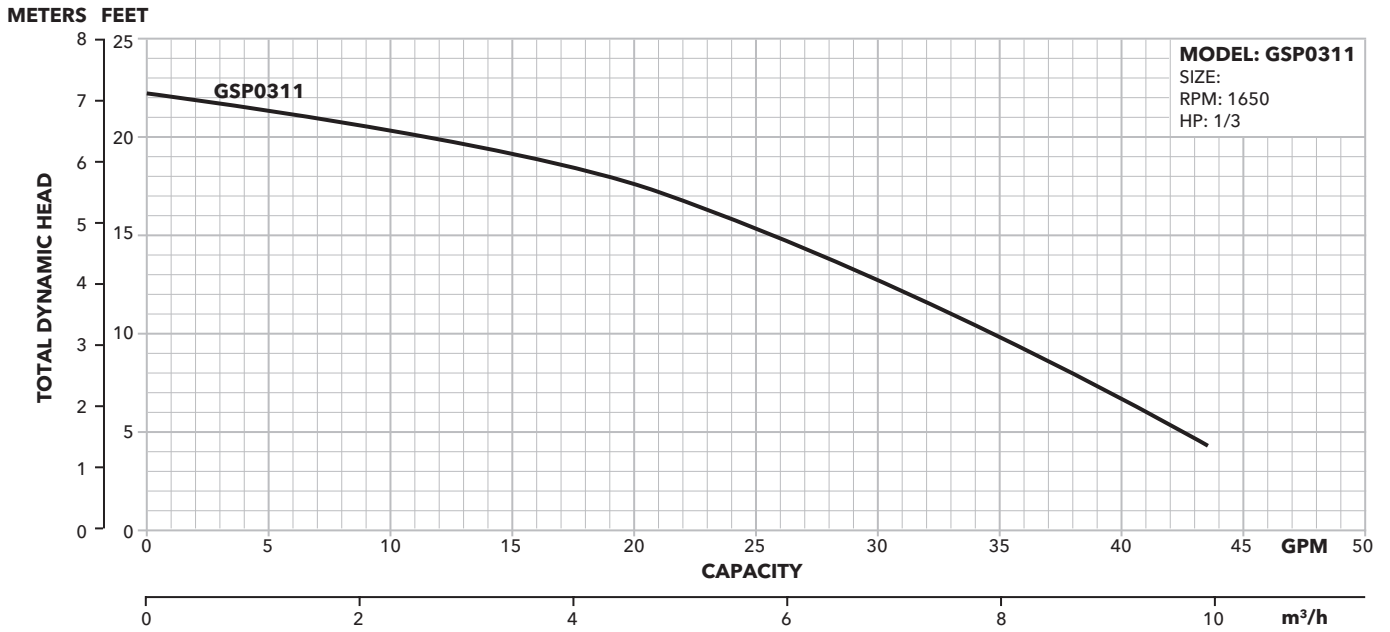
- Maximum solid size: 1/2"
- Discharge Size: 1 1/2" NPT Thread
- Maximum capacity: 43 GPM
- Maximum Total Head: 22 feet
- Stainless steel fasteners
- Power cord: 9' long with NEMA three prong grounding plug.

#### Motor:

- HP: .33, Volts: 115, 1Ø
- Hertz: 60
- RPM: 1650
- Maximum amps: 10
- Maximum ambient temperature: 104° F (40° C) continuous duty.
- Rated for continuous duty when fully submerged.
- Insulation: Class B
- Overload Protection: On-winding, automatic reset, thermal overloads.

#### Basin:

- 10 gallon structural foam basin.
- Dimensions: 17" diameter x 13 7/8" high.
- 1 1/2" NPT threaded vent, discharge and inlet connections.
- 1 1/2" schedule 40 PVC discharge pipe (internal).

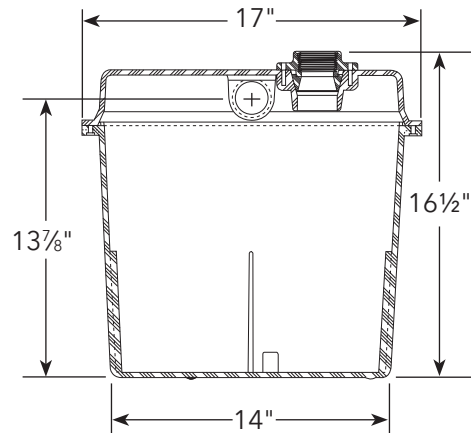


### PERFORMANCE RATINGS

Total Head (feet of water)	GPM
4	43
10	34
15	25
20	10

### DIMENSIONS

(All dimensions are in inches. Do not use for construction purposes.)



# Xylem |'zīləm|

- 1) The tissue in plants that brings water upward from the roots;
- 2) a leading global water technology company.

We're a global team unified in a common purpose: creating advanced technology solutions to the world's water challenges. Developing new technologies that will improve the way water is used, conserved, and re-used in the future is central to our work. Our products and services move, treat, analyze, monitor and return water to the environment, in public utility, industrial, residential and commercial building services, and agricultural settings. With its October 2016 acquisition of Sensus, Xylem added smart metering, network technologies and advanced data analytics for water, gas and electric utilities to its portfolio of solutions. In more than 150 countries, we have strong, long-standing relationships with customers who know us for our powerful combination of leading product brands and applications expertise with a strong focus on developing comprehensive, sustainable solutions.

**For more information on how Xylem can help you, go to [www.xylem.com](http://www.xylem.com)**



Xylem Inc.  
2881 East Bayard Street Ext., Suite A  
Seneca Falls, NY 13148  
Phone: (866) 325-4210  
Fax: (888) 322-5877  
[www.gouldswatertechnology.com](http://www.gouldswatertechnology.com)

Goulds is a registered trademark of Goulds Pumps, Inc. and is used under license.  
© 2017 Xylem Inc. BSDSGSP R1 June 2017