



 **REDJACKET SERIES**

RVW

SUBMERSIBLE VORTEX SEWAGE PUMP

FEATURES

- Corrosion resistant construction
- Cast iron body
- Thermoplastic impeller and cover
- Upper sleeve and lower heavy duty ball bearing construction.
- Motor is permanently lubricated for extended service life.
- Powered for continuous operation.
- Vortex impeller is recessed to allow free flow through casing.

All ratings are within the working limits of the motor.

Replaceable power cord, 10' and 20' standard lengths, heavy duty 16/3 SJTW with NEMA three prong, 115 or 230 volt grounding plug.

Complete unit is heavy duty, portable and compact.

Mechanical seal is carbon, ceramic, BUNA and stainless steel.

Stainless steel fasteners

AGENCY LISTINGS



Tested to UL 778 and CSA 22.2 108 Standards
By Canadian Standards Association
File #227637

APPLICATIONS

Specially designed for the following uses:

- Residential Sewage Systems
- Heavy-Duty Sump/Dewatering
- Water Transfer

SPECIFICATIONS

Pump:

- Discharge: 2" NPT
- Maximum capacity: 100 GPM
- Maximum head: 22' TDH
- Vortex Impeller
- Solids handling: 2" maximum sphere.
- Temperature: 104°F (40°C) maximum, continuous when fully submerged.
- Automatic models include a float switch.
- Manual models available.
- Pumping range: see performance chart or curve.

MOTOR

General:

- Single phase
- 60 Hertz
- 115 and 230 volt
- Built-in thermal overload protection with automatic reset.
- Class B insulation.
- Oil-filled design.
- High strength carbon steel shaft.

RVW5 Motor:

- .50 HP, 3400 RPM
- PSC design

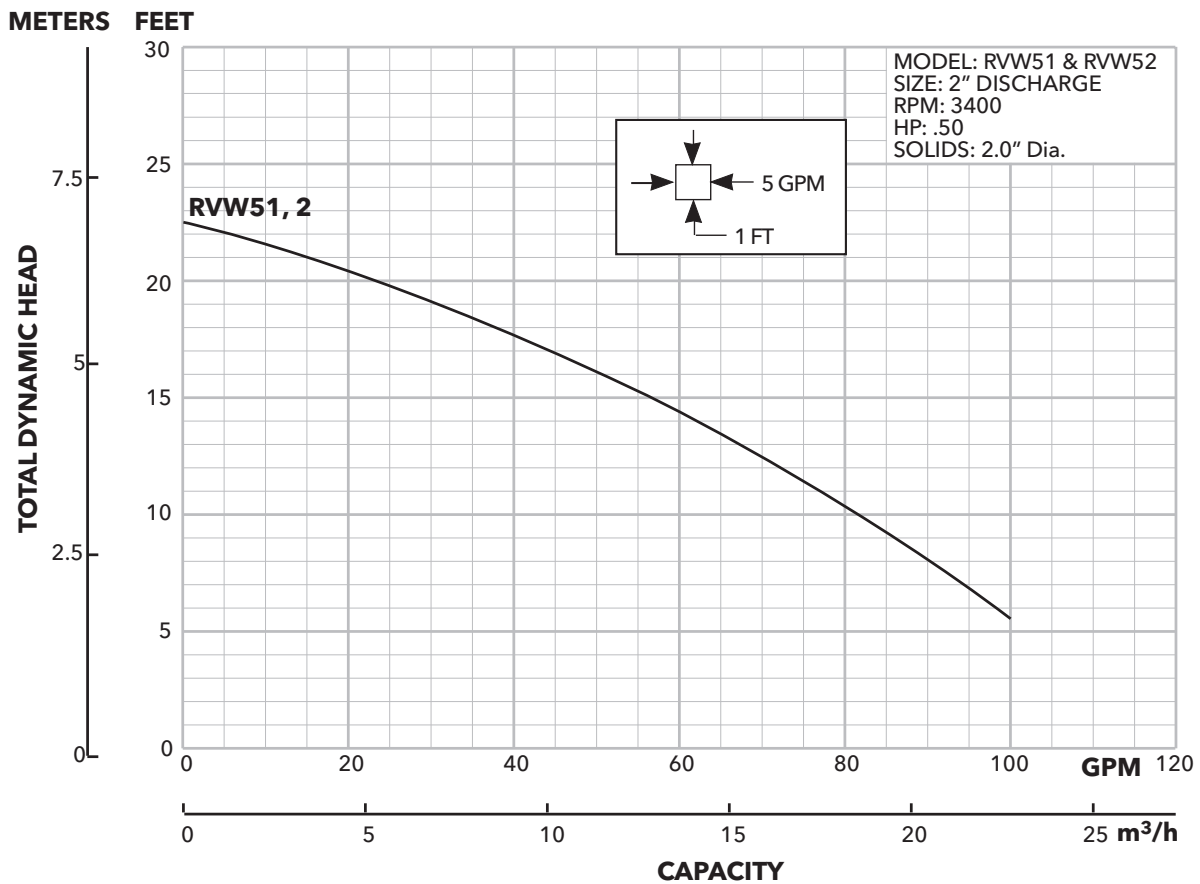
MODEL INFORMATION

Order No.	HP	Volts	Amps	Minimum Circuit Breaker	Phase	RPM	Float Switch Style	Power Cord Length	Discharge Connection	Maximum Solids Size	Minimum Basin Diameter	Shipping Weight lbs/kg			
RVW51	½	115	13.0	20	1	3450	Plug / No Switch	10'	2"	2"	18"	40			
RVW51A							Piggyback Wide Angle	10'				42			
RVW51F		230	6.5	15			Plug / No Switch	20'				42			
RVW52F							Plug / No Switch	20'				42			
RVW51AF							115	13.0				20	Piggyback Wide Angle	20'	44
RVW52AF							230	6.5				15	Piggyback Wide Angle	20'	44

PERFORMANCE CHARTS

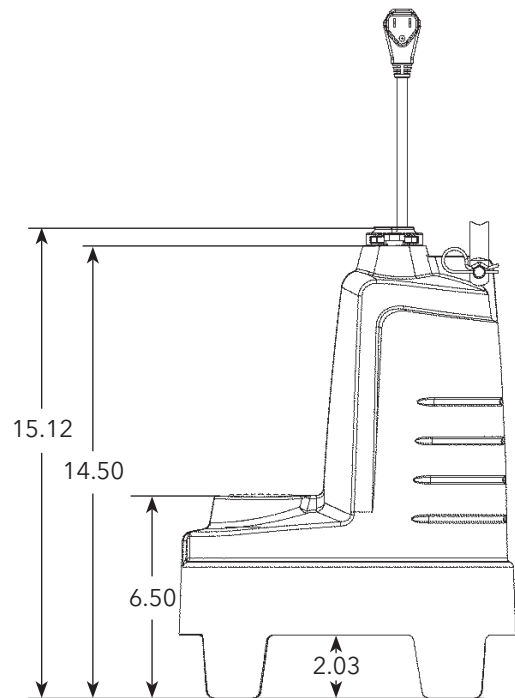
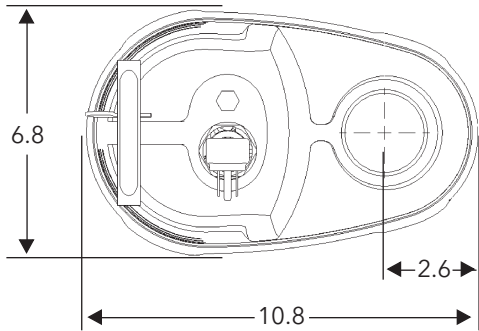
These charts show actual system performance with friction loss factored in for various discharge pipe lengths. Calculations and performance based on a system with 2" PVC, schedule 40 plastic pipe (C150), (4) 90° elbows, (1) check valve and (1) shut-off valve. Wastewater requires a minimum scouring velocity of 21 gpm for 2" pipe. Shaded areas do not provide min. scouring velocity - use only for gray water with no solids.

Pipe Length (Feet)	GPM									
	Vertical Head (Feet)									
	2	4	6	8	10	12	14	16	18	20
25	95	89	83	77	70	62	53	45	35	22
50	83	78	73	67	61	55	48	40	31	20
75	76	71	66	61	55	50	43	37	28	18
100	69	65	61	56	51	46	40	33	26	17
150	60	57	53	49	45	40	35	29	23	16
200	54	51	48	44	40	36	32	27	21	14
250	49	47	44	40	37	33	29	24	19	13
300	46	43	40	37	34	31	27	23	18	12



DIMENSIONS

(All dimensions are in inches. Do not use for construction purposes.)



xylem
Let's Solve Water

Xylem Inc.
2881 East Bayard Street Ext., Suite A
Seneca Falls, NY 13148
Phone: (866) 325-4210
Fax: (888) 322-5877
goulds.com/redjacket

Red Jacket Water Products is a trademark of Xylem Inc. or one of its subsidiaries. Goulds is a registered trademark of Goulds Pumps, Inc. and is used under license.

© 2017 Xylem Inc. BRJRW R1 January 2017