



 **REDJACKET SERIES**

P2WW05

PACKAGED SEWAGE SYSTEM WASTEWATER

FEATURES

- Maximum solid size: 2"
- Discharge Size: 2" NPT Thread
- Maximum capacity: 75 GPM
- Maximum Total Head: 18 feet
- Stainless steel fasteners
- 20' Power cord
- Fully assembled at the factory for simplified installation. Holes for the inlet, vent, discharge and electrical cord grommets are all pre-drilled.
- Rubber grommets for positive seal and easy installation.
- Basin contains a special torque stop base to stabilize the pump.
- Steel basin covers for strength or polyethylene covers for superior corrosion resistance.
- Check valve, 2" flapper style is provided for field installation.
- Factory preset mechanical float switch for dependable, automatic operation.
- Schedule 40, 2" PVC discharge pipe is factory installed.
- Pump is capable of running dry without damage to components.
- Vortex impeller design for superior 2" solids handling capability and resistance to clogging.

BASIN FEATURES

- Polyethylene roll-top design
- Maximum Capacity: 30 gallons
- Dimensions: 18" diameter x 30" high
- Inlet: Field installed 4" pipe grommet
- Inlet hole is pre-drilled

COVER FEATURES

- Simplex basin cover: either a steel or a polyethylene cover is provided based on the order number
- 18" single piece steel covers for strength
- 18" single piece, corrosion resistant, polyethylene covers (P suffix)
- Discharge: 2" pipe grommet on all
- Vent: 2" pipe grommet on AC and ACP models
- Vent: 3" pipe grommet on AC3 and AC3P models

PUMP FEATURES

- 2WW0511AF, .5 HP 2" solids handling vortex style sewage pump

CHECK VALVE FEATURES

- 2" flapper style check valve

Specifically designed for the following uses:

Home, rural water districts, parks and dewatering, wastewater, sewage lift station, anywhere waste or drainage must be disposed of quickly, quietly and efficiently.

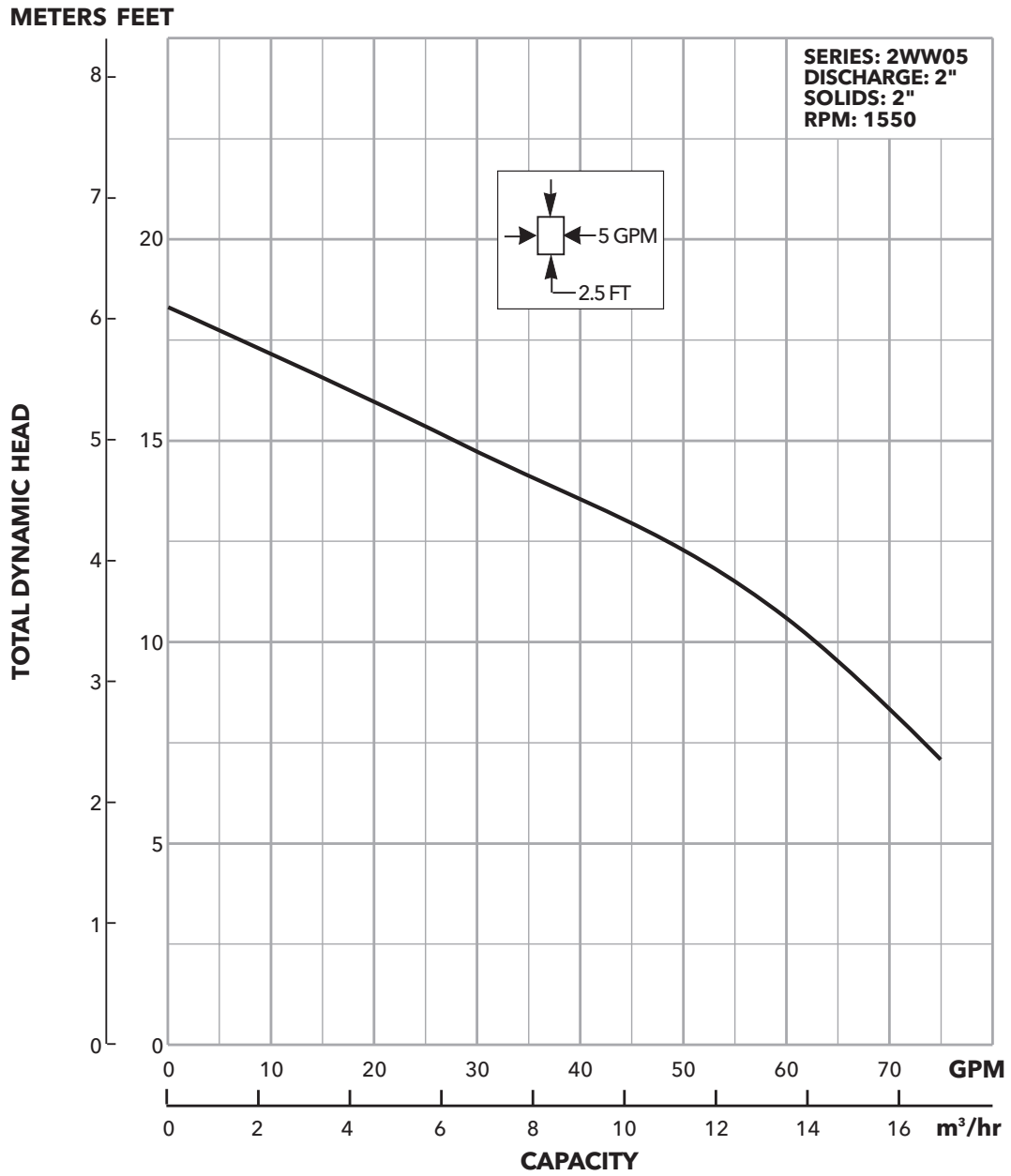
MOTOR FEATURES

- HP: .5, Volts: 115, 1Ø
- Hertz: 60
- RPM: 1550
- Maximum amps: 13.0
- **MAXIMUM AMBIENT TEMPERATURE:**
104° F (40° C) continuous duty
140° F (60° C) intermittent duty
- Rated for continuous duty when fully submerged
- Insulation: Class B
- Overload Protection: On-winding, automatic reset, thermal overloads

AGENCY LISTING

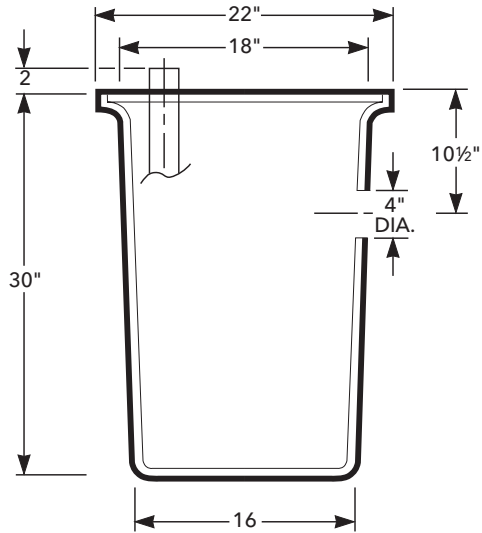
Tested to CSA 22.2 108 Standards
By Canadian Standards Association

PERFORMANCE CURVE



SYSTEM COMPONENTS

Order Number	Cover	HP	Volts	Maximum Amps	Discharge	Vent	Weight (lbs.)
P2WW0511AC	Steel	½	115	13.0	2"	2"	46
P2WW0511AC3						3"	
P2WW0511ACP	Polyethylene					2"	
P2WW0511ACP3						3"	



xylem
Let's Solve Water

Xylem Inc.
2881 East Bayard Street Ext., Suite A
Seneca Falls, NY 13148
Phone: (866) 325-4210
Fax: (888) 322-5877
goulds.com/redjacket

Red Jacket Water Products is a trademark of Xylem Inc. or one of its subsidiaries. Goulds is a registered trademark of Goulds Pumps, Inc. and is used under license.

© 2017 Xylem Inc. BRJP2WW R3 January 2017