

**FEATURES**

Impeller: Cast iron, ASTM A48, Class 30, two vane semi-open, non-clog design with pump out vanes for mechanical seal protection. Dynamically balanced for smooth operation. Silicon bronze impeller is an option.

Casing: Heavy duty gray cast iron, ASTM A48, Class 30. Volute type casing with 3", 125#, ANSI flanged, horizontal discharge conforming to ANSI standards. Compatible with A10-30 cast iron or A10-30B cast iron and brass (non-sparking) guide rail assembly.

Dual Mechanical Seals: Silicon carbide vs. silicon carbide outer seal and ceramic vs. carbon inner seal, stainless steel metal parts, BUNA-N elastomers. Upper and lower shaft seals are positioned independently and are separated by an oil-filled chamber.

Shaft: 300 series stainless steel keyed design.

Fasteners: 300 series stainless steel.

Capable of running dry temporarily without damage to seals or motor.

**RED JACKET SERIES**
3WS**SUBMERSIBLE SEWAGE PUMP****3" FLANGED DISCHARGE, 2½" SOLIDS HANDLING WASTEWATER**

APPLICATIONS

Used in a variety of residential, commercial and industrial applications such as:

- Sewage systems, Flood and Pollution Control, Dewatering/Effluent, Farms, Hospitals, Trailer Courts, Motels

SPECIFICATIONS

Pump:

- Maximum solid size: 2.5"
- Discharge size: 3", 125 # ANSI flange
- Maximum capacity: 470 GPM
- Maximum total head: 65 feet
- 300 Series stainless steel fasteners
- 20' Power cord
- Standard silicon carbide/silicon carbide outer seal

MOTOR FEATURES

Maximum ambient temperature: 104° F (40° C) continuous duty; 140° F (60° C) intermittent duty

RPM: 1750; 60 Hz; 300 Series stainless steel keyed shaft, Silicon bronze impeller, Tungsten carbide outer seals

Oil-filled: Fully submerged in O-ring sealed, oil-filled chamber. High grade turbine oil surrounds motor for more efficient heat dissipation, permanent lubrication of bearings and mechanical seal for complete protection against outside environment.

Single phase: 1.5 and 2 HP have 14/3 STOW and 3 to 5 HP have 10/3 STOW cords. Built-in capacitors and on-winding overload protection.

Three phase: Have 14/4 STOW cords except 5 HP 200/230 volt which have 10/4 STOW cords. Overload protection must be provided in control panel or starter unit.

Continuous duty design: Motor is designed for continuous operation when fully submerged.

Ratings: Pump ratings are within the motor manufacturer's working limits.

Bearings: Upper and lower ball bearing construction to carry all radial and thrust loads.

Power Cable: Severe duty rated, oil and water resistant. Epoxy seal on motor end provides secondary moisture barrier in case of outer jacket damage and to prevent oil wicking. Standard cord is 20'. Optional lengths are available.

MOTOR INFORMATION

General:

Class "B" insulation
Oil-filled design

Single Phase:

Built-in automatic reset overload
208 V - 1.5-3 HP
230 V - 1.5-5 HP

Three Phase:

Capacitor start
Built-in automatic reset overload
200 V - 1.5-5 HP
230 V - 1.5-5 HP
460 V - 1.5-5 HP
575 V - 1.5-5 HP

PERFORMANCE RATINGS

Series No.	3WS15DM	3WS15D	3WS20D	3WS30D	3WS50D	
HP ▶	1½	1½	2	3	5	
RPM ▶	1750					
Total Head Feet of Water	10 ▶	160	300			
	15	90	260	320		
	20		210	280	435	
	25		160	235	400	
	30		100	185	360	
	35			130	210	325
	40			60	160	280
	45				100	230
	50					170
	55					115
	60					60

AGENCY LISTINGS



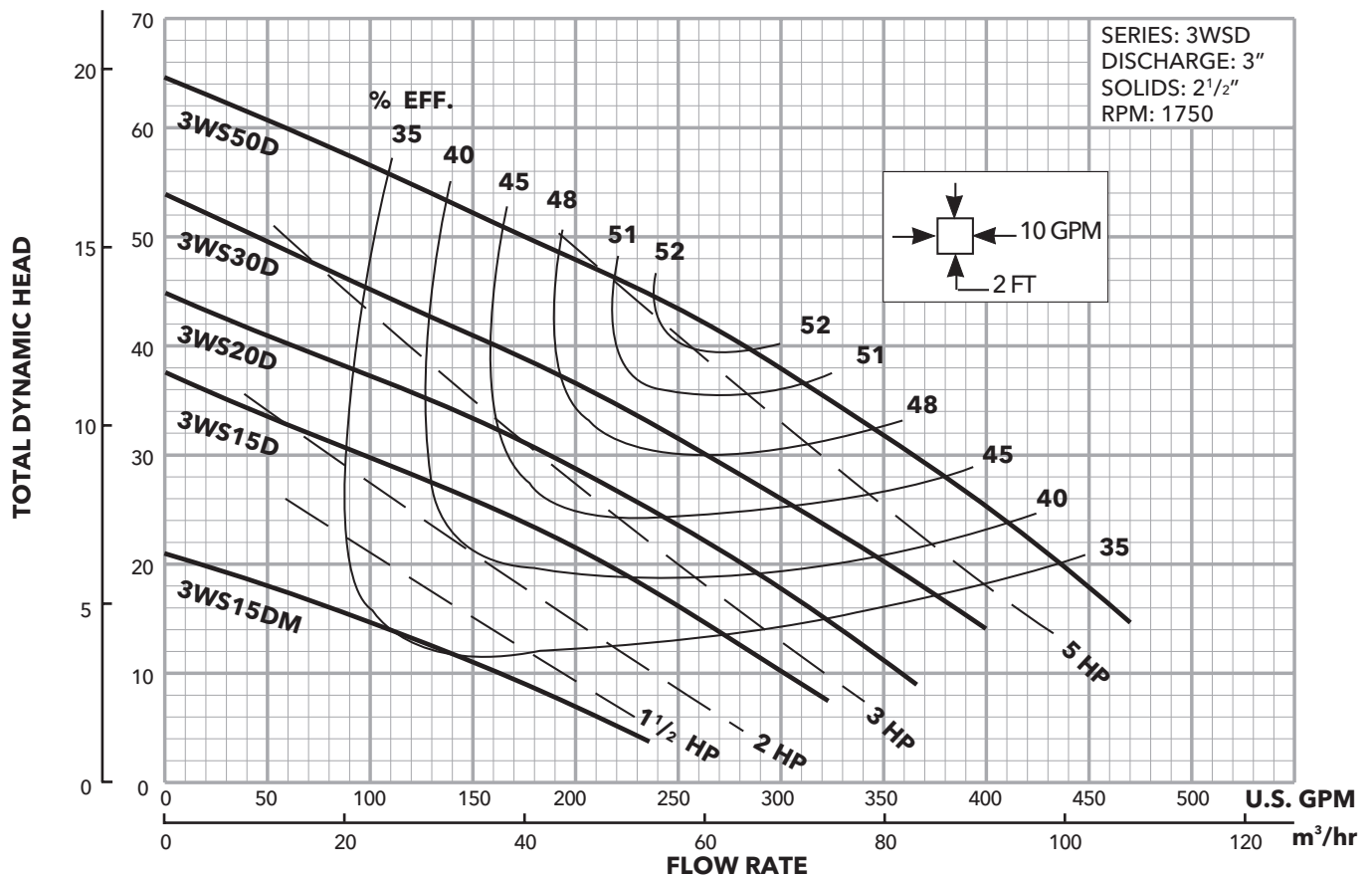
Tested to UL 778 and CSA 22.2 108 Standards
By Canadian Standards Association
File #227637

MODEL AND MOTOR INFORMATION

Order Number	HP	Phase	Volts	RPM	Impeller Diameter (in.)	Maximum Amps	Locked Rotor Amps	KVA Code	Power Cable	Full Load Motor Efficiency %	Resistance		Weight (lbs.)	
											Start	Line-Line		
3WS1518DM*	1.5	1	208	1750	5.25	15.0	50.8	B	14/3	80	1.1	0.9	192	
3WS1512SDM*			230			12.5	29.5	E		70	1.4	1.8		
3WS1538DM*		3	200			11.5	40.9	H	14/4	81	NA	1.7		190
3WS1532DM*			230			10.0	40.0	F		83		2.3		
3WS1534DM*			460			5.0	20.0	F		83		9.3		
3WS1537DM*			575			4.0	14.4	H		74		14.8		
3WS1518D		1	208		15.0	50.8	B	14/3	80	1.1	0.9	192		
3WS1512D			230		12.5	29.5	E		70	1.4	1.8			
3WS1538D		3	200		11.5	40.9	H	14/4	81	NA	1.7	190		
3WS1532D			230		10.0	40.0	F		83		2.3			
3WS1534D	460		5.0	20.0	F	83	9.3							
3WS1537D	575		4.0	14.4	H	74	14.8							
3WS2018D	2	1	208	1750	7.00	19.0	50.8	B	14/3	80	1.1	0.9	196	
3WS2012D			230			16.0	36.9	D		75	1.4	1.5		
3WS2038D		3	200			11.5	40.9	H	14/4	81	NA	1.7	194	
3WS2032D			230			10.0	40.0	F		83		2.3		
3WS2034D			460			5.0	20.0	F		83		9.3		
3WS2037D			575			4.0	14.4	H		74		14.8		
3WS3018D	3	1	208	1750	7.25	25.5	50.8	B	10/3	80	1.1	0.9	205	
3WS3012D			230			21.5	46.4	C		79	1.0	1.0		
3WS3038D		3	200			15.2	53.8	G	10/4	85	NA	1.3	200	
3WS3032D			230			12.0	49.5	H		83		1.9		
3WS3034D			460			6.0	24.8	H		83		7.5		
3WS3037D			575			4.8	17.3	G		78		11.6		
3WS5012D	5	1	230	1750	8.00	26.5	57.7	A	10/3	80	1.0	0.8	210	
3WS5038D			200			18.8	73.9	F		84	0.9			
3WS5032D		3	230			16.4	63.6	E	10/4	85	NA	1.2	205	
3WS5034D			460			8.2	31.8	E		85		4.8		
3WS5037D			575			6.8	22.8	E		80		7.4		

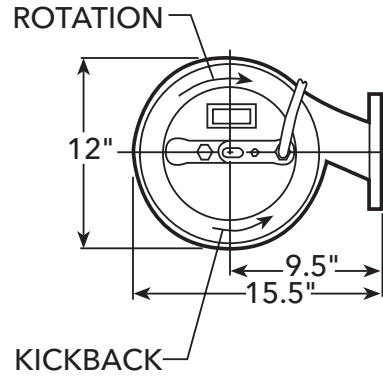
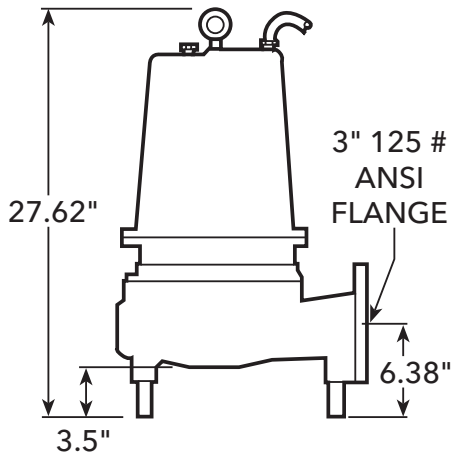
* M denotes a minimum diameter impeller.

METERS FEET



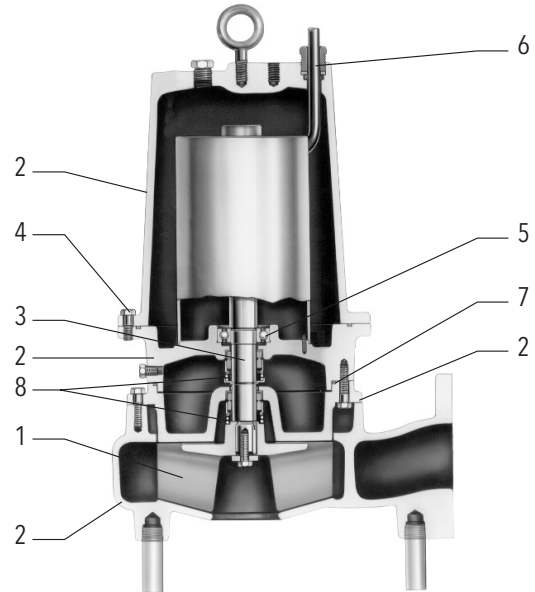
DIMENSIONS

(All dimensions are in inches. Do not use for construction purposes.)



MATERIALS OF CONSTRUCTION

Item No.	Part Name		Material			
			Standard	Optional		
1	Impeller, non-clog		1003	1179		
2	Castings		1003			
3	Shaft-keyed		300 Series SS			
4	Fasteners		300 Series SS			
5	Ball bearings		Steel			
6	Power cable		STOW, 20 feet	Additional lengths		
7	O-ring		BUNA-N			
8	Outer Mech. Seal	Service	Rotary	Stationary	Elastomers	Metal Parts
	OPT	Heavy duty	Silicon Carbide	Tungsten Carbide	BUNA-N	300 Series SS
	STD	Mild abrasives	Silicon carbide		BUNA-N	300 Series SS
Material Code			Engineering Standard			
1003			Cast iron – ASTM A48 Class 30			
1179			Silicon bronze – ASTM C87600			



xylem
Let's Solve Water

Xylem Inc.
2881 East Bayard Street Ext., Suite A
Seneca Falls, NY 13148
Phone: (866) 325-4210
Fax: (888) 322-5877
goulds.com/redjacket

Red Jacket Water Products is a trademark of Xylem Inc. or one of its subsidiaries. Goulds is a registered trademark of Goulds Pumps, Inc. and is used under license.

© 2017 Xylem Inc. BRJ3WS R3 January 2017