



 **REDJACKET SERIES**

2WW

SUBMERSIBLE SEWAGE PUMP

FEATURES

Impeller: Glass-filled thermoplastic Full-Vortex design with pump out vanes for mechanical seal protection.

Casing and Base: Rugged glass-filled thermoplastic design provides superior strength and corrosion resistance.

Motor Housing: Cast iron for efficient heat transfer, strength, and durability.

Motor Cover: Thermoplastic cover with integral handle and float switch attachment points.

Bearings: Upper and lower heavy duty ball bearing construction.

Power Cable: Severe duty rated oil and water resistant.

O-ring: Provides positive sealing. Easily replaced during maintenance.

Stainless steel fasteners

AGENCY LISTINGS



Tested to **UL 778** and **CSA 22.2 108** Standards
By **Canadian Standards Association**
File #**227637**

APPLICATIONS

Specifically designed for the following uses:

- Residential sewage systems
- Dewatering
- Water transfer

Anywhere waste or drainage must be disposed of quickly, quietly and efficiently.

SPECIFICATIONS

Pump:

- Solids handling capability: 2" maximum
- Capacities: up to 75 GPM
- Total heads: up to 18 feet
- Discharge size: 2" NPT
- Mechanical seal: carbon-rotary/ceramic-stationary, BUNA-N elastomers

- Temperature:
104° F (40° C) continuous
140° F (60° C) intermittent

- Fasteners: 300 series stainless steel

- Capable of running dry without damage to components.

Motor

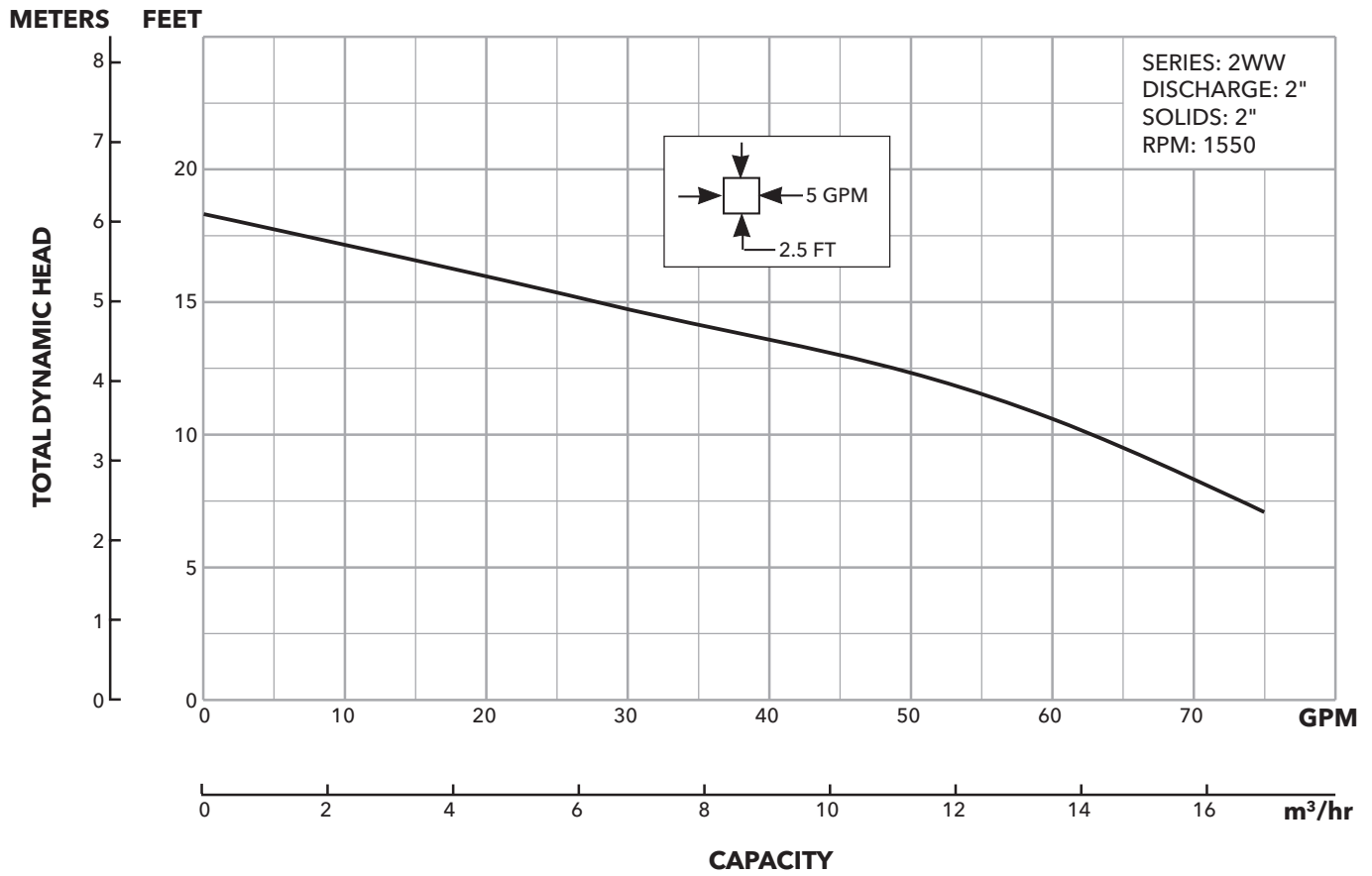
- Single phase: ½ HP, 115 or 230 V, 60 Hz, 1550 RPM, built in overload with automatic reset.
- Power cord: 10 foot standard length, 16/3 SJTW with three prong grounding plug. Optional 20 foot length, 16/3 SJTW with three prong grounding plug.
- Fully submerged in high grade turbine oil for lubrication and efficient heat transfer.

Available for automatic and manual operation. Automatic models include Mechanical Float Switch assembled and preset at the factory.

PERFORMANCE RATINGS

Total Head (ft. of water)	Gallons Per Minute
10	63
12	49
14	31
16	14
18	0

PERFORMANCE CURVES

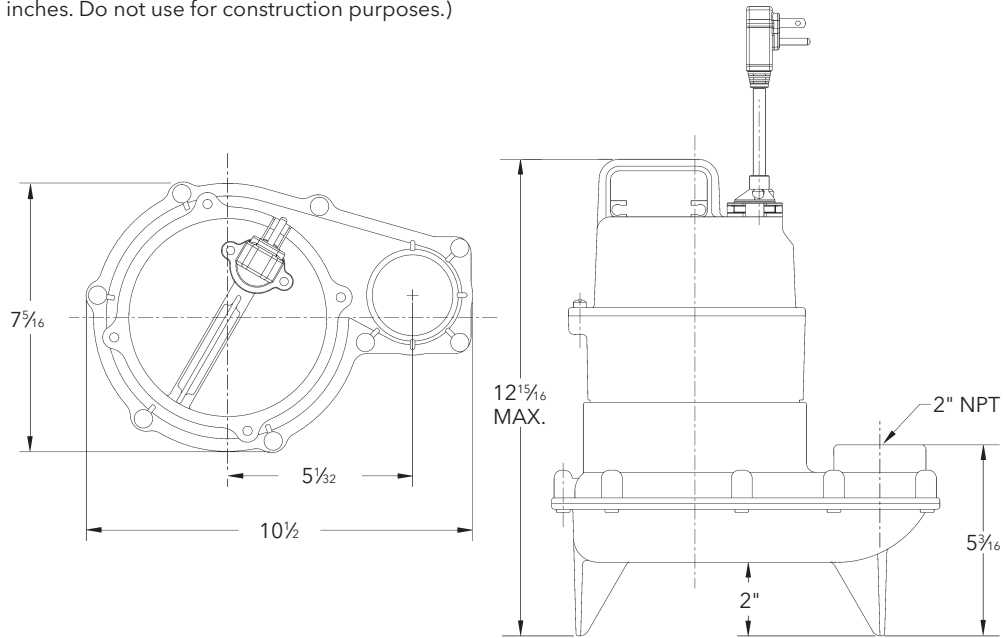


MODEL INFORMATION

Order No.	HP	Volts	Amps	Minimum Circuit Breaker	Phase	Float Switch Style	Cord Length	Discharge Connection	Minimum On Level	Minimum Off Level	Minimum Basin Diameter	Maximum Solids Size	Shipping Weight lbs/kg
2WW0511	.5	115	13	20	1	Plug / No Switch	10'	2"	Manual	Manual	18"	2"	22 / 10
2WW0511A						Piggyback / Wide-Angle	10'	2"	15"	9"	18"		23 / 10.4
2WW0511F						Plug / No Switch	20'	2"	Manual	Manual	18"		22 / 10
2WW0511AF						Piggyback / Wide-Angle	20'	2"	15"	9"	18"		23 / 10.4
2WW0512		230	6.5	10		Plug / No Switch	10'	2"	Manual	Manual	18"		22 / 10
2WW0512F						Plug / No Switch	20'	2"	Manual	Manual	18"		22 / 10

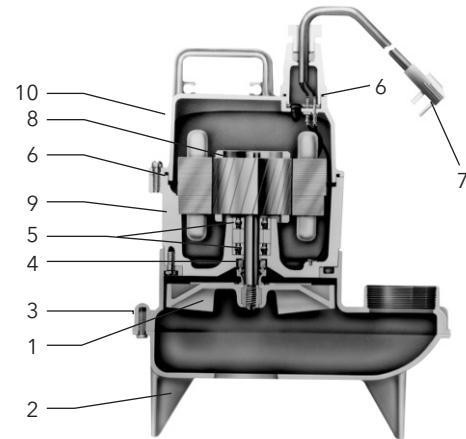
DIMENSIONS

(All dimensions are in inches. Do not use for construction purposes.)



COMPONENTS *(for reference only)*

Item No.	Description
1	Impeller
2	Rugged thermoplastic base
3	Rugged thermoplastic pump casing
4	Mechanical seal
5	Ball bearings
6	O-rings
7	Power cord
8	Oil filled motor
9	Cast iron motor housing/stator assembly
10	Thermoplastic motor cover



xylem
Let's Solve Water

Xylem Inc.
2881 East Bayard Street Ext., Suite A
Seneca Falls, NY 13148
Phone: (866) 325-4210
Fax: (888) 322-5877
goulds.com/redjacket

Red Jacket Water Products is a trademark of Xylem Inc. or one of its subsidiaries. Goulds is a registered trademark of Goulds Pumps, Inc. and is used under license.

© 2017 Xylem Inc. BRJ2WW R3 January 2017