



 **RED JACKET SERIES**

# 2WS\_BF

SUBMERSIBLE SEWAGE PUMP WASTEWATER

### FEATURES

**Impeller:** Cast iron, semi-open, non-clog, dynamically balanced with pump out vanes for mechanical seal protection.

**Casing:** Cast iron flanged volute type for maximum efficiency. Designed for easy installation on A10-20 slide rail.

**Mechanical Seal:** SILICON CARBIDE VS. SILICON CARBIDE sealing faces for superior abrasive resistance, stainless steel metal parts, BUNA-N elastomers.

**Shaft:** Corrosion-resistant, 300 series stainless steel. Threaded design. Locknut on all models to guard against component damage on accidental reverse rotation.

**Fasteners:** 300 series stainless steel.

Capable of running dry without damage to components.

Designed for continuous operation when fully submerged.

### AGENCY LISTINGS



Tested to UL 778 and CSA 22.2 108 Standards  
By Canadian Standards Association  
File #LR13533

### APPLICATIONS

Specifically designed for the following uses:

- Homes
- Sewage systems
- Dewatering/Effluent
- Water transfer
- Light industrial
- Commercial applications

Anywhere waste or drainage must be disposed of quickly, quietly and efficiently.

### SPECIFICATIONS

#### Pump

- Solids handling capabilities: 2" maximum
- Capacities: up to 185 GPM
- Total heads: up to 38 feet TDH
- Discharge size: 2" NPT threaded companion flange as standard. 3" option available but must be ordered separately. (Order no. A1-3)
- Temperature: 104°F (40°C) continuous  
140°F (60°C) intermittent.

#### MOTORS

- Fully submerged in high grade turbine oil for lubrication and efficient heat transfer. All ratings are within the working limits of the motor.
- Class B insulation

#### Single phase (60 Hz):

- Capacitor start motors for maximum starting torque.
- Built-in overload with automatic reset.
- SJTOW or STOW severe duty oil and water resistant power cords.
- ½ - 1 HP models have NEMA three prong grounding plugs.

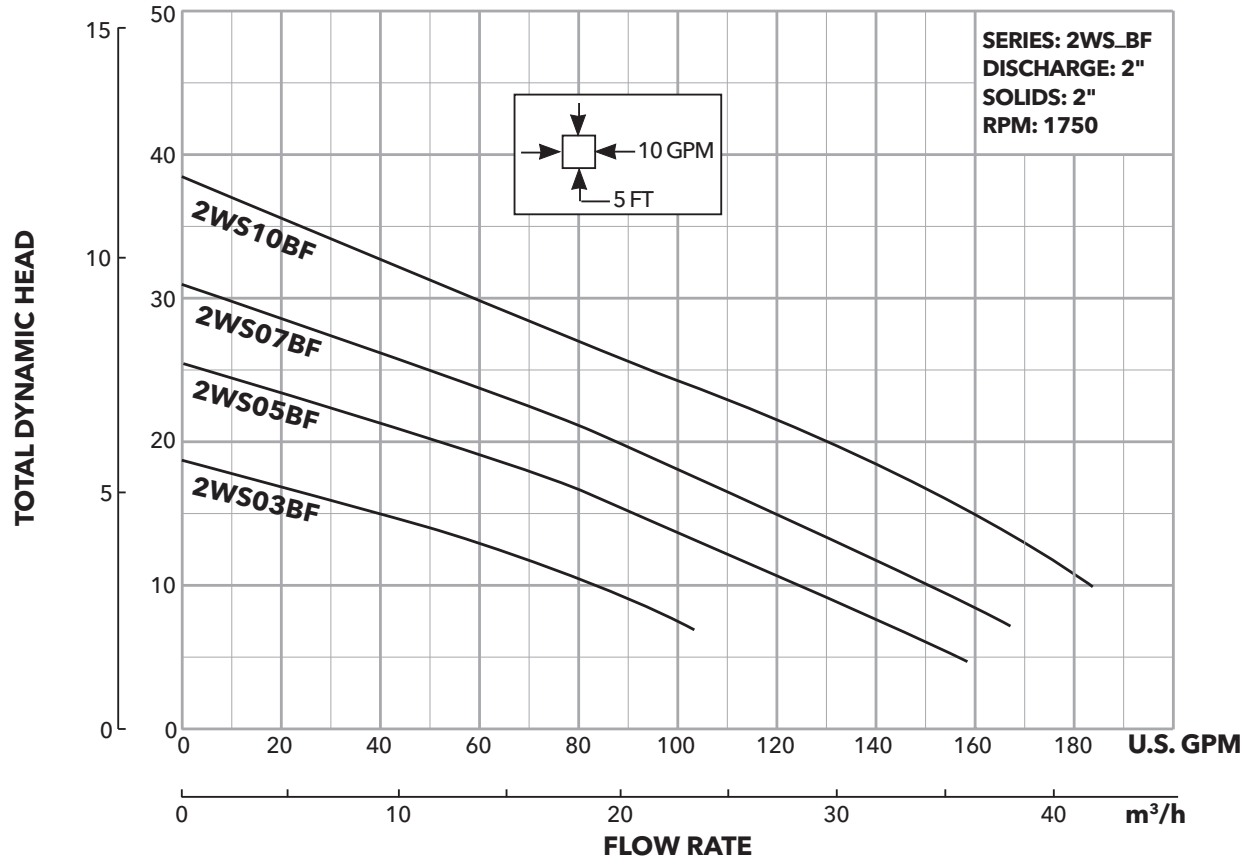
#### Three phase (60 Hz):

- Class 10 overload protection must be provided in separately ordered starter unit.
- STOW power cords all have bare lead cord ends.
- **Bearings:** Upper and lower heavy duty ball bearing construction.
- **Designed for Continuous Operation:** Pump ratings are within the motor manufacturer's recommended working limits, can be operated continuously without damage when fully submerged.
- **Power Cable:** Severe duty rated, oil and water resistant. Epoxy seal on motor end provides secondary moisture barrier in case of outer jacket damage and to prevent oil wicking. Standard cord is 20'. Optional lengths are available.
- **Motor Cover O-ring:** Assures positive sealing against contaminants and oil leakage.

### MOTOR AND MODEL INFORMATION

Order Number	HP	Phase	Volts	RPM	Impeller Diameter (in.)	Maximum Amps	Locked Rotor Amps	KVA Code	Full Load Efficiency	Resistance		Weight (lbs.)
										Start	Line-Line	
2WS0311BF	0.33	1	115	1750	4.69	10.7	30.0	M	54	11.9	1.7	63
2WS0318BF			208			6.8	19.5	K	51	9.1	4.2	
2WS0312BF			230			4.9	14.1	L	53	14.5	8.0	
2WS0511BF	0.5	1	115		5.00	14.5	31.1	J	55	9.3	1.4	65
2WS0518BF			208			8.0	19.5	K	51	9.1	4.2	
2WS0512BF			230			7.3	16.5	J	54	11.7	5.6	
2WS0538BF		3	200			3.8	12.3	K	75	-	6.7	
2WS0532BF			230			3.3	9.7	K	75	-	9.9	
2WS0534BF			460			1.7	4.9	K	75	-	39.4	
2WS0537BF	575	1.4	4.3		K	68	-	47.8				
2WS0718BF	0.75	1	208		5.38	11.0	39.0	K	65	2.6	1.4	85
2WS0712BF			230			9.4	24.8	J	57	4.8	2.3	
2WS0738BF		3	200	4.1		21.2	H	74	-	4.3		
2WS0732BF			230	3.6		17.3	J	76	-	5.6		
2WS0734BF			460	1.8		8.9	J	76	-	22.4		
2WS0737BF			575	1.5		7.3	J	71	-	29.2		
2WS1018BF	1	1	208	5.75	14.0	39.0	K	65	2.6	1.4	85	
2WS1012BF			230		12.3	30.5	H	60	4.3	1.8		
2WS1038BF		3	200		6.0	21.2	H	74	-	4.3		
2WS1032BF			230		5.8	17.3	J	76	-	5.6		
2WS1034BF			460		2.9	8.9	J	76	-	22.4		
2WS1037BF			575		2.4	7.3	J	71	-	29.2		

METERS FEET

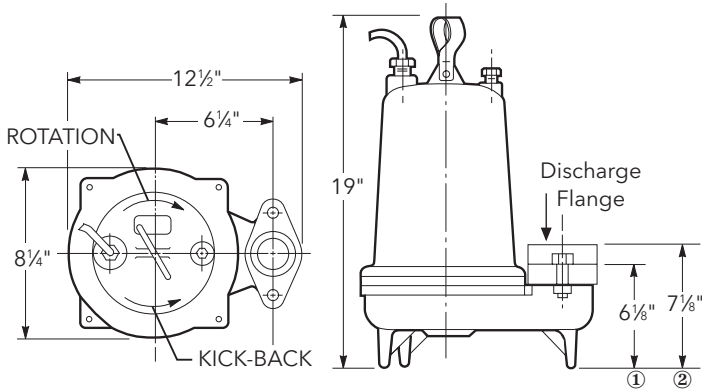


## PERFORMANCE RATINGS (gallons per minute)

Order No.	2WS03BF	2WS05BF	2WS07BF	2WS10BF
HP ▶	1/3	1/2	3/4	1
RPM ▶	1750	1750	1750	1750
Total Head Feet of Water	10 ▶	80	122	145
	15	36	90	116
	20	-	50	86
	25	-	-	48
	30	-	-	-
	35	-	-	-

## DIMENSIONS

(All dimensions are in inches. Do not use for construction purposes.)

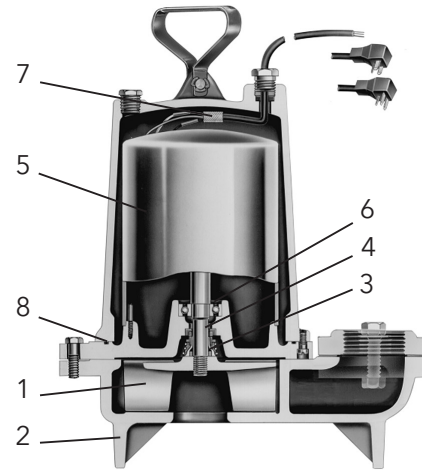


### Discharge Flange:

- ① 2" NPT standard
- ② 3" NPT optional (order an A1-3)

## COMPONENTS

Item No.	Description
1	Impeller
2	Casing
3	Mechanical Seal
4	Motor Shaft
5	Motor
6	Ball Bearings
7	Power Cable
8	Casing O-Ring



**xylem**  
Let's Solve Water

Xylem Inc.  
2881 East Bayard Street Ext., Suite A  
Seneca Falls, NY 13148  
Phone: (866) 325-4210  
Fax: (888) 322-5877  
goulds.com/redjacket

Red Jacket Water Products is a trademark of Xylem Inc. or one of its subsidiaries. Goulds is a registered trademark of Goulds Pumps, Inc. and is used under license.

© 2017 Xylem Inc. BRJ2WSBF R2 January 2017