



 **REDJACKET SERIES**

**2WS\_B**

SUBMERSIBLE SEWAGE PUMP WASTEWATER

### FEATURES

**Impeller:** Cast iron, semi-open, dynamically balanced, non-clog with pump out vanes for mechanical seal protection. Optional Silicon bronze impeller available.

**Casing:** Cast iron volute type for maximum efficiency. Designed for easy installation on A10-20 guide rail.

**Mechanical Seal: SILICON CARBIDE VS. SILICON CARBIDE** sealing faces for superior abrasive resistance, stainless steel metal parts, BUNA-N elastomers.

**Shaft:** Corrosion-resistant stainless steel. Threaded design. Locknut on all models to guard against component damage on accidental reverse rotation.

**Fasteners:** 300 series stainless steel.

**Operation:** Capable of running dry without damage to components.

See Model Information for specific HP, voltage, phase and RPM's available.

### AGENCY LISTINGS



Tested to UL 778 and CSA 22.2 108 Standards  
By Canadian Standards Association  
File #LR13533

### APPLICATIONS

Specifically designed for the following uses:

- Homes
- Sewage systems
- Dewatering/Effluent
- Water transfer

### SPECIFICATIONS

#### Pump

- Solids handling capabilities: 2" maximum
- Discharge size: 2" NPT
- Capacities: up to 185 GPM
- Total heads: up to 38 feet TDH
- Temperature: 104°F (40°C) continuous, 140°F (60°C) intermittent

### MOTOR FEATURES

#### Single phase (60 Hz):

1/3 and 1/2 HP - 16/3 SJTOW with 115V or 230V molded NEMA three prong grounding plug.

3/4 and 1 HP - 14/3 STOW with 230V molded NEMA plug.

#### Three phase (60 Hz):

1/2-1 HP - 14/4 STOW with bare leads.

**Bearings:** Upper and lower heavy duty ball bearing construction.

**Designed for Continuous Operation:** Pump ratings are within the motor manufacturer's recommended working limits, can be operated continuously without damage when fully submerged.

**Power Cable:** Severe duty rated, oil and water resistant. Epoxy seal on motor end provides secondary moisture barrier in case of outer jacket damage and to prevent oil wicking. Standard cord is 20'. Optional lengths are available.

**Motor Cover O-ring:** Assures positive sealing against contaminants and oil leakage.

### PERFORMANCE RATINGS (gallons per minute)

Order No.	2WS03	2WS05	2WS07	2WS10	
▶ HP	1/3	1/2	3/4	1	
▶ RPM	1750	1750	1750	1750	
Total Head Feet of Water	▶ 10	80	122	145	183
	15	36	90	116	152
	20	-	50	86	123
	25	-	-	48	95
	30	-	-	-	58
	35	-	-	-	20

### MOTOR INFORMATION

#### General:

Class "B" insulation  
Oil-filled design

#### Single Phase:

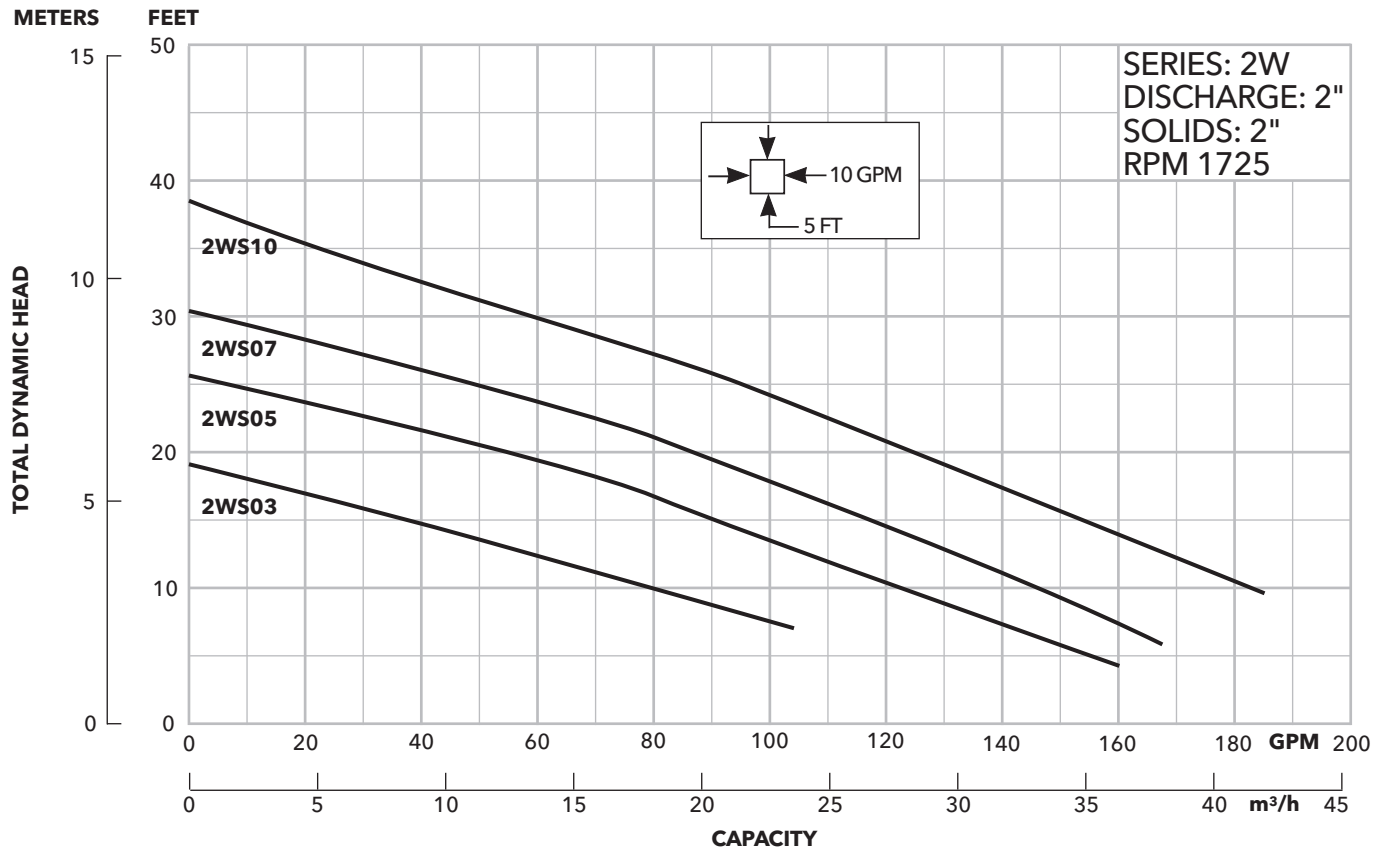
Capacitor start  
Built-in automatic reset overload  
115 V - .33 and .5 HP  
208 V - .33-1 HP  
230 V - .33-1 HP

#### Three Phase:

Overloads required in control panel  
200 V - .5-1 HP  
230 V - .5-1 HP  
460 V - .5-1 HP  
575 V - .5-1 HP

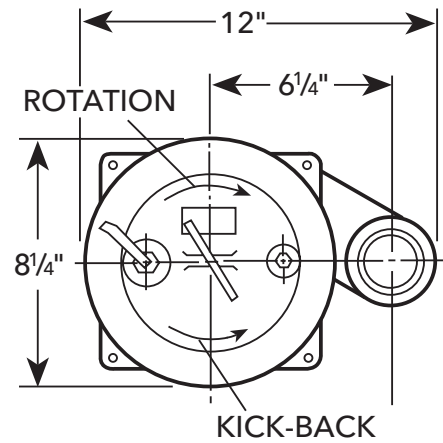
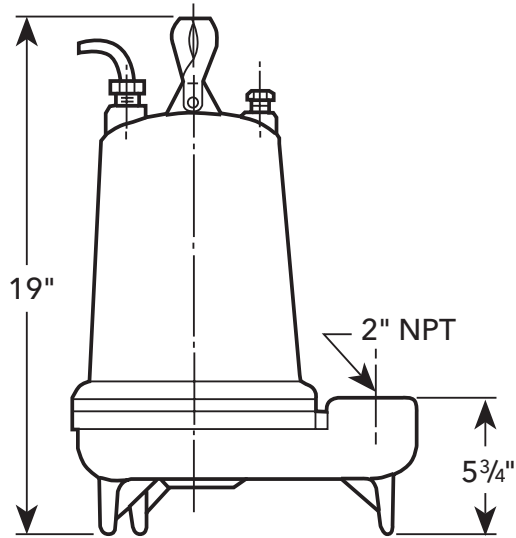
### MODELS

Order Number	HP	Phase	Volts	RPM	Impeller Diameter (in.)	Maximum Amps	Locked Rotor Amps	KVA Code	Full Load Efficiency	Resistance		Weight (lbs.)	
										Start	Line-Line		
2WS0311B	0.33	1	115	1750	4.69	10.7	30.0	M	54	11.9	1.7	63	
2WS0318B			208			6.8	19.5	K	51	9.1	4.2		
2WS0312B			230			4.9	14.1	L	53	14.5	8.0		
2WS0511B	0.5	1	115		5.00	14.5	31.1	J	55	9.3	1.4	65	
2WS0518B			208			8.0	19.5	K	51	9.1	4.2		
2WS0512B			230			7.3	16.5	J	54	11.7	5.6		
2WS0538B		3	200			3.8	12.3	K	75	NA	6.7		
2WS0532B			230			3.3	9.7	K	75	NA	9.9		
2WS0534B			460			1.7	4.9	K	75	NA	39.4		
2WS0537B	575	1.4	4.3		K	68	NA	47.8					
2WS0718B	0.75	1	208		5.38	5.38	11.0	39.0	K	65	2.6	1.4	85
2WS0712B			230				9.4	24.8	J	57	4.8	2.3	
2WS0738B		3	200	4.1			21.2	H	74	NA	4.3		
2WS0732B			230	3.6			17.3	J	76	NA	5.6		
2WS0734B			460	1.8			8.9	J	76	NA	22.4		
2WS0737B			575	1.5			7.3	J	71	NA	29.2		
2WS1018B	1	1	208	5.75	5.75	14.0	39.0	K	65	2.6	1.4	85	
2WS1012B			230			12.3	30.5	H	60	4.3	1.8		
2WS1038B		3	200			6.0	21.2	H	74	NA	4.3		
2WS1032B			230			5.8	17.3	J	76	NA	5.6		
2WS1034B			460			2.9	8.9	J	76	NA	22.4		
2WS1037B			575			2.4	7.3	J	71	NA	29.2		



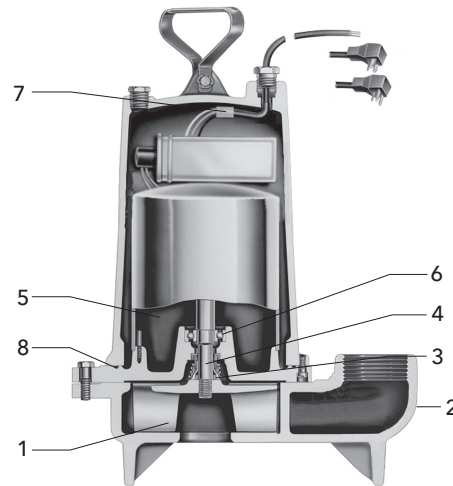
## DIMENSIONS

(All dimensions are in inches. Do not use for construction purposes.)



## COMPONENTS

Item No.	Description
1	Impeller
2	Casing
3	Mechanical seal
4	Motor shaft
5	Motor
6	Ball bearing
7	Power cable
8	Casing o-ring



**xylem**  
Let's Solve Water

Xylem Inc.  
2881 East Bayard Street Ext., Suite A  
Seneca Falls, NY 13148  
Phone: (866) 325-4210  
Fax: (888) 322-5877  
[goulds.com/redjacket](http://goulds.com/redjacket)

Red Jacket Water Products is a trademark of Xylem Inc. or one of its subsidiaries. Goulds is a registered trademark of Goulds Pumps, Inc. and is used under license.

© 2017 Xylem Inc. BRJ2WSB R3 January 2017