

Now available with an optional higher base.

# GTZ IRRI-GATOR™

GT07Z, GT10Z AND GT15Z

SELF-PRIMING CENTRIFUGAL PUMPS - 50 HZ

### FEATURES

**Self-Priming Design:** Once pump is primed it never needs priming again even if water level drops below the end of the suction pipe. Pumping resumes once the water level rises above the end of the suction pipe.

#### Serviceable:

- Back pullout design allows disassembly of pump for service without disturbing piping.
- Two compartment motor for easy access to motor wiring and replaceable components.

**Diffuser (Guidevane):** Bolt down diffuser provides positive alignment with impeller. Diffuser also has stainless wear ring for extended performance in abrasive conditions. F.D.A. compliant, injection molded, food grade, glass filled for durability and abrasion resistance.

### APPLICATIONS

Specifically designed for the following uses:

- Lawn sprinkling
- Irrigation
- Air conditioning systems
- Heat pumps
- Water transfer
- Dewatering

### SPECIFICATIONS

#### Pump:

- Pipe connections:  
1½" NPT suction • 1½" NPT discharge
- Capacities: to 110 GPM at 5 foot suction lift
- Heads: to 90 feet
- Reprime capabilities: to 25 feet suction lift
- Maximum working pressure: 125 PSIG
- Maximum water temperature: 140° F (60° C)
- Rotation: clockwise when viewed from motor end

**Corrosion Resistant:** Electro-coat paint process is applied inside and out, then baked on.

**Impeller:** F.D.A. compliant, glass filled. Corrosion and abrasion resistant.

**Casing:** Cast iron, 4-bolt, back pull-out design. Tapped openings provided for vacuum gauge and casing drain.

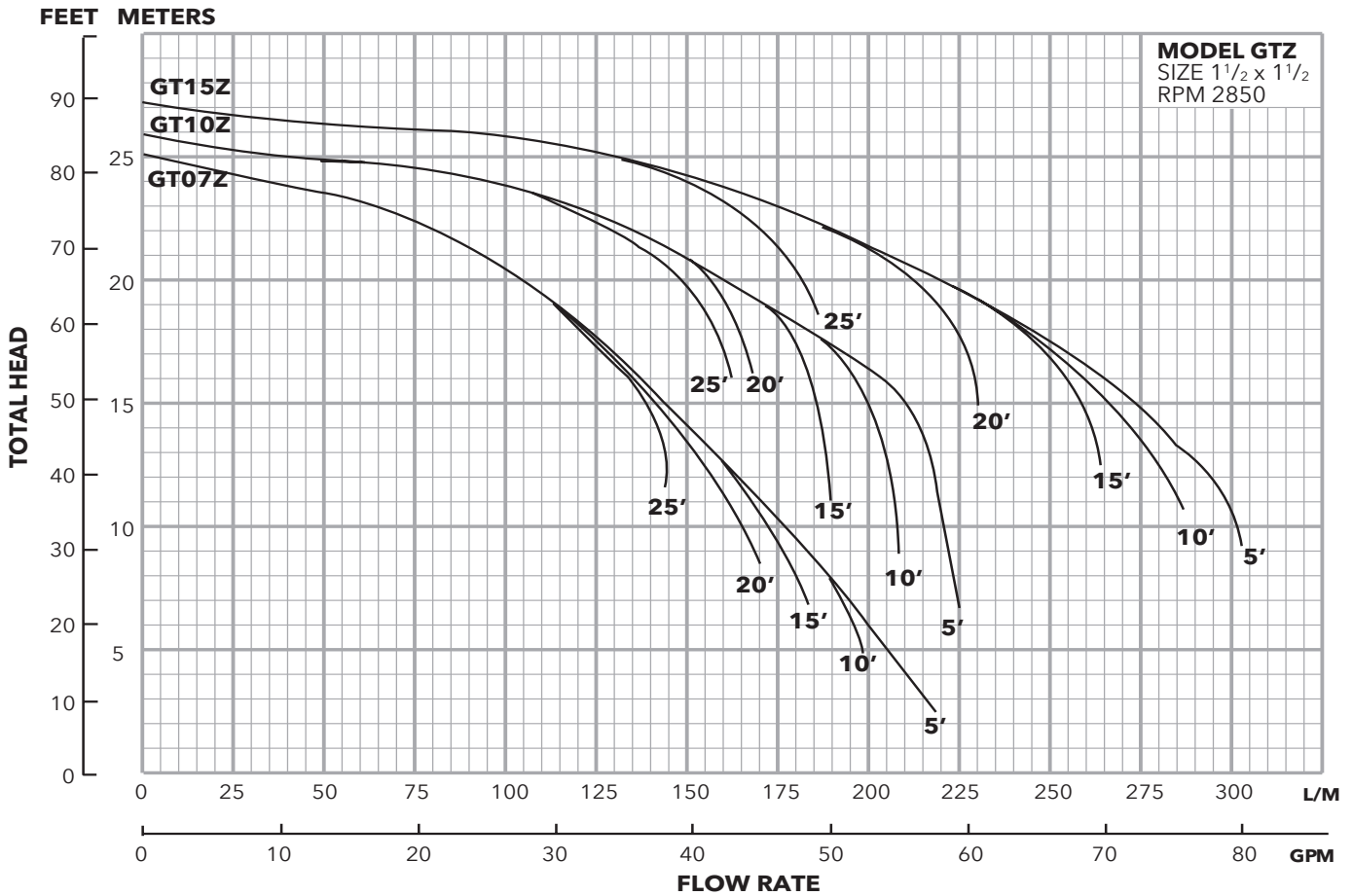
**Powered for Continuous Operation:** Pump ratings are within the motor manufacturer's recommended working limits. Can be operated continuously without damage.

**Mechanical Seal:** Carbon/ceramic faces, BUNA elastomers. 300 series stainless steel metal parts. Diaphragm prevents the seal from running dry.

#### Motor:

- NEMA standard open drip proof
- 50 Hz, 2850 RPM
- Stainless steel shaft
- Single phase: ¾-1½ HP, 110/220 V only. Built-in overload with automatic reset.
- Three phase: 190/380-415 V. Overload protection must be provided in starter unit. Starter and heaters (3) must be ordered separately.
- Optional TEFC motors are available. See price book for order numbers.

### PERFORMANCE CURVE



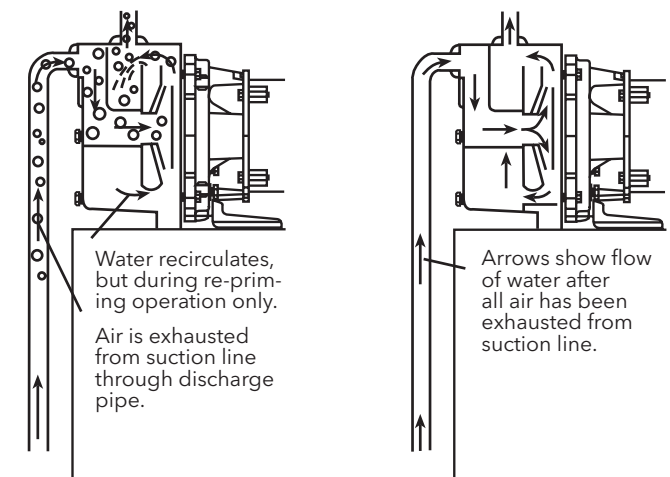
Single and three phase have same performance.

### PERFORMANCE RATINGS

HP/ Model	PSI Discharge Pressure	Suction Lift in Feet				
		5	10	15	20	25
¾ HP GT07Z	20	35	35	30	25	10
	30	20	9.9	–	–	–
	Max. Shut-Off (PSI)	34	32	29	27	25
1.0 HP GT10Z	20	55.1	50	45	40	35
	30	30	20	0	–	–
	Max. Shut-Off (PSI)	35	53	30	28	22
1½ HP GT15Z	20	70.2	64.9	60	50	40
	30	50.5	40	20	0	–
	Max. Shut-Off (PSI)	37	34	32	30	26

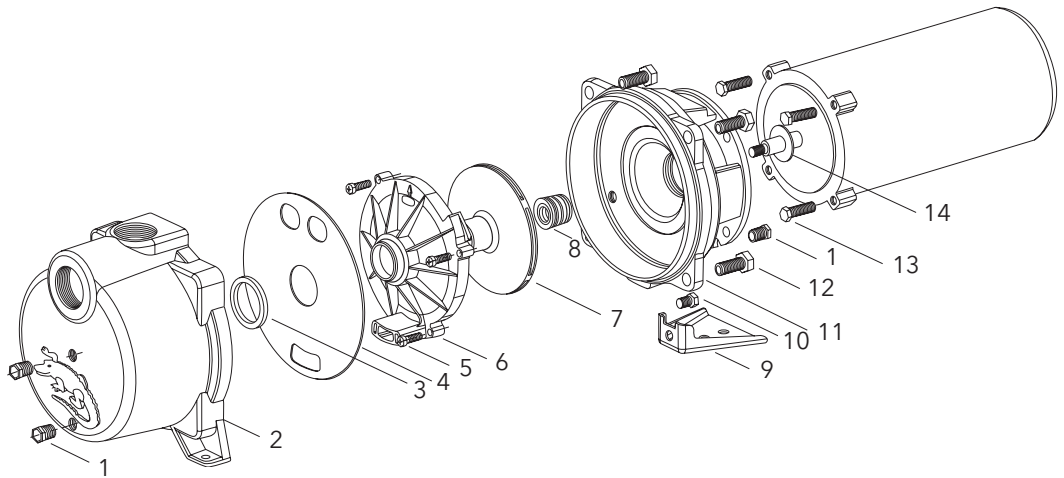
Performance ratings are in GPM.

### SELF-PRIMING (AFTER INITIAL PRIME)



## COMPONENTS

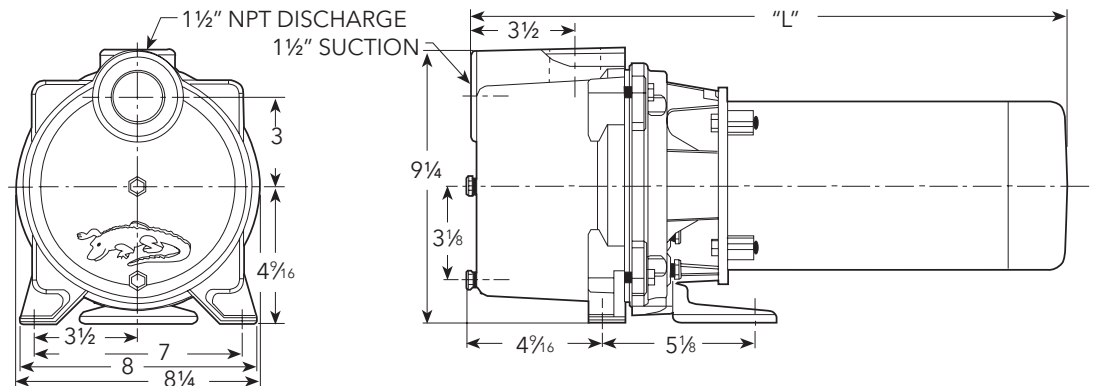
Item No.	Description
1	Plug - ¼" NPT
2	Casing
3	Seal ring - diffuser
4	Diaphragm
5	Machine screw
6	Diffuser with SS wear ring
7	Impeller
8	Mechanical seal
9	Foot - ¾ and 1 HP
10	Bolt - foot to adapter
11	Motor adapter
12	Bolt - casing to adapter
13	Bolt - adapter to motor
14	Deflector



## DIMENSIONS AND WEIGHTS

Model	GT07Z	GT10Z	GT15Z
HP	¾	1	1½
Length "L"	16⅝	17⅞	17⅞
Width	8¼		
Height	9¼		
Weight (lbs.)	48	52	60
Phase	Single		

(All dimensions are in inches and weights in lbs.  
Do not use for construction purposes.)



**xylem**  
Let's Solve Water

Xylem Inc.  
2881 East Bayard Street Ext., Suite A  
Seneca Falls, NY 13148  
Phone: (866) 325-4210  
Fax: (888) 322-5877  
[www.xylem.com/goulds](http://www.xylem.com/goulds)

Goulds is a registered trademark of Goulds Pumps, Inc. and is used under license.  
Irrigator is a trademark of Xylem Inc. or one of its subsidiaries.  
© 2019 Xylem Inc. BGTZ R3 October 2019