



# POLYETHYLENE BASINS AND COVERS

### FEATURES

Suitable for residential and light commercial sump or sewage applications.

Stacking ribs and tapered profile provide greater efficiency in shipping and storage.

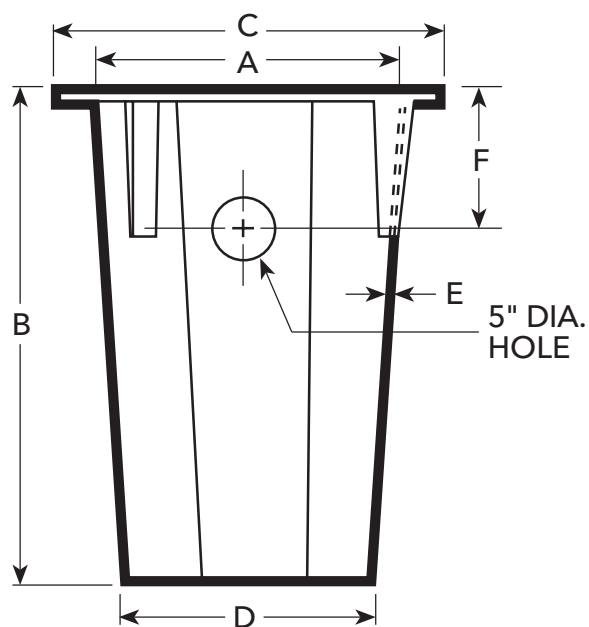
Made of non-corrosive, impact resistant, virgin polyethylene.

Basins are available with structural foam, steel or poly covers, sealing tape, 2 inch discharge/vent pipe grommets, 4 inch inlet pipe grommet and 2 inch cord seal.

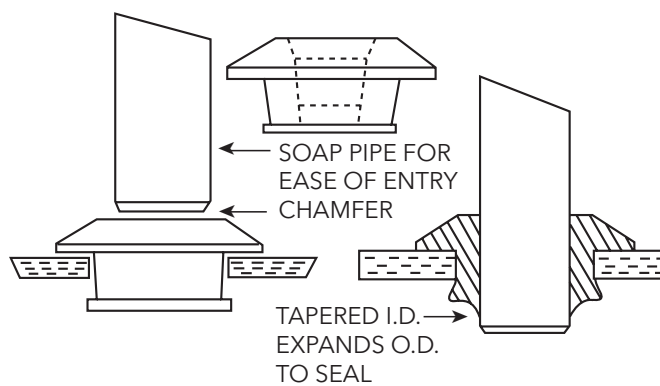
All basins listed are provided with inlet hole drilled.

Maximum fluid temperature: 130° F (54° C).

### DIMENSIONS



### PIPE GROMMET DETAIL



### SELECTION CHART

Order Number	Nominal Basin Size (inches)	Basin Style	Cover Style	Cover Dia. (in.)	Bolt Circle	No. Bolt Holes	In-side Dia. A	Height B	Out-side Dia. C	Base Dia. D	Thick-ness E	Inlet F	Capacity		Weight (lbs.)
													Total Gal.	Gal. Per Inch	
A7-1822P	18 x 22	Sump Crock	Slotted/ Poly	20.5	NA	NA	18"	22"	22"	17"	1/8"	-	22	1	6
A7-1830P	18 x 30	Poly Basin	Simplex Steel	20.5	19.5	4	18"	30"	22"	17"	3/8"	10 1/2	30	1	10
A7-1830IL	18 x 30	IAPMO <sup>①</sup>	Simplex Steel	20.5	19.5	4	18"	30"	22"	17"	3/8"	10 1/2	30	1	10
A7-1830SP	18 x 30	Side Vent	Simplex Steel	20.5	19.5	4	18"	30"	22"	17"	3/8"	10 1/2	30	1	18
A7-1830SPP	18 x 30	Side Vent	Simplex Poly	20.5	19.5	4	18"	30"	22"	17"	3/8"	10 1/2	30	1	15
A7-2331SP	23 x 31	Side Vent	Simplex Poly	28	24.5	6	23"	30"	29"	22"	3/8"	10 1/2	50	1.6	24
A7-1822LPN	18 x 22	Poly Basin	Slotted/ Poly	20.5	19.5	4	18"	22"	22"	17"	3/8"	10 1/2	19	1	6
A7-1822RPS	18 x 22	Radon Gas Tight	Simplex Steel	20.5	19.5	4	18"	22"	22"	17"	3/8"	10 1/2	19	1	14
A7-1822SVP	18 x 22	Side Vent	Simplex Poly	20.5	19.5	4	18"	22"	22"	17"	3/8"	10 1/2	19	1	10
A7-1824LP	18 x 24	Corrugated Poly	Slotted Poly	20.5	19.5	4	18"	24"	22"	17"	3/8"	10 1/2	22	1	9
A7-2424PS	24 x 24	Poly Basin	Simplex Steel	28	26.5	6	24"	24"	29"	23"	3/8"	10 1/2	43	1.9	35
A7-2430PS	24 x 30	Poly Basin	Simplex Steel	28	26.5	6	24"	30"	29"	23"	3/8"	10 1/2	54	1.9	39
A7-2436P	24 x 36	Poly Basin	Simplex Steel	28	26.5	6	24"	36"	29"	23"	3/8"	10 1/2	65	1.9	26
A7-3036PS	30 x 36	Poly Basin	Simplex Steel	34	32.5	6	30"	39"	36"	29"	3/8"	10 1/2	103	3	45
A7-3036PD	30 x 36	Poly Basin	Duplex Steel	34	32.5	6	30"	36"	35"	29"	3/8"	10 1/2	103	3	50
A7-3636PS	36 x 36	Poly Basin	Simplex Steel	40	38.5	6	36"	36"	41"	35"	3/8"	10 1/2	154	4.3	55
A7-3636PD	36 x 36	Poly Basin	Duplex Steel	40	38.5	6	36"	36"	41"	35"	3/8"	10 1/2	154	4.3	60

<sup>①</sup> This basin meets a 10' stack test requirement.

### PIPE GROMMETS FOR ALL BASINS AND COVERS UP TO 36" DIAMETER

Alcryn Thermoplastic can be used for basin inlet, discharge and vent connections.

Thermoplastic Uniseal Inlet Grommet		
Order Number	Pipe Size	Required Hole Diameter
A8-2U	2"	3"
A8-24U	2"	4"
A8-3U	3"	4"
A8-4U	4"	5"
A8-4DU	4" Double Seal	5"
A8-6U	6" Seal	7"

# Xylem |'zīləm|

- 1) The tissue in plants that brings water upward from the roots;
- 2) a leading global water technology company.

We're a global team unified in a common purpose: creating advanced technology solutions to the world's water challenges. Developing new technologies that will improve the way water is used, conserved, and re-used in the future is central to our work. Our products and services move, treat, analyze, monitor and return water to the environment, in public utility, industrial, residential and commercial building services settings. Xylem also provides a leading portfolio of smart metering, network technologies and advanced analytics solutions for water, electric and gas utilities. In more than 150 countries, we have strong, longstanding relationships with customers who know us for our powerful combination of leading product brands and applications expertise with a strong focus on developing comprehensive, sustainable solutions.

**For more information on how Xylem can help you, go to [www.xylem.com](http://www.xylem.com)**



Xylem Inc.  
Phone: (866) 325-4210  
Fax: (888) 322-5877  
[www.xylem.com/goulds](http://www.xylem.com/goulds)

Xylem is a registered trademark of Xylem Inc. or one of its subsidiaries. Goulds is a registered trademark of ITT Manufacturing Enterprises LLC and is used under license. All other trademarks or registered trademarks are property of their respective owners.  
© 2024 Xylem Inc. BCPOLY R6 January 2024