

Three Phase 4" Motors, 1/2-10 HP

60 HERTZ, 3450 RPM

Residential Water Systems

FEATURES

304 SS casing and end bells for corrosion resistance
Kingsbury type, 3 shoe, thrust bearing, see chart for ratings

Stainless steel, 17-4 PH splined shaft

Removable, replaceable motor leads, 48" (1/2 - 2 HP) or 100" (3 - 10 HP)

Water lubricated with filter/check valve to maintain fluid fill

Surge arrestors built-in

Magnetic starter with Class 10, quick-trip overload protection required.

NEMA Mounting Dimensions

MATERIALS OF CONSTRUCTION

Part	Material
Motor (Stator) Shell	304 SS
Shaft Extension	17-4 PH hardened SS
Motor End Bells	304 SS Castings
Upper and Lower Radial Bearings	Carbon Sleeve
Thrust Bearing	Kingsbury Type
Lead Wire	XLPE (14 AWG)
Lead Potting	Epoxy
Lead Connector	18-8 SS
Fasteners	18-8 SS
Sand Slinger / Slinger Seat	NBR / Delrin

APPLICATIONS

- 4" motors are designed and sized for installation in 4" diameter or larger water wells.

SPECIFICATIONS

- **Temperature Rating:** Rated for continuous duty in water of 86° F (30° C) maximum.
- **Cooling:** Proper motor cooling requires a water velocity past the motor of .25'/sec which translates into 1.2 GPM in a 4" casing, 7 GPM in a 5" casing and 13 GPM in a 6" casing.
- Surge arrestors built-in
- **Power Lead (14 AWG):** Removable and replaceable motor leads are held in place by two (2) stainless steel screws for positive compression and sealing. Leads are furnished with motors and are also available as replacement parts.
- **Rotation:** CCW, counterclockwise as you face the top or shaft end of the motor.
- **Starter:** Three phase units require a magnetic starter with three leg, Class 10, quick trip overload protection. Starters are ordered separately.

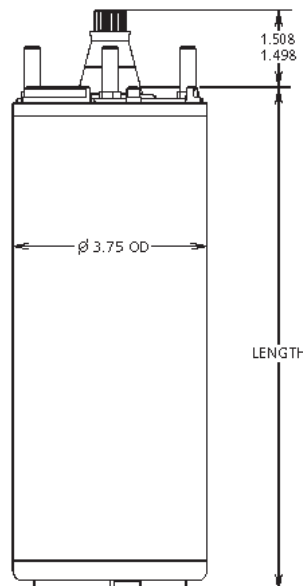
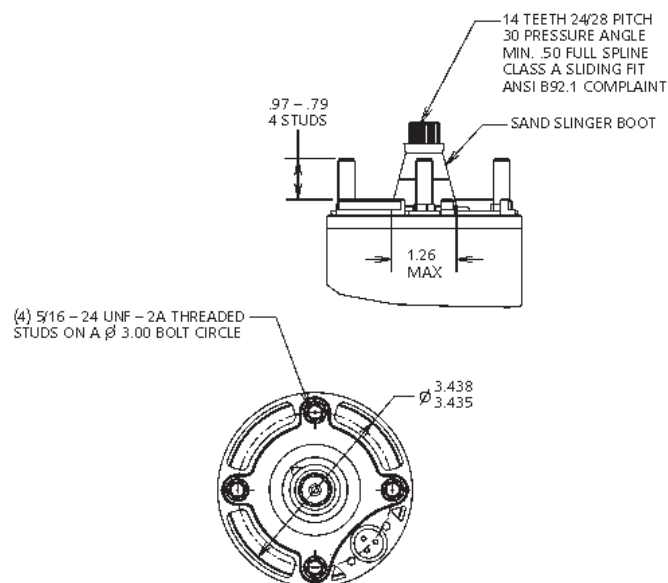
AGENCY LISTINGS



CentriPro Motor - tested to UL778 and CAN 22.2 by CSA International (Canadian Standards Association)



CentriPro Motor - Certified to NSF/ANSI 61, Annex G, Drinking Water System Components 4P49



Residential Water Systems

THREE PHASE, 4" MOTOR - ELECTRICAL DATA, 60 HERTZ, 3450 RPM

CentriPro #	Red Jacket #	HP	kW	Volts	SF	Full Load		Service Factor		Locked Rotor Amps	Line - Line Resistance
						Amps	Watts	Amps	Watts		
M05430	50C323	0.5	0.37	200	1.6	2.9	600	3.4	870	22	4.1 - 5.2
M07430	75C323	0.75	0.55		1.5	3.8	812	4.5	1140	32	2.6 - 3.0
M10430	100C323	1	0.75		1.4	4.6	1150	5.5	1500	29	3.4 - 3.9
M15430	150C323	1.5	1.1		1.3	6.3	1560	7.2	1950	40	1.9 - 2.5
M20430	200C323	2	1.5		1.25	7.5	2015	8.8	2490	51	1.4 - 2.0
M30430	300C323	3	2.2		1.15	10.9	2890	12.0	3290	71	0.9 - 1.3
M50430	500C323	5	3.7		1.15	18.3	4850	20.2	5515	113	0.4 - 0.8
M75430	750C323	7.5	5.5		1.15	27.0	7600	30.0	8800	165	0.5 - 0.6
M05432	50C313	0.5	0.37	230	1.6	2.4	610	2.9	880	17.3	5.7 - 7.2
M07432	75C313	0.75	0.55		1.5	3.3	850	3.9	1185	27	3.3 - 4.3
M10432	100C313	1	0.75		1.4	4.0	1090	4.7	1450	26.1	4.1 - 5.1
M15432	150C313	1.5	1.1		1.3	5.2	1490	6.1	1930	32.4	2.8 - 3.4
M20432	200C313	2	1.5		1.25	6.5	1990	7.6	2450	44	1.8 - 2.4
M30432	300C313	3	2.2		1.15	9.2	2880	10.1	3280	58.9	1.3 - 1.7
M50432	500C313	5	3.7		1.15	15.7	4925	17.5	5650	93	.85 - 1.25
M75432	750C313	7.5	5.5		1.15	24	7480	26.4	8570	140	.55 - .85
M05434	50C353	0.5	0.37	460	1.6	1.3	610	1.5	875	9	23.6 - 26.1
M07434	75C353	0.75	0.55		1.5	1.7	820	2.0	1140	14	14.4 - 16.2
M10434	100C353	1	0.75		1.4	2.2	1145	2.5	1505	13	17.8 - 18.8
M15434	150C353	1.5	1.1		1.3	2.8	1560	3.2	1980	16.3	12.3 - 13.1
M20434	200C353	2	1.5		1.25	3.3	2018	3.8	2470	23	8.0 - 8.67
M30434	300C353	3	2.2		1.15	4.8	2920	5.3	3320	30	5.9 - 6.5
M50434	500C353	5	3.7		1.15	7.6	4810	8.5	5530	48	3.58 - 4.00
M75434	750C353	7.5	5.5		1.15	12.2	7400	13.5	8560	87	1.9 - 2.3
M100434	1000C353	10	7.5	1.15	15.6	9600	17.2	11000	110	1.8 - 2.2	
M15437	150C363	1.5	1.1	575	1.3	2.0	1520	2.4	1950	11.5	19.8 - 20.6
M20437	200C363	2	1.5		1.25	2.7	1610	3.3	2400	21	9.4 - 9.7
M30437	300C363	3	2.2		1.15	3.7	2850	4.1	3240	21.1	9.4 - 9.7
M50437	500C363	5	3.7		1.15	7.0	5080	7.6	5750	55	3.6 - 4.2
M75437	750C363	7.5	5.5		1.15	9.1	7260	10.0	8310	55	3.6 - 4.2

DIMENSIONS AND WEIGHTS

HP	Volts	Length		Weight		
		In.	MM	Lb.	Kg.	
.5	200	10.0	254	19	8.7	
.75		10.8	275	22	9.7	
1		11.7	297	23	10.4	
1.5		11.7	297	23	10.4	
2		230	13.8	351	28	12.7
3			15.3	389	32	14.5
5		460	21.7	550	55	24.9
7.5			27.7	703	70	31.8
10	460	30.7	780	78	35.4	
1.5	575	11.7	297	23	10.4	
2		15.3	389	32	14.5	
3		15.3	389	32	14.5	
5		27.7	703	70	31.8	
7.5		27.7	703	70	31.8	

EFFICIENCY, THRUST RATING, FUSE/CIRCUIT BREAKER, KVA CODES

Motor Order No.		HP	Volts	Efficiency %		Thrust Rating	KVA Code	Standard Fuse		DE-TD Fuse		Circuit Breaker	
CentriPro	Red Jacket			F.L.	S.F.			Meets NEC based FLA	Max. Value based SFA	Meets NEC based FLA	Max. Value based SFA	Meets NEC based FLA	Max. Value based SFA
M05430	50C323	0.5	200	62	68.5	700 #	R	10	15	6	10	10	15
M07430	75C323	0.75		69	74		R	15	20	10	15	10	20
M10430	100C323	1		66	70		M	15	20	10	10	10	15
M15430	150C323	1.5		72	74		L	20	25	10	15	15	20
M20430	200C323	2		74	75	900 #	K	25	30	15	20	20	25
M30430	300C323	3		77	77		K	35	40	20	25	30	35
M50430	500C323	5		76	76	1500 #	J	60	70	35	40	50	60
M75430	750C323	7.5		74	74		J	80	90	50	60	70	80
M05432	50C313	0.5	230	61	68	700 #	R	6	10	6	6	6	10
M07432	75C313	0.75		66	71		R	6	15	6	10	6	10
M10432	100C313	1		69	72		M	10	15	6	10	10	15
M15432	150C313	1.5		75	76		K	15	20	10	15	15	15
M20432	200C313	2		75	75	900 #	K	15	25	15	15	20	20
M30432	300C313	3		77	77		J	25	35	15	20	25	30
M50432	500C313	5		76	76	1500 #	J	45	60	30	35	40	45
M75432	750C313	7.5		75	75		J	70	80	45	50	60	70
M05434	50C353	0.5	460	61	68	700 #	R	3	6	3	3	3	6
M07434	75C353	0.75		69	73.5		R	3	10	6	6	3	6
M10434	100C353	1		65	69		M	6	10	3	6	6	10
M15434	150C353	1.5		72	73		K	10	10	6	6	6	10
M20434	200C353	2		74	75	900 #	L	15	15	6	10	10	10
M30434	300C353	3		76	77		J	15	20	10	10	15	15
M50434	500C353	5		77	77	1500 #	J	25	30	15	20	20	20
M75434	750C353	7.5		76	76		L	40	50	25	30	35	40
M100434	1000C353	10		79	80		K	45	60	25	35	35	45
M15437	150C363	1.5	575	73	74	700 #	J	6	10	3	6	6	10
M20437	200C363	2		78	78	900 #	M	10	10	6	6	10	10
M30437	300C363	3		78	78		J	10	15	10	10	10	15
M50437	500C363	5		74	75	1500 #	M	20	25	15	15	20	20
M75437	750C363	7.5		77	77		J	25	35	20	20	25	30

THREE PHASE (November 2015)

As part of Faradyne Motors' continual improvement process, further improvements have been made to CentriPro Three Phase motors in November 2015. Our pump model numbers and motor order number will not change. To decipher the November 2015 motors from the previous three phase motors, please use the date code located on the motor. CentriPro motor date codes are 12 characters long, the first character represents the month and the fourth and fifth character represent the year. The self-stick, Mylar motor data stickers we pack with our motors and complete pumps will be updated with the new electrical data so that installers will know which motor is installed in the well should service work ever be necessary.

ELECTRICAL DATA, 60 HZ, 3450 RPM, 4" MOTORS (2015)

Type	CentriPro #	RJ Ref. #	HP	KW	Volts	Full Load			Service Factor		Locked	Winding Resistance
						SF	Amps	Watts	Amps	Watts	Rotor Amps	PH-PH
4" 3-Phase (PREMIUM)	M05430	50C323	0.5	0.37	200	1.6	2.9	600	3.4	870	22	4.1 - 5.2
	M07430	75C323	0.75	0.55		1.5	3.8	812	4.5	1140	32	2.6 - 3.0
	M10430	100C323	1	0.75		1.4	4.6	1150	5.5	1500	29	3.4 - 3.9
	M15430	150C323	1.5	1.1		1.3	6.3	1560	7.2	1950	40	1.9 - 2.5
	M20430	200C323	2	1.5		1.25	7.5	2015	8.8	2490	51	1.4 - 2.0
	M30430	300C323	3	2.2		1.15	10.9	2890	12.0	3290	71	1.2 - 1.5
	M50430	500C323	5	3.7		1.15	18.3	4850	20.2	5515	113	0.7 - 0.9
	M75430	750C323	7.5	5.5		1.15	27.0	7600	30.0	8800	165	0.4 - 0.6
	M05432	50C313	0.5	0.37	230	1.6	2.4	610	2.9	880	17.3	5.7 - 7.2
	M07432	75C313	0.75	0.55		1.5	3.3	850	3.9	1185	27	3.3 - 4.3
	M10432	100C313	1	0.75		1.4	4.0	1090	4.7	1450	26.1	4.1 - 5.1
	M15432	150C313	1.5	1.1		1.3	5.2	1490	6.1	1930	32.4	2.8 - 3.4
	M20432	200C313	2	1.5		1.25	6.5	1990	7.6	2450	44	2.2 - 2.8
	M30432	300C313	3	2.2		1.15	9.2	2880	10.1	3280	58.9	1.6 - 2.0
	M50432	500C313	5	3.7		1.15	15.7	4925	17.5	5650	93	.9 - 1.3
	M75432	750C313	7.5	5.5		1.15	24	7480	26.4	8570	140	.5 - .9
	M05434	50C353	0.5	0.37	460	1.6	1.3	610	1.5	875	9	23.6 - 26.1
	M07434	75C353	0.75	0.55		1.5	1.7	820	2.0	1140	14	14.4 - 16.2
	M10434	100C353	1	0.75		1.4	2.2	1145	2.5	1505	13	17.8 - 18.8
	M15434	150C353	1.5	1.1		1.3	2.8	1560	3.2	1980	16.3	12.3 - 13.1
	M20434	200C353	2	1.5		1.25	3.3	2018	3.8	2470	23	7.5 - 9.3
	M30434	300C353	3	2.2		1.15	4.8	2920	5.3	3320	30	6.3 - 7.7
	M50434	500C353	5	3.7		1.15	7.6	4810	8.5	5530	48	3.9 - 4.9
	M75434	750C353	7.5	5.5		1.15	12.2	7400	13.5	8560	87	2.1 - 2.7
	M100434	1000C353	10	7.5	1.15	15.6	9600	17.2	11000	110	1.8 - 2.2	
	M15437	150C363	1.5	1.1	575	1.3	2.0	1520	2.4	1950	11.5	19.8 - 20.6
	M20437	200C363	2	1.5		1.25	2.7	1610	3.3	2400	21	10.2 - 12.5
M30437	300C363	3	2.2	1.15		3.7	2850	4.1	3240	21.1	10.2 - 12.5	
M50437	500C363	5	3.7	1.15		7.0	5080	7.6	5750	55	3.6 - 4.2	
M75437	750C363	7.5	5.5	1.15		9.1	7260	10.0	8310	55	3.6 - 4.2	

4" MOTORS - ENGINEERING DATA (2015)

Type	CentriPro #	HP	Volts	Efficiency %		Thrust Rating	KVA Code	Standard Fuse		Dual Element Time Delay		Circuit Breaker	
				F.L.	S.F.			Meets NEC Based on FL	Max Value Based on SFA	Meets NEC Based on FL	Max Value Based on SFA	Meets NEC Based on FL	Max Value Based on SFA
4" 3-Phase (PREMIUM)	M05430	0.5	200	62	68	700 #	R	10	15	6	10	10	10
	M07430	0.75		69	74		R	15	15	10	15	10	15
	M10430	1		66	70		M	15	20	10	10	10	15
	M15430	1.5		72	74		L	20	25	10	15	15	20
	M20430	2		74	75	900 #	K	25	30	15	20	20	25
	M30430	3		77	77		K	35	40	20	25	30	35
	M50430	5		76	76	1500 #	J	60	70	35	40	50	60
	M75430	7.5		74	74		J	80	90	50	60	70	80
	M05432	0.5	230	61	68	700 #	R	6	10	6	6	6	10
	M07432	0.75		66	71		R	6	15	6	10	6	10
	M10432	1		69	72		M	10	15	6	10	10	15
	M15432	1.5		75	76		K	15	20	10	15	15	20
	M20432	2		75	75	900 #	K	15	25	15	15	20	20
	M30432	3		77	77		J	25	35	15	20	25	30
	M50432	5		76	76	1500 #	J	45	60	30	35	40	45
	M75432	7.5		75	75		J	70	80	45	50	60	70
	M05434	0.5	460	61	68	700 #	R	3	6	3	3	3	6
	M07434	0.75		69	73		R	3	10	6	6	3	6
	M10434	1		65	69		M	6	10	3	6	6	10
	M15434	1.5		72	73		K	10	10	6	6	6	10
	M20434	2		74	75	900 #	L	15	15	6	10	10	10
	M30434	3		76	77		J	15	20	10	10	15	15
	M50434	5		77	77	1500 #	J	25	30	15	20	15	25
	M75434	7.5		76	76		L	40	50	25	30	30	35
	M100434	10		79	80		K	45	60	25	35	35	45
	M15437	1.5	575	73	74	700 #	J	6	10	3	6	6	10
	M20437	2		78	78	900 #	M	10	10	6	6	10	10
	M30437	3		78	78		J	10	15	10	10	10	15
M50437	5	74		75	1500 #	M	20	25	15	15	20	20	
M75437	7.5	77		77		J	25	35	20	20	25	30	

NOTES

Xylem |'zīləm|

- 1) The tissue in plants that brings water upward from the roots;
- 2) a leading global water technology company.

We're a global team unified in a common purpose: creating innovative solutions to meet our world's water needs. Developing new technologies that will improve the way water is used, conserved, and re-used in the future is central to our work. We move, treat, analyze, and return water to the environment, and we help people use water efficiently, in their homes, buildings, factories and farms. In more than 150 countries, we have strong, long-standing relationships with customers who know us for our powerful combination of leading product brands and applications expertise, backed by a legacy of innovation.

For more information on how Xylem can help you, go to www.xylem.com



Xylem Inc.
2881 East Bayard Street Ext., Suite A
Seneca Falls, NY 13148
Phone: (866) 325-4210
Fax: (888) 322-5877
www.centripro.com

CentriPro is a trademark of Xylem Inc. or one of its subsidiaries.
© 2016 Xylem Inc. BCP3PH R9 June 2016