



# 6HSZ, 8HSZ, 11HSZ, 16HSZ

1.35-3.5 M<sup>3</sup>/H .37-1.1 KW, 50 HZ SUBMERSIBLE PUMPS

## 50 Hz Residential Water Systems

### FEATURES

Powered by CentriPro 4" motors for dependable operation and long service life.

Nylon discharge head features built-in, o-ring seal check valve which is easily removed without pump disassembly.

Nylon motor adapter for strength and corrosion resistance.

Stainless steel hex design shafts, shaft couplings, casings and stage bowls inhibit corrosion.

Glass filled engineered composite impellers for abrasion resistance and durability.

Glass filled engineered composite diffusers are abrasion resistant.

All engineered composite components are non-toxic, non-leaching, FDA compliant materials.

Goulds Water Technology field proven floating impeller stack design for superior sand and abrasive handling and durability.

### QUAD LOCK TECHNOLOGY

4 roll formed grooves provides one of the strongest connection available

Provides the durability and sealing needed in the toughest conditions

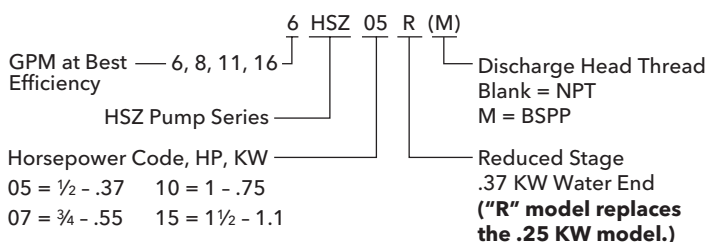
Tensile strength tested to exceed strength of poly and PVC Pipe



### SPECIFICATIONS

Model	KW Range	Rec. Flow Range m <sup>3</sup> /h	Best Eff. m <sup>3</sup> /h	1 1/4 Discharge	Minimum Well Diameter	Rotation
6HSZ	.37-.75	.3-2	1.35	NPT or BSPP	4"	CCW when observed from pump end
8HSZ	.37-.75	.5-2.7	1.8			
11HSZ	.37-1.1	.75-4	2.5			
16HSZ	.55-1.1	1-5.8	3.5			

### NOMENCLATURE



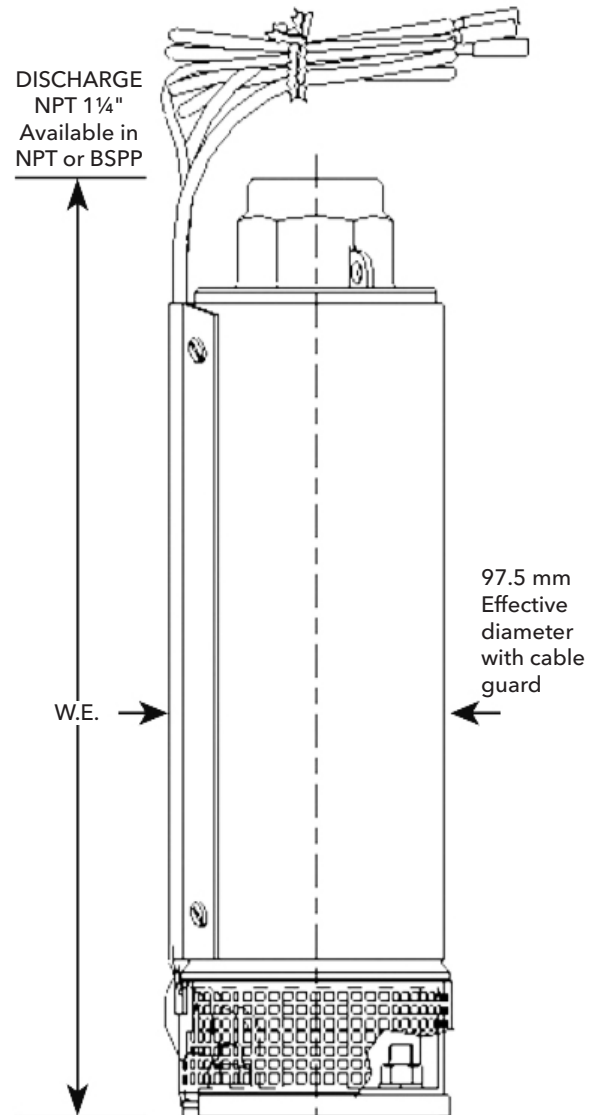
## 50 Hz Residential Water Systems

### WATER END DATA

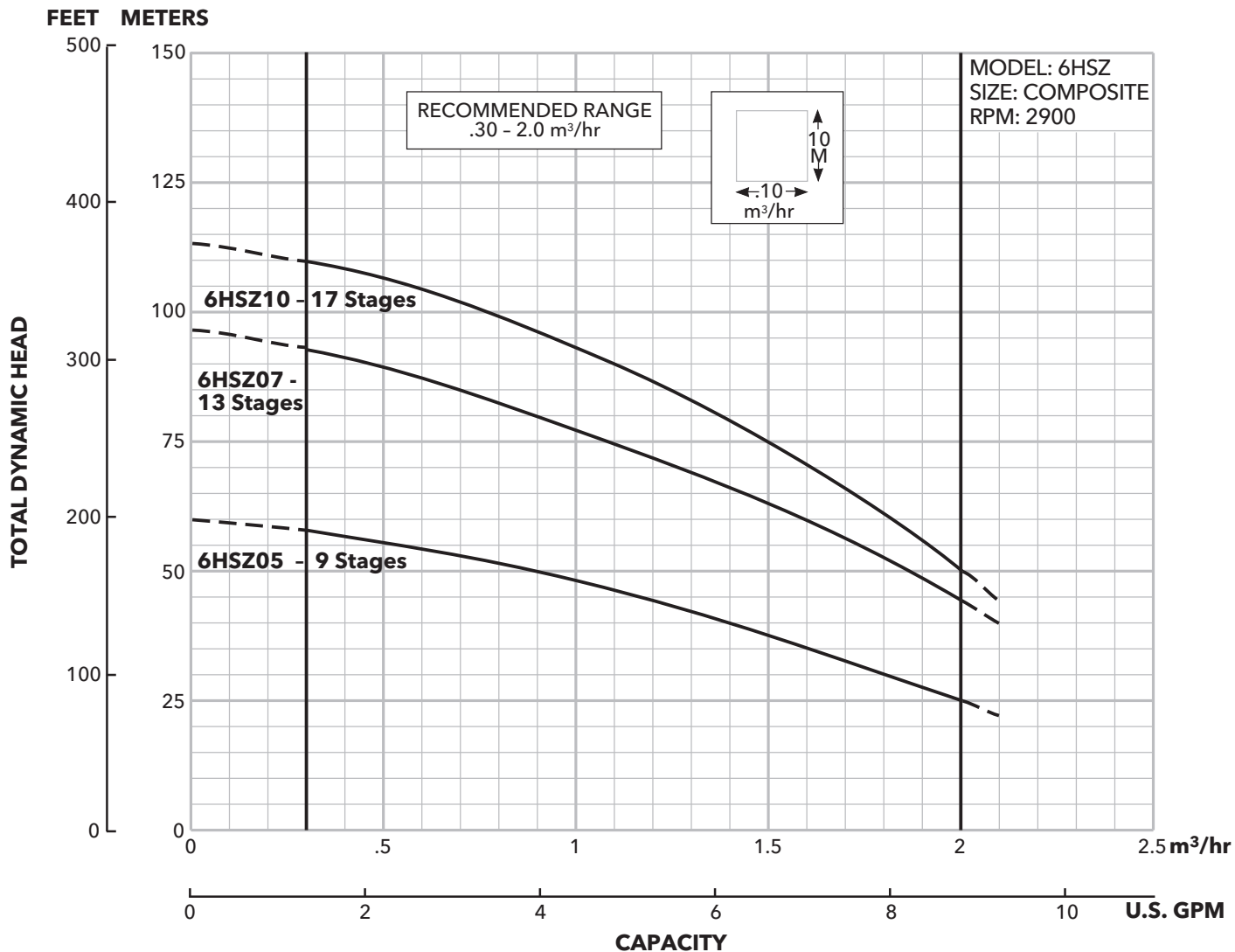
Series	Product No.	Stages	W.E. Length		W.E. Weight		Req. Min.	
			MM	In.	Kg	Lbs.	Kw	HP
6	6HSZ05	9	342.81	13.50	2.09	4.6	0.37	0.5
	6HSZ07	13	415.40	16.35	2.68	5.9	0.55	0.75
	6HSZ10	17	488.00	19.21	3.27	7.2	0.75	1
8	8HSZ05	7	301.98	11.89	1.77	3.9	0.37	0.5
	8HSZ07	10	354.48	13.96	2.22	4.9	0.55	0.75
	8HSZ10	14	424.48	16.71	2.81	6.2	0.75	1
11	11HSZ05	5	266.98	10.51	1.50	3.3	0.37	0.5
	11HSZ07	8	319.48	12.58	1.95	4.3	0.55	0.75
	11HSZ10	11	371.98	14.65	2.40	5.3	0.75	1
	11HSZ15	16	459.49	18.09	3.67	8.1	1.1	1.5
16	16HSZ07	7	330.96	13.03	1.90	4.2	0.55	0.75
	16HSZ10	9	374.24	14.73	2.22	4.9	0.75	1
	16HSZ15	14	482.45	18.99	3.17	7	1.1	1.5

### MATERIALS OF CONSTRUCTION

Part Name	Material
Discharge Head	Glass Filled Engineered Composite
Check Valve Poppet	Delrin®
Check Valve O-ring	NBR
Bearing	Proprietary Engineered Polymer
Shaft Retaining Ring	AISI 301 SS
Diffuser	Glass Filled Engineered Composite
Impeller	Glass Filled Engineered Composite/ GFN2
Bowl	AISI 304 SS
Shim	AISI 304 SS
Inlet Strainer	Glass Filled Engineered Composite
Screws - Cable Guard	AISI 304 SS
Motor Adapter	Glass Filled Engineered Composite
Casing	AISI 304 SS
Shaft	
Coupling	AISI 304 SS, Powder Metal
Cable Guard	PVC

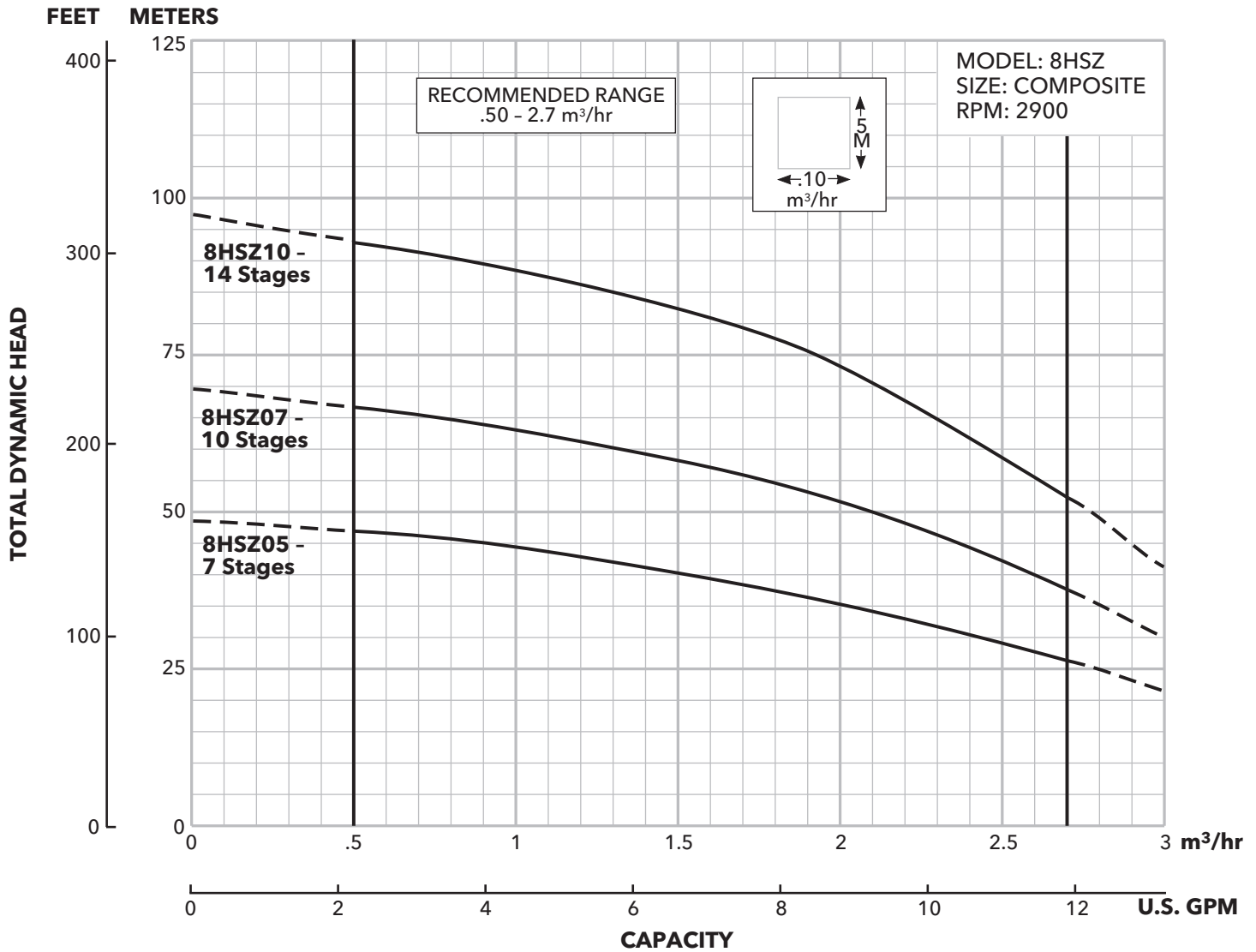


### MODEL 6HSZ

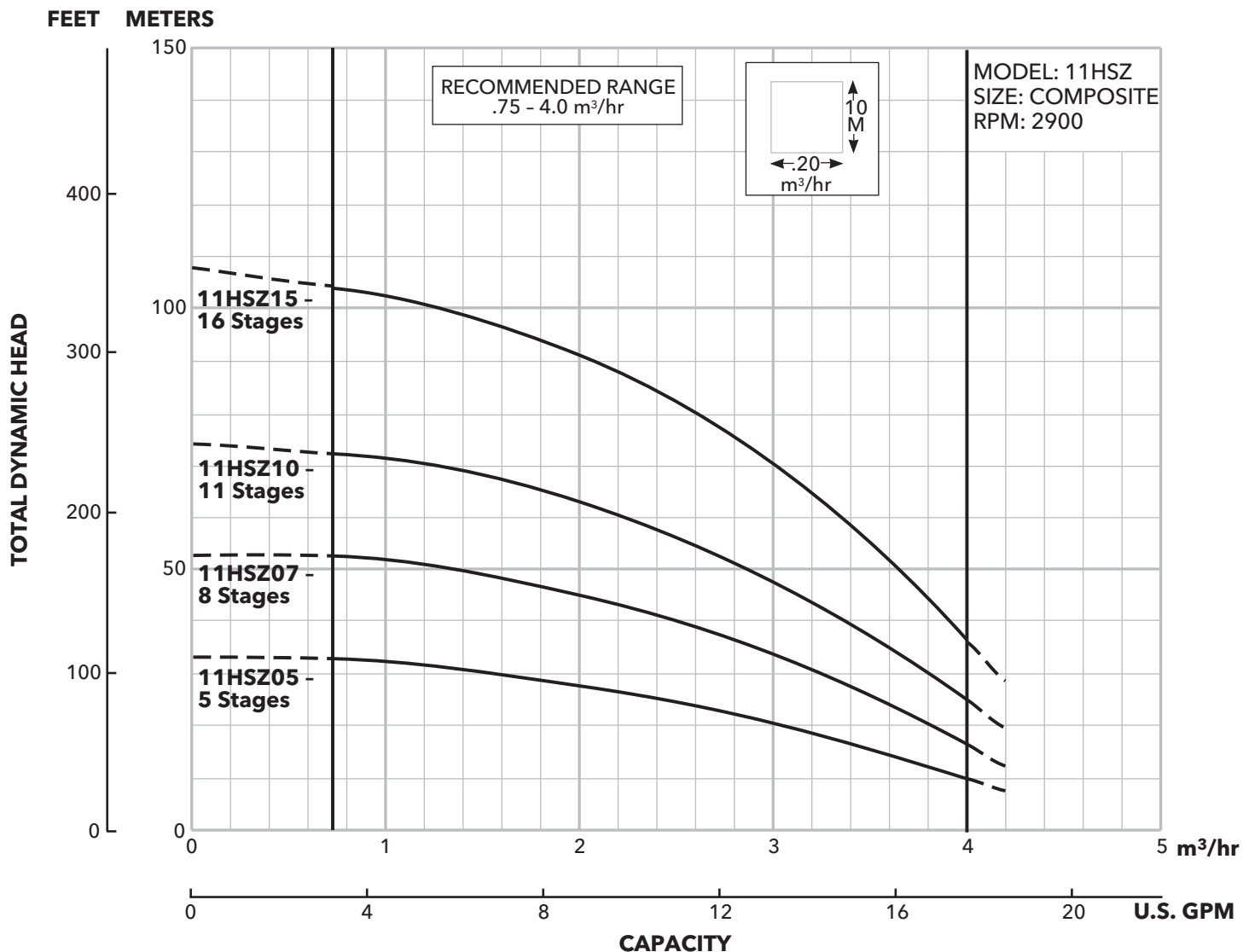


## 50 Hz Residential Water Systems

### MODEL 8HSZ

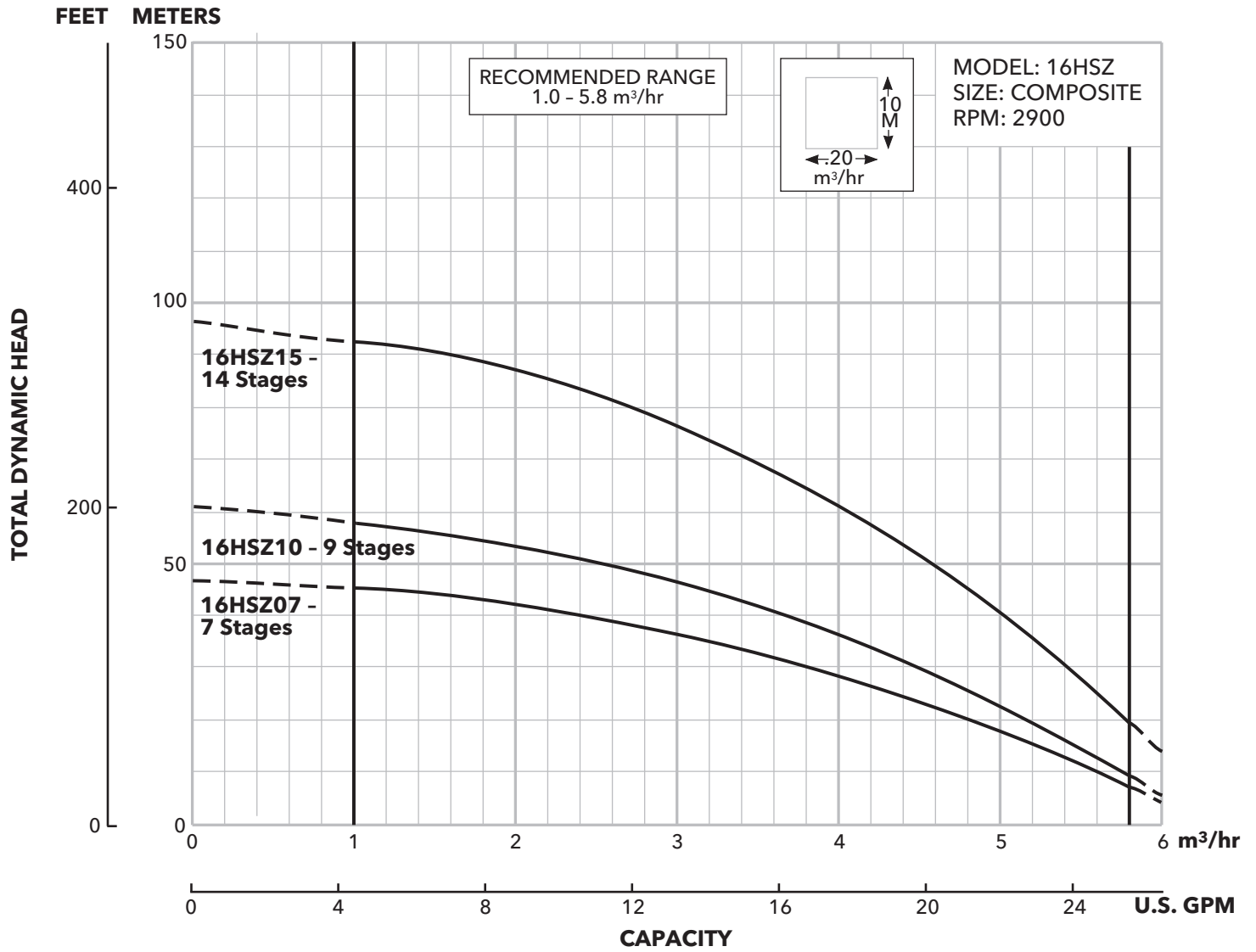


### MODEL 11HSZ



## 50 Hz Residential Water Systems

### MODEL 16HSZ



# Xylem |'zīləm|

- 1) The tissue in plants that brings water upward from the roots;
- 2) a leading global water technology company.

We're a global team unified in a common purpose: creating advanced technology solutions to the world's water challenges. Developing new technologies that will improve the way water is used, conserved, and re-used in the future is central to our work. Our products and services move, treat, analyze, monitor and return water to the environment, in public utility, industrial, residential and commercial building services settings. Xylem also provides a leading portfolio of smart metering, network technologies and advanced analytics solutions for water, electric and gas utilities. In more than 150 countries, we have strong, long-standing relationships with customers who know us for our powerful combination of leading product brands and applications expertise with a strong focus on developing comprehensive, sustainable solutions.

**For more information on how Xylem can help you, go to [www.xylem.com](http://www.xylem.com)**



Xylem Inc.  
2881 East Bayard Street Ext., Suite A  
Seneca Falls, NY 13148  
Phone: (866) 325-4210  
Fax: (888) 322-5877  
[www.xylem.com/goulds](http://www.xylem.com/goulds)

Goulds is a registered trademark of Goulds Pumps, Inc. and is used under license.  
© 2020 Xylem Inc. B6-16HSZ R1 May 2020