



**TECHNICAL BROCHURE**  
B2INGFKV



# 2" GFK & GFV Series

SUBMERSIBLE SEWAGE PUMPS



### FEATURES

**SELF-CLEANING:** The patented design of the self-cleaning K-impeller has been proven to reduce clogging and maintain efficiency when pumping wastewater

**SOLIDS HANDLING:** The vortex impeller can handle solids up to 2" in size and resists clogging better than a traditional two-vane impeller

**POWERFUL:** An efficient air-filled motor provides built-in thermal overload protection allowing the pump to run continuously without overheating

**ROBUST:** Components are made from robust cast iron for long life and easy maintenance

**DURABLE:** Heavy-duty long life bearings provide peace of mind

**SMOOTH:** The double mechanical seal provides extra reliability and protects against leakage\*

**INSTALLATION OPTIONS:** Pump has built-in dual seal and sensors for high temperature and seal leak detection which accommodate upgraded panel installations\*

\* Upgraded installation required for seal leak detection

### APPLICATIONS

Used in a variety of residential, commercial and industrial applications such as:


- Sewage systems
- Flood and pollution control
- Dewatering/effluent
- Farms
- Hospitals
- Trailer courts
- Motels

### SPECIFICATIONS

- **Capacities:**  
2" Series: Up to 290 gpm
- **Total head:**  
2" Series: Up to 88 feet TDH
- **Horsepower:**  
2" Series: Up to 3.8 hp
- **Discharge size:**  
2" Series: 2" outlet, threaded 2-11 1/2 NPT

- **Insulation:** Class F: 310° F (155° C)
- **Maximum Fluid Temperature:** 104° F (40° C)
- **Phase:** Three-phase
- **Frequency:** 60 Hz
- **Impeller:**  
GFK Series: Self-cleaning K-impeller  
GFV Series: Vortex impeller
- **Motor:** Air-filled 3400 rpm motor with built-in thermal overload protection
- **Bearings:** Single row ball bearings
- **Upper-Lower Seal Configurations (configurations vary by model):**
  - Carbon/Aluminum Oxide - SilCar/SilCar
  - Carbon/Aluminum Oxide - Aluminum Oxide/WCCR
- **Cable Length:** 50 ft (16 m) power cord

### AGENCY LISTINGS

 Tested to UL 778 and CSA 22.2 108 standards by Canadian Standards Association



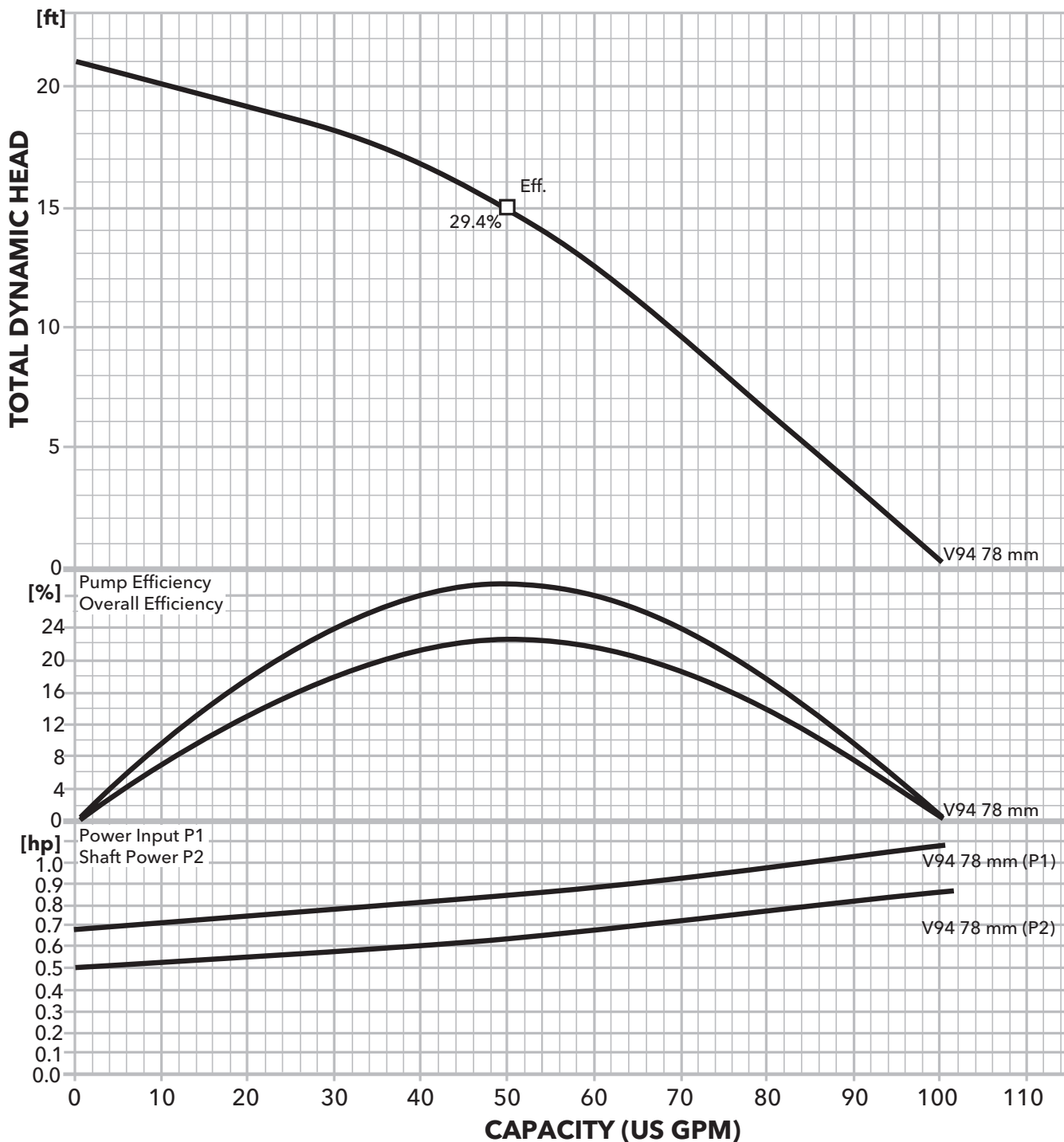
**Upgraded installation requires MiniCAS module in control panel.**

### PRODUCT SPECIFICATIONS

GWT Part No.	HP	Phase	Hz	Voltage	Max Amps	Weight (lbs.)
2GFV1212F	1.2	3	60	200	3.8	67
2GFV1213F				230	4	
2GFV1214F				460	2	
2GFV1712E	1.7			200	5.1	67
2GFV1713E				230	5	
2GFV1714E				460	2.5	
2GFV3212K	3.2			200	9.8	102
2GFV3213K				230	8.8	
2GFV3214K				460	4.4	
2GFV3812J	3.8			200	12	102
2GFV3813J				230	10.2	
2GFV3814J				460	5.1	
2GFK1212D	1.2			200	3.8	67
2GFK1213D				230	4	
2GFK1214D				460	2	
2GFK1712C	1.7			200	5.1	67
2GFK1713C				230	5	
2GFK1714C				460	2.5	
2GFK1712B	1.7	200	5.1	67		
2GFK1713B		230	5			
2GFK1714B		460	2.5			
2GFK2412H	2.4	200	7.7	102		
2GFK2413H		230	7.2			
2GFK2414H		460	3.6			
2GFK3212G	3.2	200	9.8	102		
2GFK3213G		230	8.8			
2GFK3214G		460	4.4			
2GFK3812A	3.8	200	12	102		
2GFK3813A		230	10.2			
2GFK3814A		460	5.1			

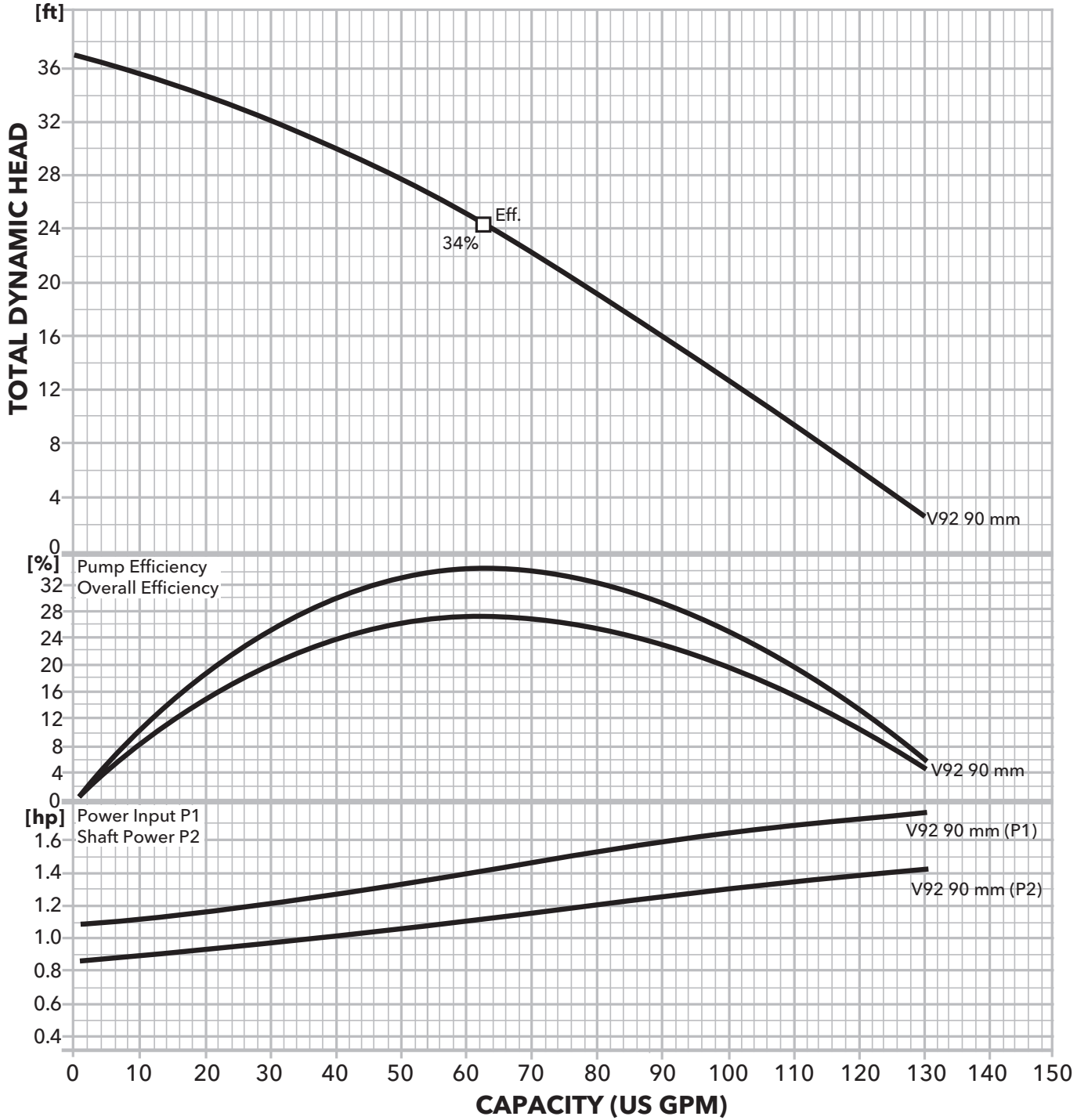
## PERFORMANCE CURVES

2" GFV 1.2 HP - F



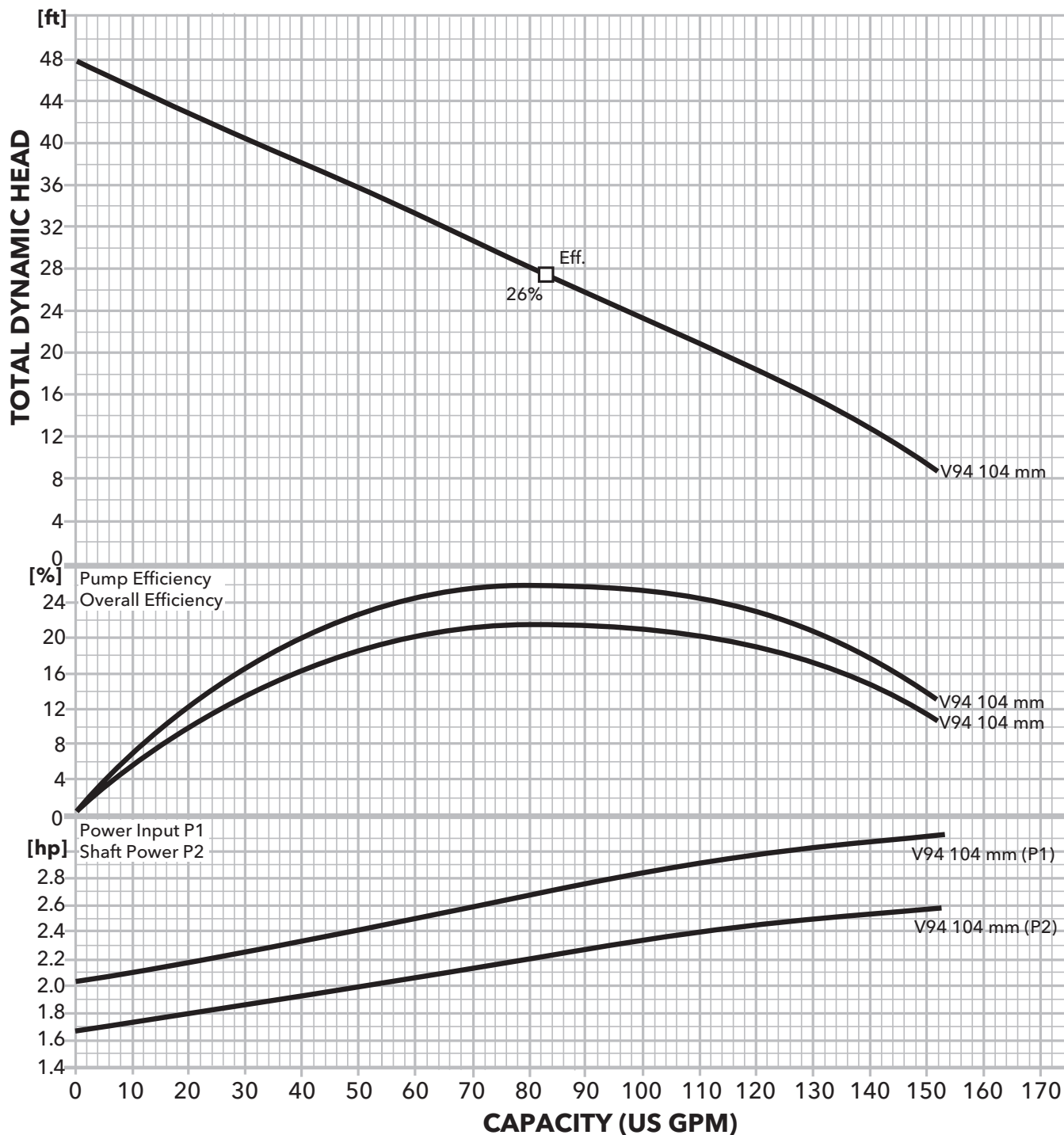
## PERFORMANCE CURVES

### 2" GFV 1.7 HP - E



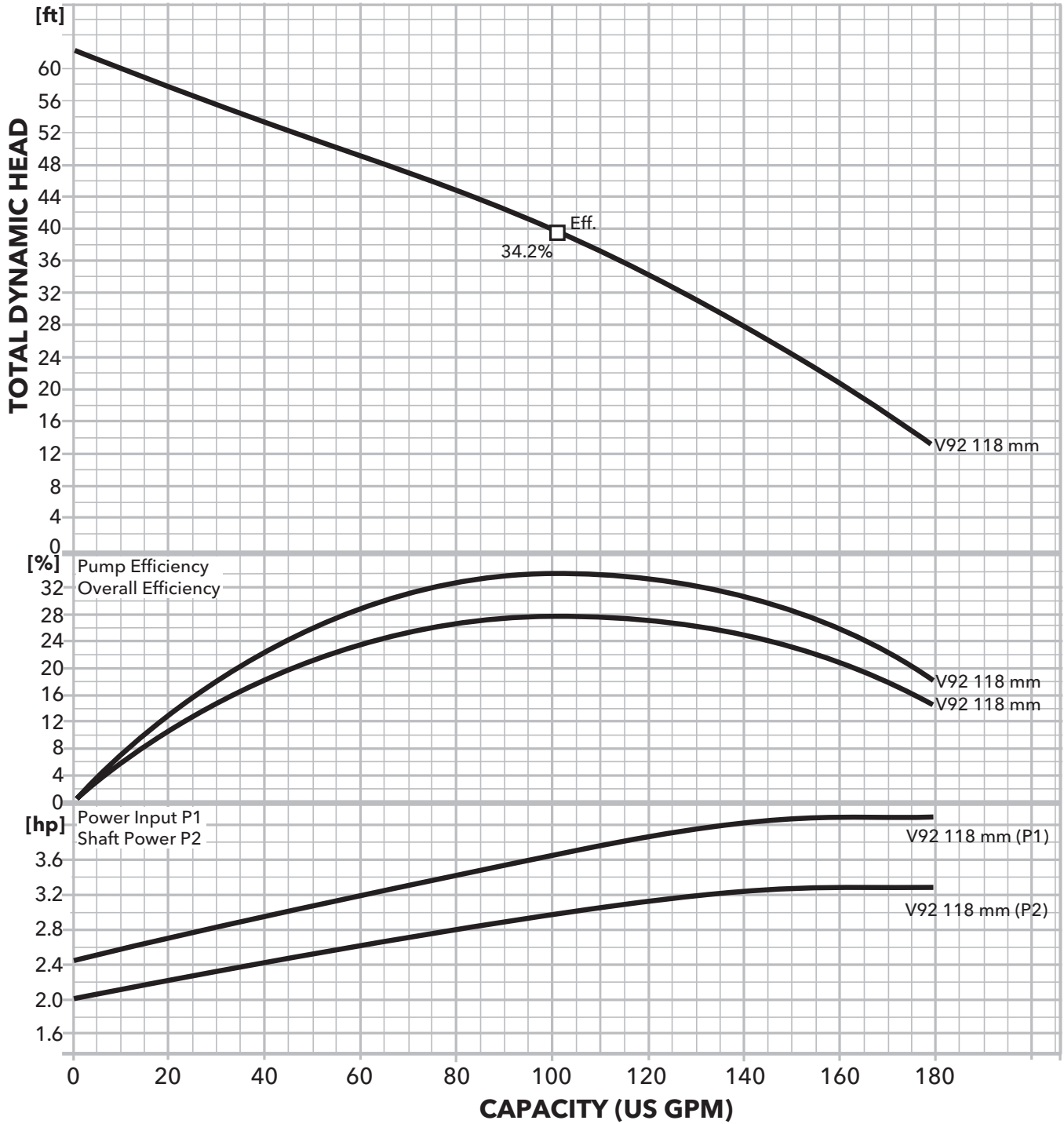
## PERFORMANCE CURVES

### 2" GFV 3.2 HP - K



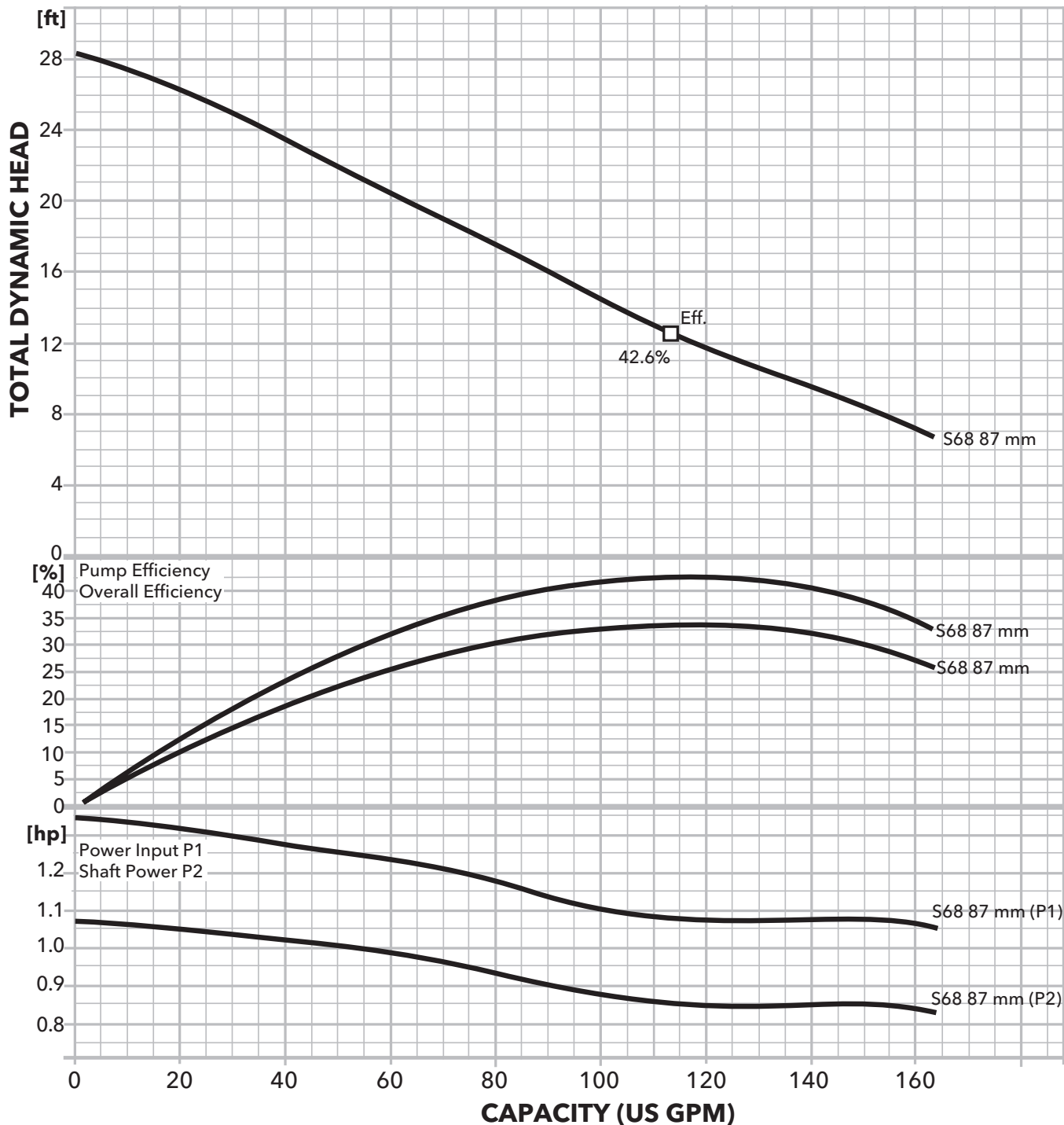
## PERFORMANCE CURVES

### 2" GFV 3.8 HP - J



## PERFORMANCE CURVES

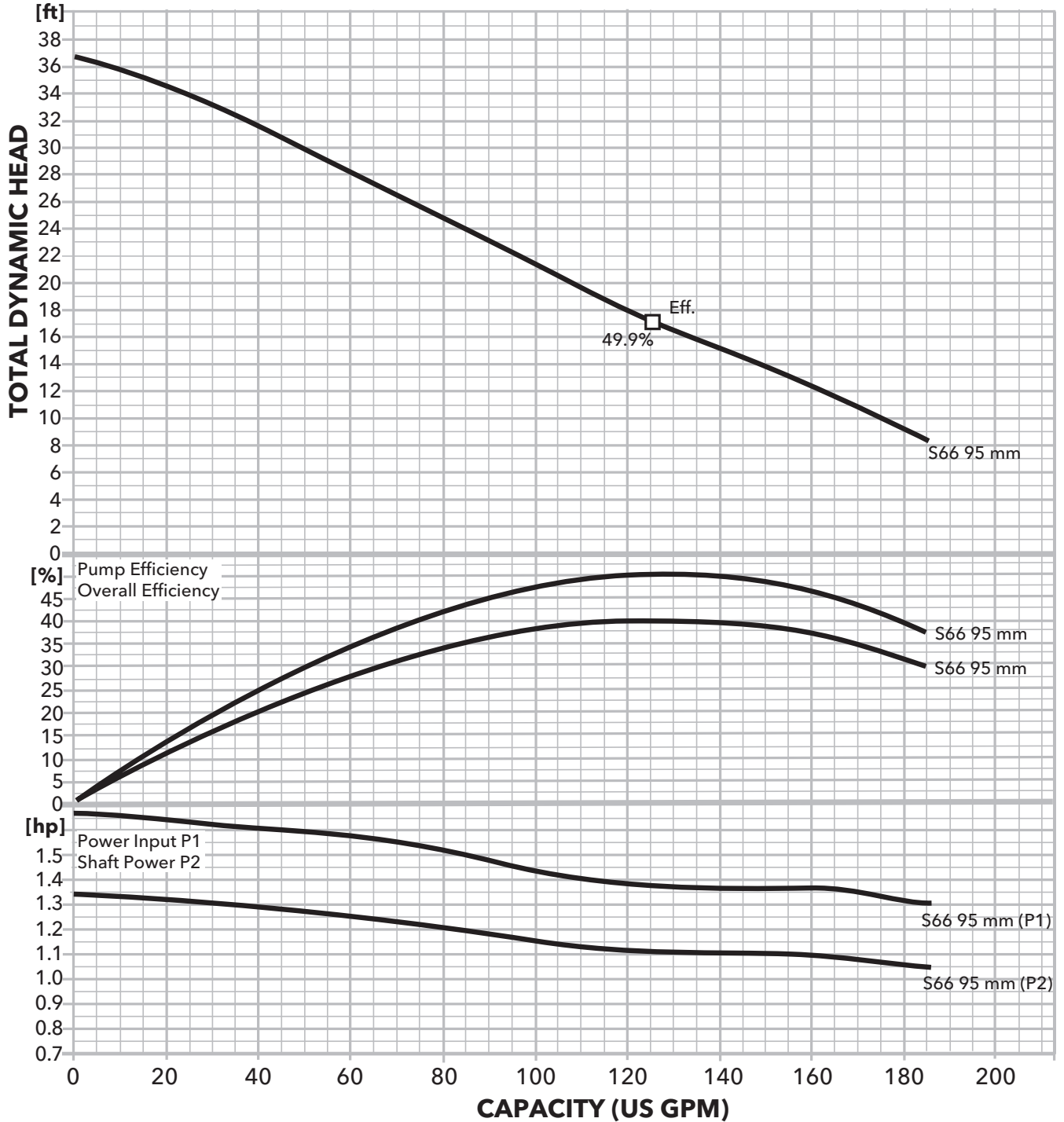
### 2" GFK 1.2 HP - D





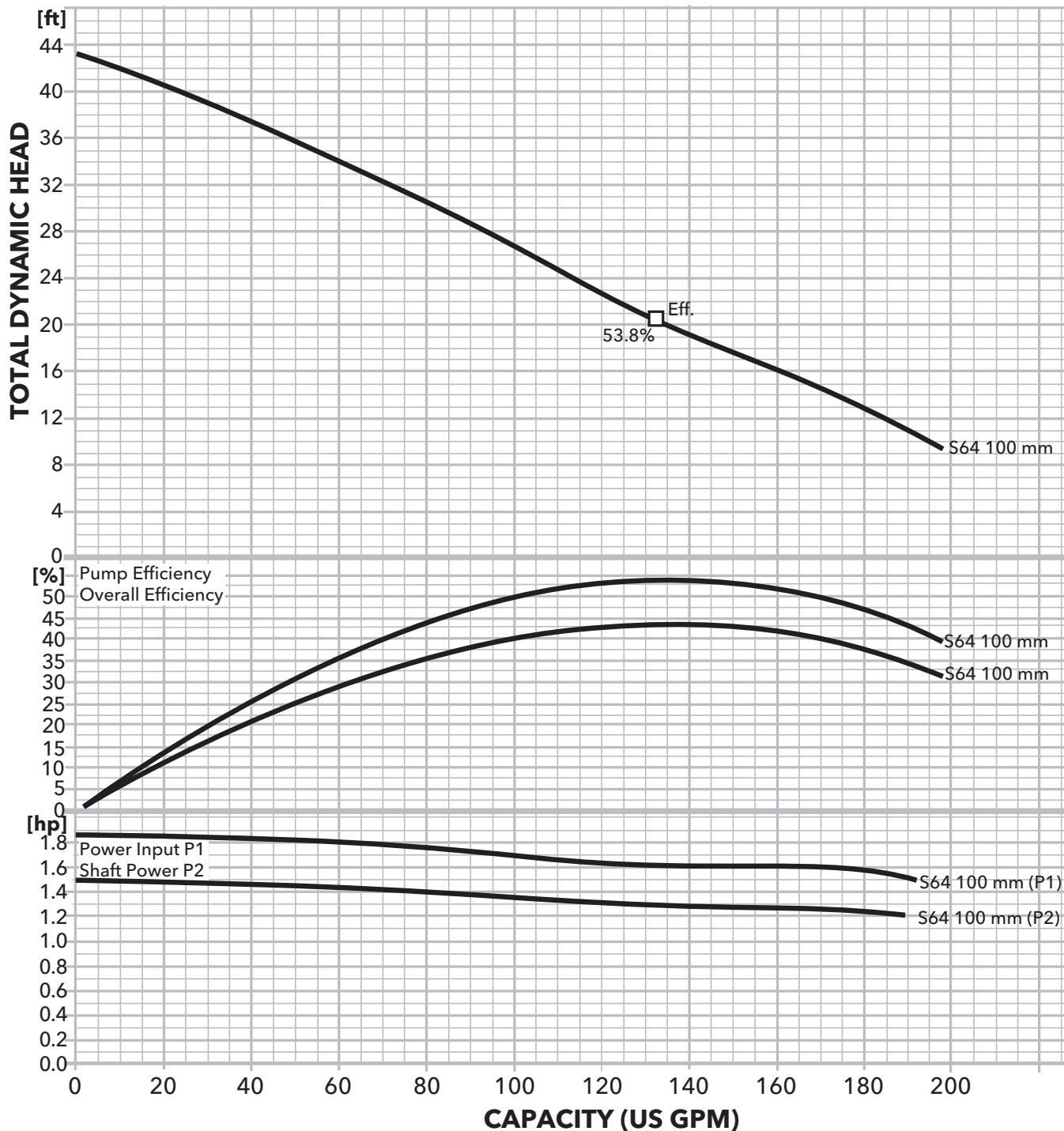
## PERFORMANCE CURVES

### 2" GFK 1.7 HP - C



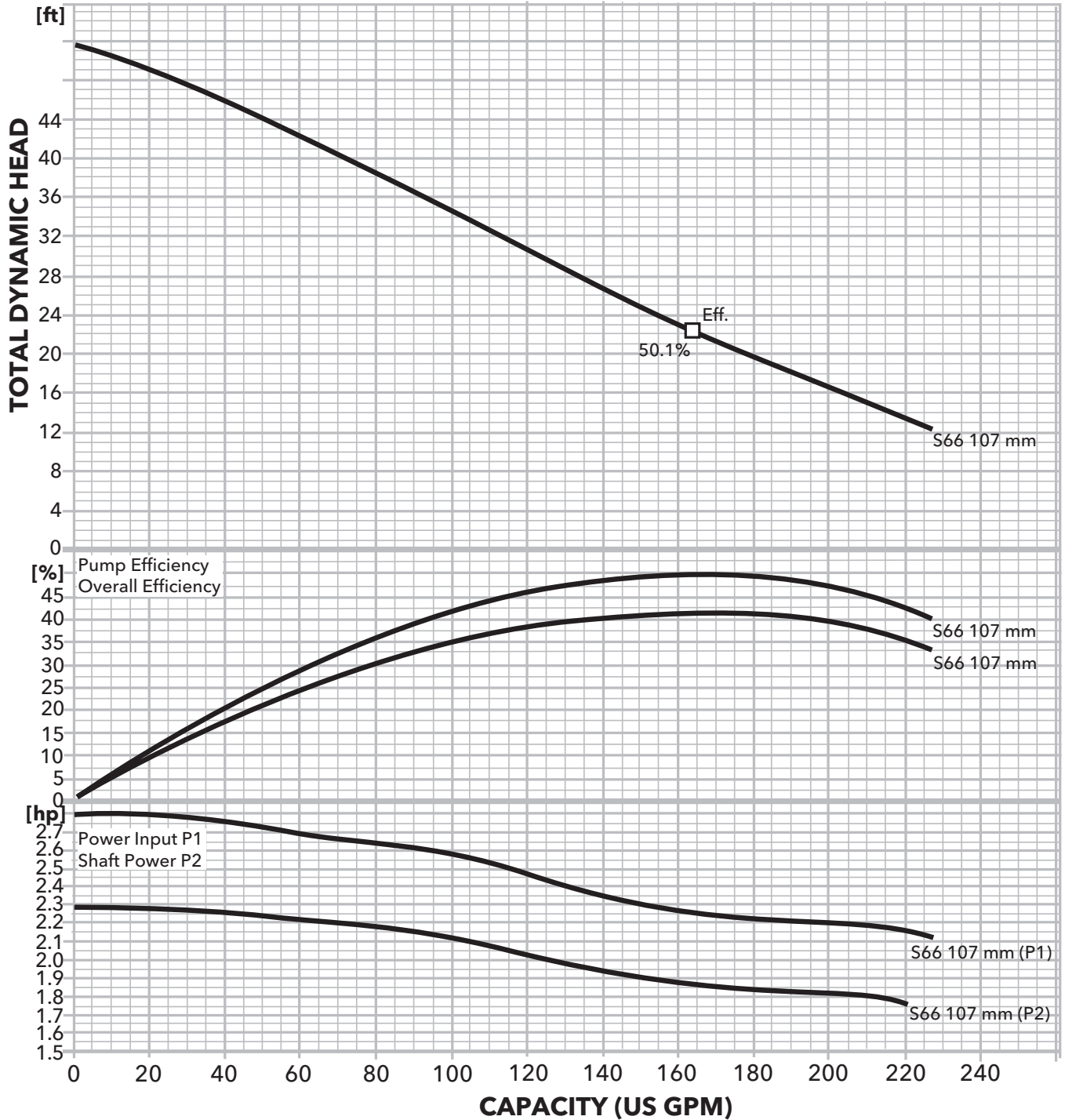
## PERFORMANCE CURVES

### 2" GFK 1.7 HP - B



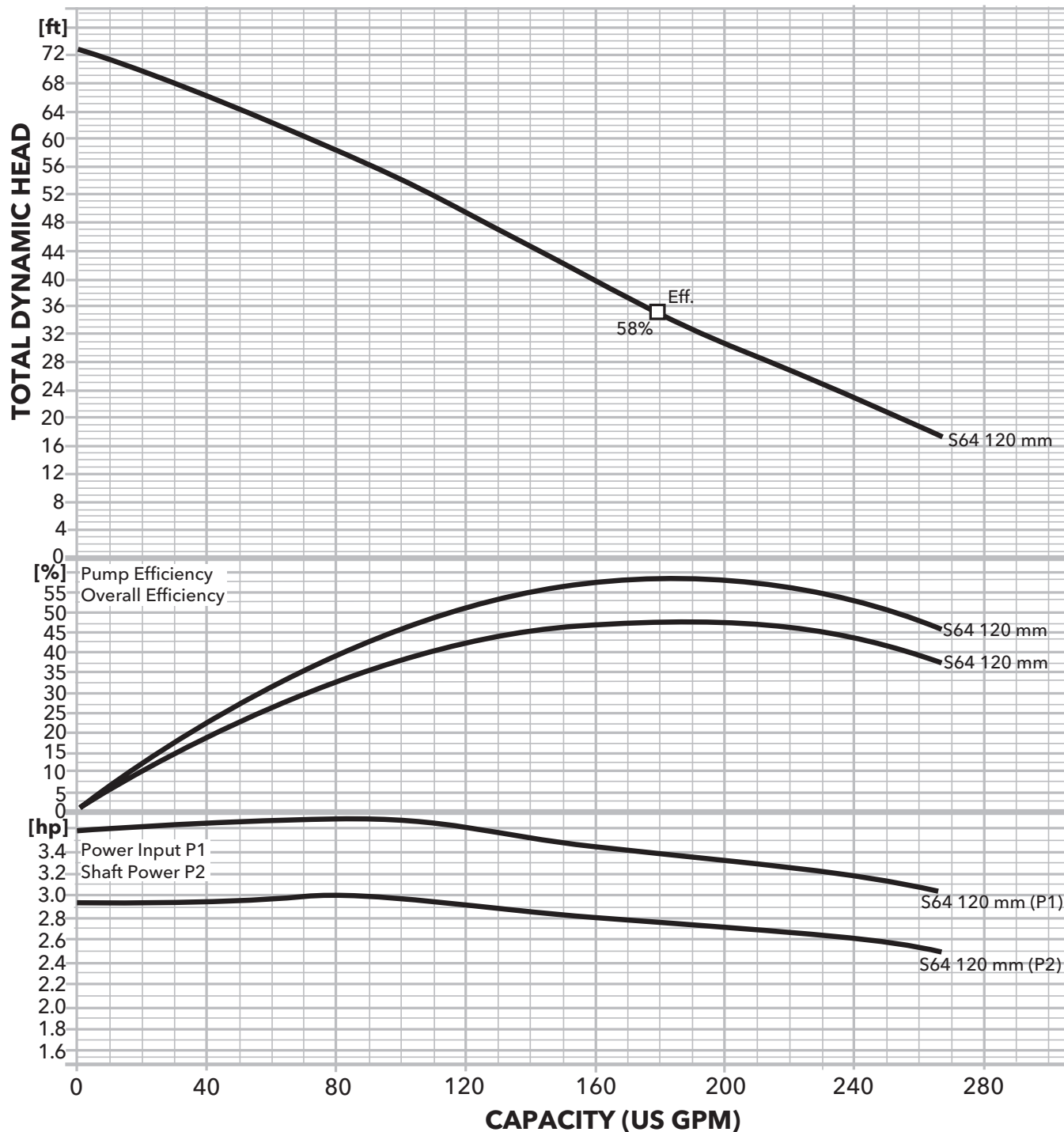
## PERFORMANCE CURVES

### 2" GFK 2.4 HP - H



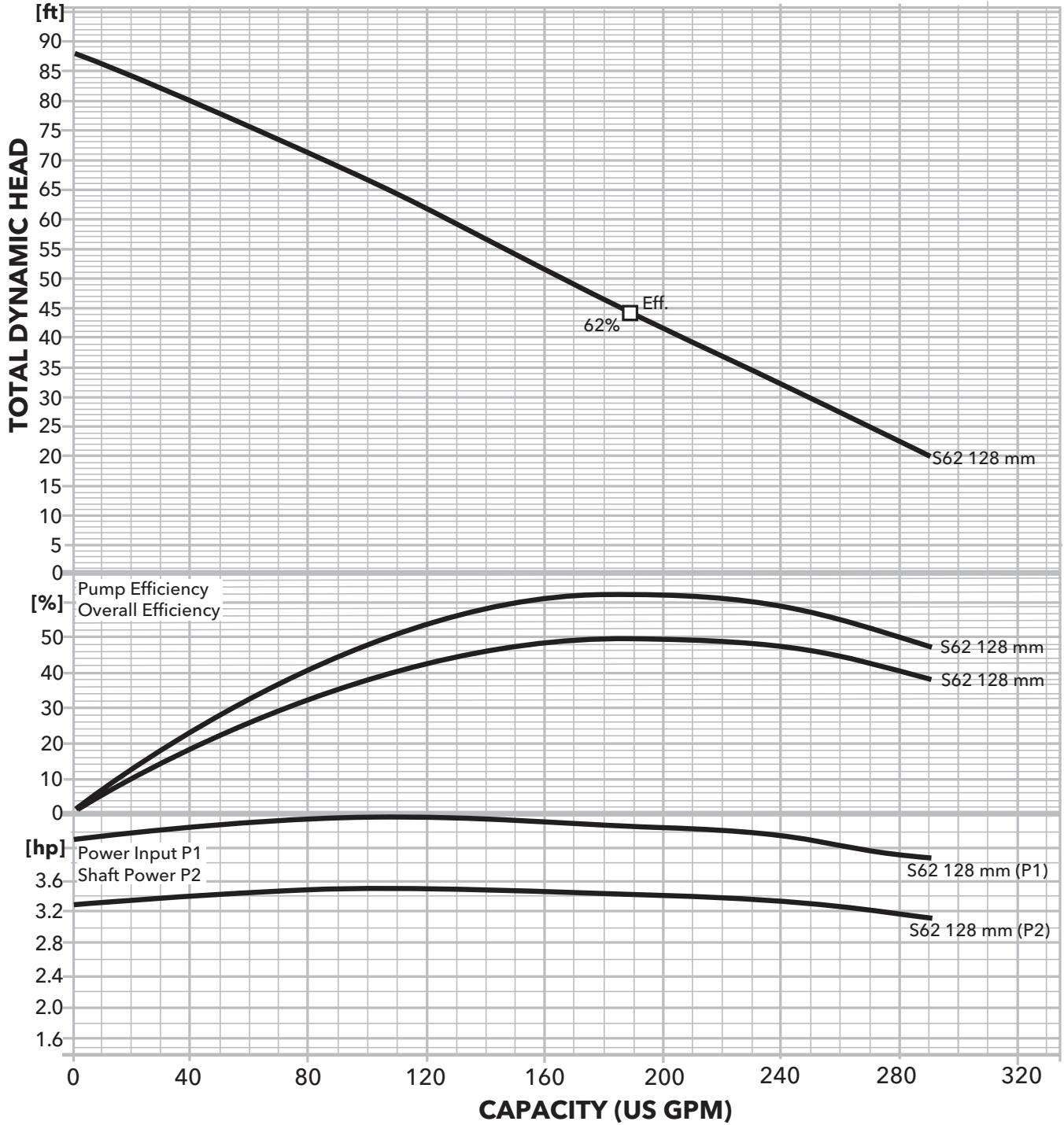
## PERFORMANCE CURVES

### 2" GFK 3.2 HP - G

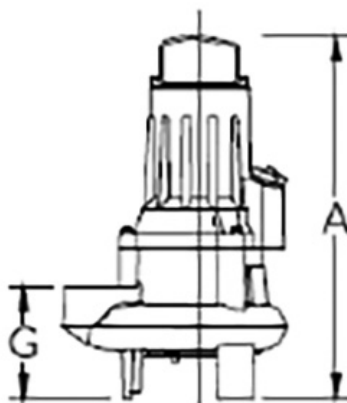
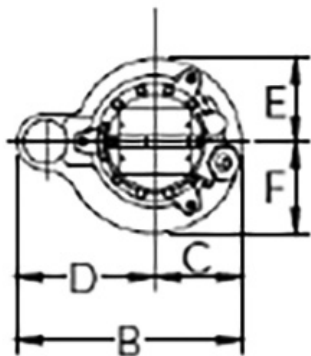


## PERFORMANCE CURVES

### 2" GFK 3.8 HP - A



## 2" DIMENSIONS



### 2GFV12, 2GFV17

A = 18.31"

B = 11.77"

C = 4.57"

D = 7.21"

E = 4.06"

F = 4.49"

G = 5.51"

### 2GFK12, 2GFK17

A = 16.46"

B = 11.73"

C = 4.57"

D = 7.17"

E = 3.82"

F = 4.69"

G = 4.76"

### 2GFV32, 2GFV38

A = 19.80"

B = 12.21"

C = 4.72"

D = 7.48"

E = 4.53"

F = 4.92"

G = 6.50"

### 2GFK24, 2GFK32, 2GFK38

A = 17.05"

B = 11.97"

C = 4.41"

D = 7.56"

E = 4.06"

F = 4.84"

G = 4.76"

## NOTES

# Xylem |'zīləm|

- 1) The tissue in plants that brings water upward from the roots;
- 2) a leading global water technology company.

We're a global team unified in a common purpose: creating advanced technology solutions to the world's water challenges. Developing new technologies that will improve the way water is used, conserved, and re-used in the future is central to our work. Our products and services move, treat, analyze, monitor and return water to the environment, in public utility, industrial, residential and commercial building services settings. Xylem also provides a leading portfolio of smart metering, network technologies and advanced analytics solutions for water, electric and gas utilities. In more than 150 countries, we have strong, long-standing relationships with customers who know us for our powerful combination of leading product brands and applications expertise with a strong focus on developing comprehensive, sustainable solutions.

**For more information on how Xylem can help you, go to [www.xylem.com](http://www.xylem.com)**



Xylem Inc.  
Phone: (866) 325-4210  
Fax: (888) 322-5877  
[www.xylem.com/goulds](http://www.xylem.com/goulds)

Goulds is a registered trademark of Goulds Pumps, Inc. and is used under license.  
© 2020 Xylem Inc. B2INGFKV February 2020