

**REPAIR PARTS**

ROBJETSU

---

# Jets and Submersibles

REPAIR PARTS FOR OBSOLETE PRODUCT

---

 **GOULDS**  
WATER TECHNOLOGY  
a xylem brand

### Index

#### JETS

|                           |   |
|---------------------------|---|
| J03, J05, J03N, J05N..... | 3 |
| JS .....                  | 4 |
| JL07N, JL10N .....        | 5 |
| GH.....                   | 6 |
| Primeflow .....           | 7 |
| XSH .....                 | 8 |
| VA.....                   | 9 |

#### SUBMERSIBLES

|  |    |
|--|----|
| E .....  | 10 |
| 4" High Capacity .....                         | 11 |
| JRSG .....                                     | 13 |
| JB .....                                       | 14 |
| 5-25GS (models with 2 cable guard screws)..... | 15 |
| 5-25LS (up to February 2004).....              | 16 |
| 5-18SB .....                                   | 17 |

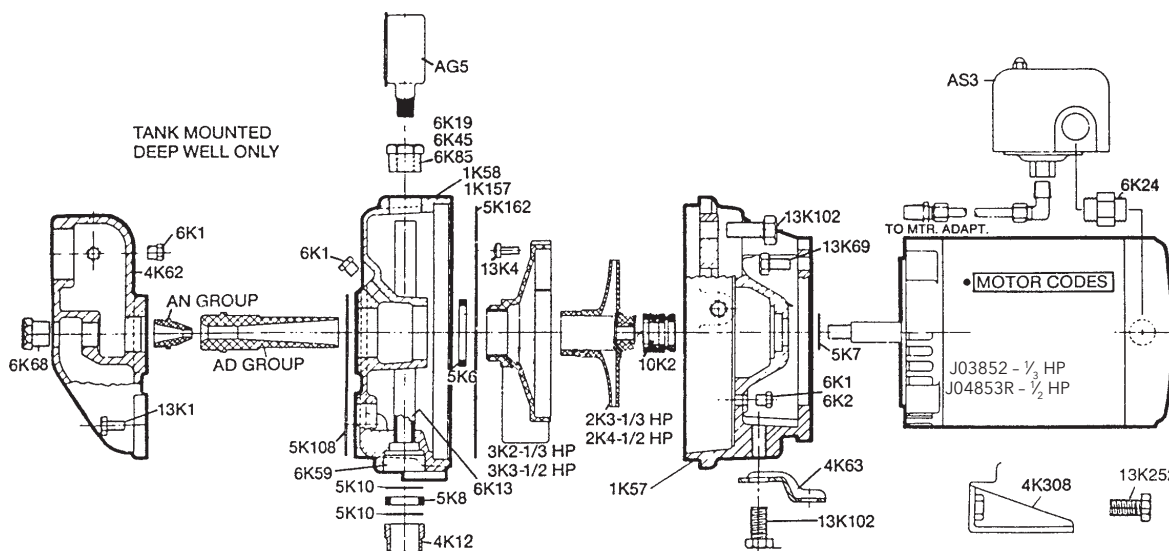
The 10K2 has been replaced in production and as a repair part by the 10K10. The 10K10, John Crane Type 6, is a superior seal with a carbon rotary face, a ceramic stationary seat and BUNA N elastomers.

#### Note:

Goulds Water Technology no longer sells brass tubing fittings or copper switch tubing. O-ring sealed elbow and straight connectors and plastic tubing has replaced them. The following chart should be used to select the correct kit for your pump. Kit prices are in the Jet & Submersible Price Book.

| Kit Number | Description  | Used On                            |
|------------|--|------------------------------------|
| 6K119      | (1) 90° elbow and (1) straight connector, tubing   | BF, GH, J, J+, JS+, JL, SJ, VJ, VS |
| 6K120      | (2) 90° elbow connectors, tubing   | CJ, HSJ, LJ, JB, JRS               |
| JDW        | (1) straight connector, (1) 6K2 pipe plug, tubing<br>(Use on Deep Well jet pumps with pressure control valves) | GH, HSJ, J, J+, JS+, JL, SJ, VJ    |

### J03, J05 TANK MOUNTED J03N, J05N NOT TANK MOUNTED



| Part No.            | Part Name                                      | Pattern No. |
|---------------------|--|-------------|
| 1K57 <sup>①</sup>   | Motor adapter with 6K2 and foot                | 55178       |
| 1K58                | Casing-tank mounted with 6K13, 1-6K1 and 1-6K2 | 55179       |
| 1K157<br>(was 1K59) | Casing-off tank with 1-6K1 and 1-6K2 use 1K311 | 55179       |
| 2K3                 | Impeller 1/2 HP                                |             |
| 2K4                 | Impeller 1/2 HP                                |             |
| 3K2                 | Guidevane 1/3 HP - use 3K61                    |             |
| 3K3                 | Guidevane 1/2 HP - use 3K75                    |             |
| 4K12                | Discharge gland - tank mtd. only               | 55548       |
| 4K62                | Shallow well adapter                           |             |
| 4K63                | Foot   |             |
| 4K308               | Foot - new style                               |             |
| 5K6                 | Seal ring - guidevane                          |             |
| 5K7                 | Deflector                                      |             |
| 5K8                 | Packing - discharge gland tank mounted only    |             |
| 5K10                | Washer - discharge gland tank mounted only     |             |
| 5K108               | Gasket - shallow well adapter                  |             |
| 5K162 <sup>②</sup>  | Gasket - casing                                |             |
| 6K1                 | Plug 1/8 NPT                                   |             |
| 6K2                 | Plug 1/4 NPT                                   |             |
| 6K12                | Compression fitting - 1/4 pipe x 1/4 Tube      |             |

| Part No.           | Part Name   | Pattern No. |
|--------------------|---|-------------|
| 6K13               | Discharge pipe - J03 & J05                                    |             |
| 6K19               | Reducing bushing 3/4 x 1/4                                    |             |
| 6K24               | Switch connector with nut                                     |             |
| 6K45               | Reducing bushing 1 x 1/4                                      |             |
| 6K59               | Bottom plug - for 1K58 off tank                               |             |
| 6K68               | Plug 1/2 NPT shallow well only                                |             |
| 6K85               | Reducing bushing 1 x 3/4                                      |             |
| 10K2               | Mechanical seal assembly                                      |             |
| 13K1               | Bolt - shallow well adapter                                   |             |
| 13K4               | Guidevane screw   |             |
| 13K69              | Bolt - adapter to motor                                       |             |
| 13K71              | Bolt - new style  |             |
| 13K102             | Bolt - casing and foot  |             |
| AA8-7 <sup>③</sup> | Air charger (std. with 12 gal. and 30 gal. tank mounted only) |             |
| ACA1               | Galvanized tank<br>12 gallon - horizontal                     |             |
| ACE1               | Galvanized tank<br>30 gallon - horizontal                     |             |

| Part No. | Part Name                                      | Pattern No. |
|----------|--|-------------|
| V45MP    | Hydro-Pro™ tank                                |             |
| V60MP    | Hydro-Pro™ tank                                |             |
| AG5      | Pressure gauge                                 |             |
| AS3      | Pressure switch                                |             |
| AV15     | Pressure control valve-off tank-deep well only |             |

#### \* SHALLOW WELL NOZZLES AND VENTURIS

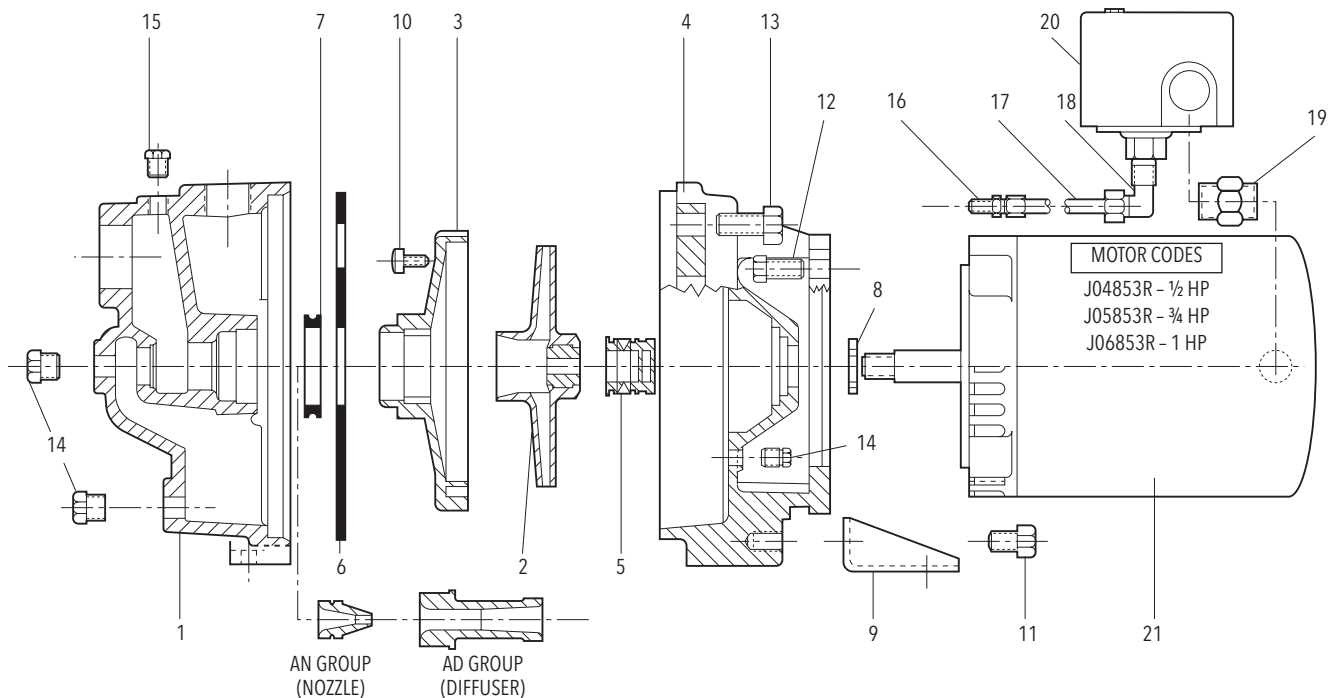
| HP  | Unit          | Nozzle | Venturi |
|-----|---------------|--------|---------|
| 1/3 | Standard      | AN015  | AD 3726 |
| 1/3 | High pressure | AN016  | AD 3524 |
| 1/2 | Standard      | AN017  | AD 3731 |
| 1/2 | High pressure | AN019  | AD 3528 |

\* See Water Systems Catalog Accessories Section.

- ① 1982 and later models: 1K57 motor adapters have 8 guidevane screw holes and will also fit 1982 and later series JL pumps. Earlier 1K57 motor adapters with 4 guidevane screw holes cannot be used on any JL model pump.
- ② 5K162 (2-port) gasket replaces 5K107 (single port) gasket. 5K162 gasket also fits 1982 and later series JL pumps. 5K107 (obsolete) gasket cannot be used on any series JL pump.
- ③ AA8-8 air volume control valve kit includes tubing and fittings.

**NOTE:** EFFECTIVE MARCH 1987 J AND JL CASINGS HAVE 1" NPT DISCHARGE. FOR USE WITH 3/4" PIPING. USE 1" NPT X 3/4" NPT REDUCING BUSHING PART NO. 6K85.

### JS (1ST VERSION NOT JS+)



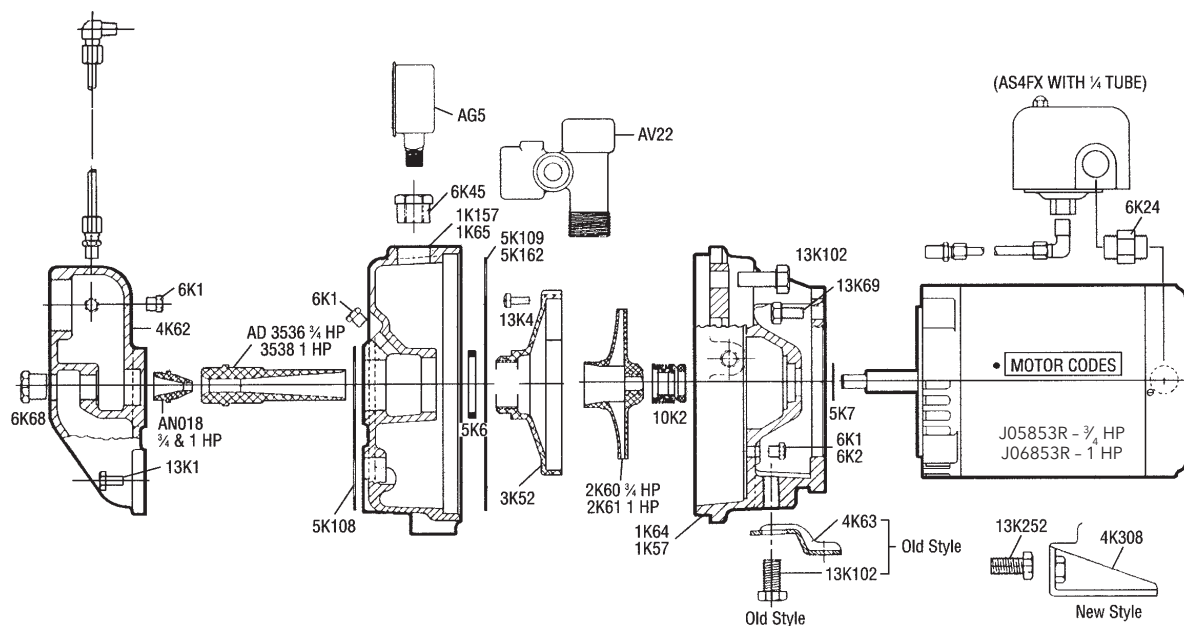
| Item No. | Description                             | JS05 (H)          | JS07    | JS10    |
|----------|---|-------------------|---------|---------|
| 1        | Casing                                  | 1K333 new style   |         |         |
| 2        | Impeller                                | 2K4               | 2K60    | 2K61    |
| 3        | Guidevane                               | 3K75              | 3K52    | 3K52    |
| 4        | Motor adapter                           | 1K57 or use 1K310 |         |         |
| 5        | Shaft seal assembly                     | 10K2              |         |         |
| 6        | Casing gasket                           | 5K162             |         |         |
| 7        | Guidevane seal ring                     | 5K6               |         |         |
| 8        | Deflector                               | 5K7               |         |         |
| 9        | Foot                                    | 4K308             |         |         |
| 10       | Guidevane screw                         | 13K4              |         |         |
| 11       | Bolt - foot to adapter                  | 13K71             |         |         |
| 12       | Bolt - motor adapter to casing          | 13K69             |         |         |
| 13       | Bolt - motor adapter to casing          | 13K102            |         |         |
| 14       | Pipe plug - 1/4" NPT                    | 6K2               |         |         |
| 15       | Pipe plug - 1/8" NPT                    | 6K1               |         |         |
| 16       | Compression fitting - 1/4" x 1/4"       | 6K119             |         |         |
| 17       | Switch tubing                           |                   |         |         |
| 18       | Compression fitting elbow - 1/4" x 1/4" |                   |         |         |
| 19       | Switch connector with locknut           | 6K24              |         |         |
| 20       | Pressure switch                         | AS3FX*            | AS4FX   |         |
| 21       | Motor                                   | J04853R           | J05853R | J06853R |

### SHALLOW WELL NOZZLES AND VENTURIS

| HP  | Unit  | Nozzle | Venturi |
|-----|-------|--------|---------|
| 1/2 | JS05  | AN017  | AD3332  |
| 1/2 | JS05H | AN019  | AD3328  |
| 3/4 | JS07  | AN018  | AD3336  |
| 1   | JS10  | AN018  | AD3339  |

\* JS05H uses an AS4FX switch.

### JL07N / JL10N



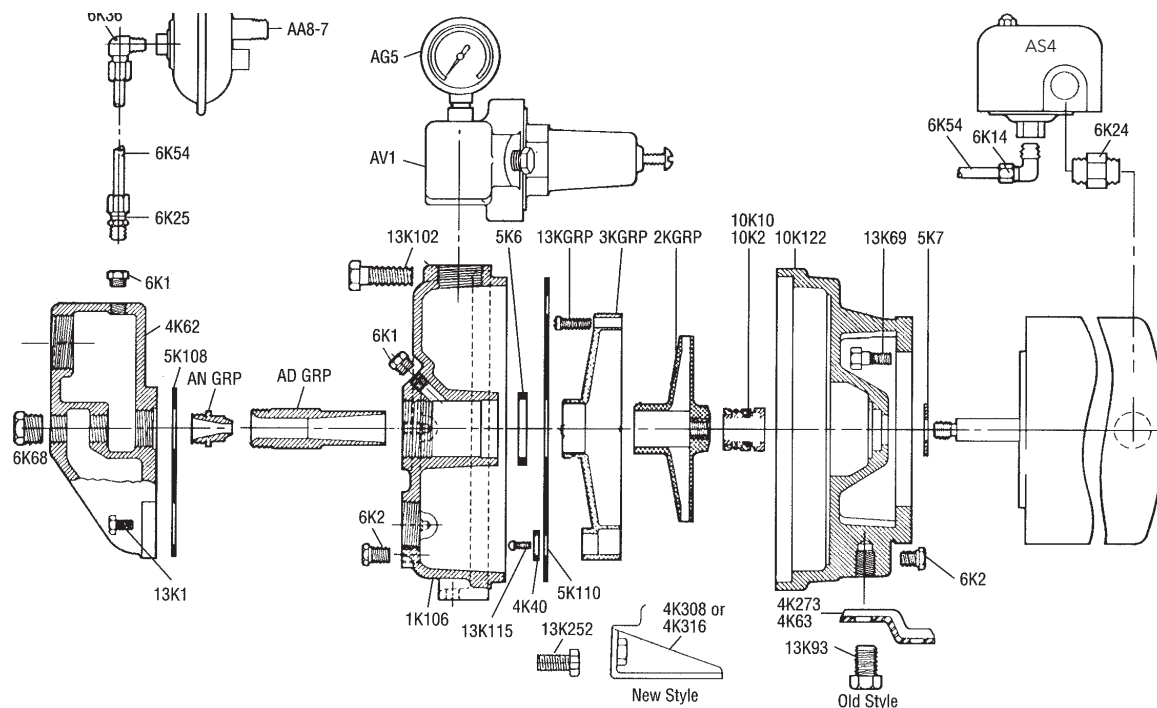
| Part No.                    | Part Name   | Pattern No.    |
|-----------------------------|---|----------------|
| Post '82<br>1K57①<br>1K157① | Motor adapter with plug and foot<br>Casing with plugs                                       | 55178<br>55179 |
| Pre '82<br>1K64①<br>1K65①   | Motor adapter with plug and foot<br>Casing with plugs                                       | 56604<br>56605 |
| 2K60<br>2K61                | Impeller 3/4 HP<br>Impeller 1 HP  |                |
| 3K52                        | Guidevane   |                |
| 4K62<br>4K63<br>4K308       | Shallow well adapter<br>Foot - old style<br>Foot - new style                                | 55548          |
| 5K6<br>5K7                  | Seal ring - guidevane<br>Deflector  |                |
| 5K108<br>5K109②             | Gasket - shallow well adapter<br>Gasket - casing (1981 & earlier models) pattern 56605      |                |
| 5K162②                      | Gasket - casing (1982 & later models) pattern 55179   |                |
| 6K1<br>6K2<br>6K45<br>6K68  | Plug 1/8 NPT<br>Plug 1/4 NPT<br>Reducing bushing (for AG5)<br>1 x 1 1/4 NPT<br>Plug 1/2 NPT |                |

| Part No.                        | Part Name   | Pattern No. |
|---------------------------------|---|-------------|
| 6K24                            | Switch connector with nut   |             |
| 10K2                            | Mechanical seal assembly  |             |
| 13K1<br>13K4<br>13K69<br>13K102 | Bolt - shallow well adapter<br>Guidevane screw<br>Bolt - adapter to motor<br>Bolt - foot to motor adapter and motor adapter to casing |             |
| 13K252                          | Bolt - foot   |             |
| AD3536<br>AD3538                | Venturi - shallow well - JL07N<br>Venturi - shallow well - JL10N  |             |
| AG5                             | Pressure gauge  |             |
| AN018                           | Nozzle - shallow well only  |             |
| AS4FX<br>AS6                    | Pressure switch (new style)<br>Pressure switch (old style)  |             |
| AV22                            | Pressure control valve - deep well  |             |
| AA8-7③                          | Air volume control valve used with conventional galvanized tanks only   |             |

New style - 1982 and later  
Old style - 1982 and earlier

- ① Check pattern number on parts.
- ② 5K162 gasket (2 oval ports) used on all 1982 and later JL pumps. 5K109 gasket (2 triangular ports) can only be used on 1981 and earlier series JL pumps.
- ③ AA8-8 air volume control valve kit includes tubing and fittings.

### GH



| Part No. | Part Name                     | Pattern No. |
|----------|-------------------------------|-------------|
| 1K106    | Casing                        | 57195       |
| 1K122    | Motor adapter                 | 57193       |
| 2K7      | Impeller 1 HP - use 2K714     |             |
| 2K8      | Impeller 1½ HP - use 2K713    |             |
| 2K29     | Impeller ½ HP                 |             |
| 2K45     | Impeller ¾ HP - use 2K716     |             |
| 3K25     | Guidevane ½ HP                |             |
| 3K26     | Guidevane ¾ HP                |             |
| 3K27     | Guidevane 1 HP & 1½ HP        |             |
| 4K40     | Guidevane flange              |             |
| 4K62     | Shallow well adapter          | 55548       |
| 4K63     | Foot - motor adapter          |             |
| 4K273    | Foot - motor adapter 1½ HP    |             |
| 4K308    | Foot - new style              |             |
| 4K376    | Foot - motor adapter 1½ HP    |             |
| 5K6      | Seal ring - guidevane         |             |
| 5K7      | Deflector                     |             |
| 5K108    | Gasket - shallow well adapter |             |
| 5K110    | Diaphragm - casing            |             |

| Part No.           | Part Name   |
|--------------------|---|
| 6K1                | Plug ¼ NPT  |
| 6K2                | Plug ¼ NPT  |
| 6K68               | Plug ½ NPT  |
| 10K2               | Mechanical seal assembly ½-1 HP                                       |
| 10K10              | Mechanical seal assembly 1½ HP  |
| 13K1               | Bolt - shallow well adapter to casing                                 |
| 13K2               | Screw - Guidevane 1 HP & 1½ HP  |
| 13K4               | Screw - Guidevane ½ HP & ¾ HP   |
| 13K69              | Bolt - Motor adapter  |
| 13K93              | Bolt - foot   |
| 13K102             | Bolt - casing   |
| 13K115             | Screw - guidevane flange  |
| 13K252             | Bolt - foot   |
| AG5                | Pressure gauge  |
| AS4                | Pressure switch ½ HP, ¾ HP, 1 HP, 1½ HP                               |
| AV1                | Pressure control valve  |
| AA8-7 <sup>③</sup> | Air volume control valve (for use with conventional galvanized tanks) |

### SHALLOW WELL NOZZLES AND VENTURIS

| HP | Model | Nozzle AN GRP | Venturi AD GRP |
|----|-------|---------------|----------------|
| ½  | GH05  | AN012         | AD3525         |
| ¾  | GH07  | AN014         | AD3528         |
| 1  | GH10  | AN015         | AD3532         |
| 1½ | GH15  | AN019         | AD3538         |

③ AA8-8 air volume control valve kit includes tubing and fittings.

### MOTOR CODES

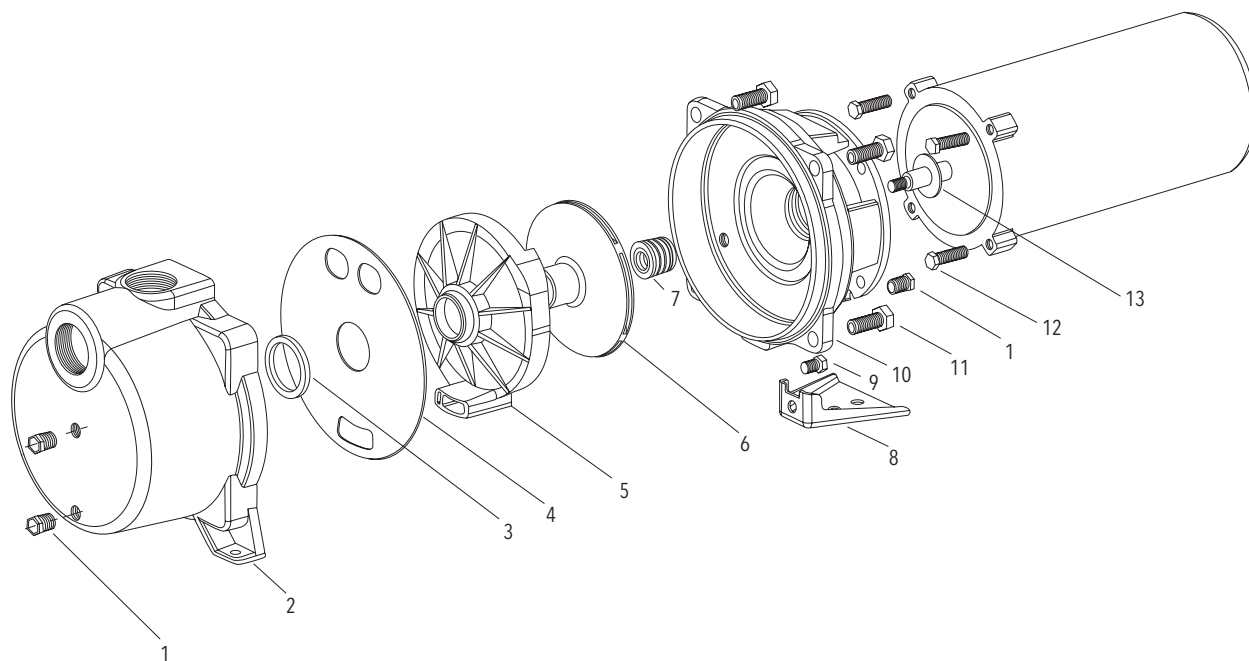
| Model | Motor Code | HP    |
|-------|------------|-------|
| GH05  | J04853R    | ½ HP  |
| GH07  | J05853R    | ¾ HP  |
| GH10  | J06853R    | 1 HP  |
| GH15  | J07858R    | 1½ HP |



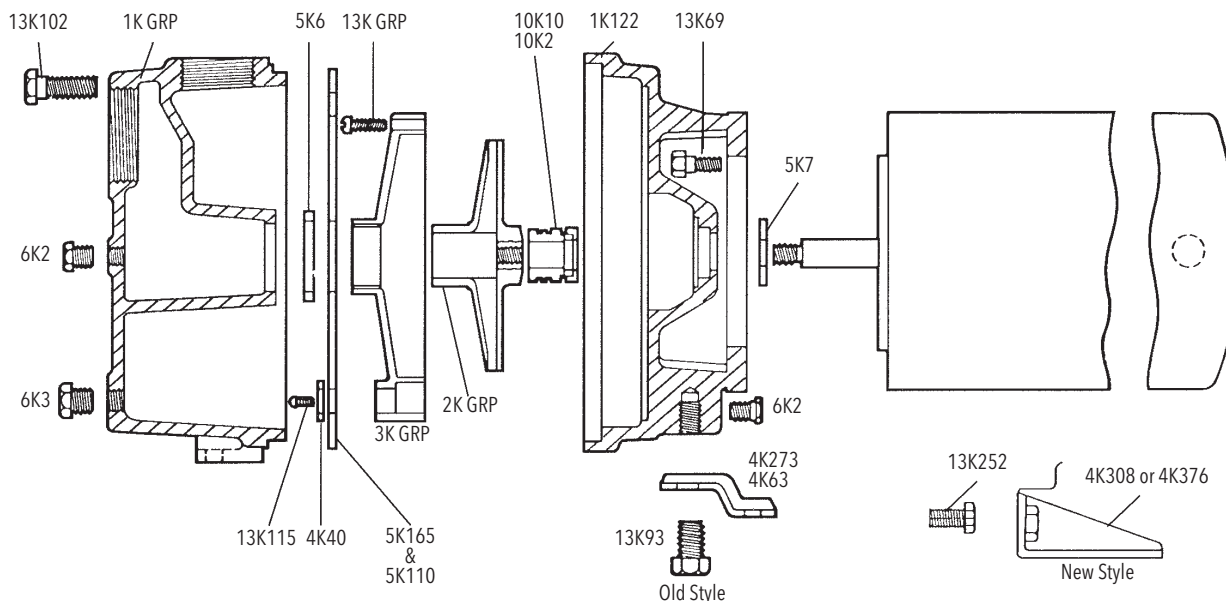
| Item No. | Part Description    | Material              | Repair Parts Number |       |       |       |       |
|----------|---------------------|-----------------------|---------------------|-------|-------|-------|-------|
|          |                     |                       | PF07                | PF10  | PF15  | PF20  | PF30  |
| 1        | ¼ NPT pipe plug     | Plated steel          | 6K2                 |       |       |       |       |
| 2        | Casing              | Cast iron             | 1K324               |       |       |       |       |
| 3        | Guidevane seal ring | BUNA                  | 5K231               |       |       |       |       |
|          |                     | Viton                 | 5K258               |       |       |       |       |
| 4        | Diaphragm           | Neoprene              | 5K256               |       |       |       |       |
|          |                     | Viton                 | 5K257               |       |       |       |       |
| 5        | Guidevane           | Engineered Urethane   | 3K72                | 3K71  | 3K70  | 3K70  | 3K69  |
| 6        | Impeller            |                       | 2K715               | 2K716 | 2K714 | 2K713 | 2K712 |
| 7        | Mechanical seal     | Carbon/ceramic/BUNA   | 10K10               |       |       |       |       |
|          |                     | Carbon/ni-resist/EPR  | 10K18               |       |       |       |       |
|          |                     | Carbon/ceramic/viton  | 10K24               |       |       |       |       |
|          |                     | Carbon/tungsten/viton | 10K55               |       |       |       |       |
| 8        | Pump foot           | Steel                 | 4K408               |       |       |       |       |
| 9        | Pump foot bolt      | Steel                 | 13K252              |       |       |       |       |
| 10       | Motor adapter       | Cast iron             | 1K310               |       |       |       |       |
| 11       | Casing bolt         | Steel                 | 13K102              |       |       |       |       |
| 12       | Motor adapter bolt  | Steel                 | 13K69               |       |       |       |       |
| 13       | Deflector           | BUNA                  | 5K7                 |       |       |       |       |

### MOTOR CODES

| HP  | 1Ø-ODP  | 3Ø-ODP | 1Ø-TEFC | 3Ø-TEFC | 1Ø-EXPRF | 3Ø-EXPRF |
|-----|---------|--------|---------|---------|----------|----------|
| .75 | J05853R | C05873 | C05821  | C05876  | BBC05825 | BBC05875 |
| 1.0 | J06853R | C06873 | C06821  | C06876  | BBC06825 | BBC06875 |
| 1.5 | J07858R | C07878 | C07821  | C07876  | BBC07825 | BBC07875 |
| 2.0 | J08854R | C08874 | C08821  | C08876  | BBC08825 | BBC08875 |
| 3.0 | C09854  | C09874 | C09821  | C09876  | NA       | NA       |



### XSH



| Part No. | Part Name                                      | Pattern No. |
|----------|--|-------------|
| 1K104    | Casing 1½"-¾ & 1 HP                            | 57192       |
| 1K105    | Casing 2"-1½ & 2 HP                            | 57194       |
| 1K158    | Casing 2"-3 HP                                 | 57194       |
| 1K122    | Motor adapter                                  | 57193       |
| 2K7      | Impeller 1½ HP - use 2K714                     |             |
| 2K8      | Impeller 2 HP - use 2K713                      |             |
| 2K45     | Impeller 1 HP - use 2K716                      |             |
| 2K53     | Impeller 3 HP                                  | 55104       |
| 2K114    | Impeller ¾ HP - use 2K715                      |             |
| 3K25     | Guidevane ¾ HP                                 |             |
| 3K26     | Guidevane 1 HP                                 |             |
| 3K27     | Guidevane 1½ HP & 2 HP                         |             |
| 3K60     | Guidevane 3 HP                                 | 59087       |
| 4K40     | Guidevane flange ¾-2 HP                        |             |
| 4K63     | Foot - motor adapter<br>¾ & 1 HP-old style     |             |
| 4K273    | Foot - motor adapter<br>1½, 2 & 3 HP-old style |             |
| 4K308    | Foot - new style ¾ & 1 HP                      |             |
| 4K376    | Foot - new style 1½, 2 & 3 HP                  |             |

| Part No. | Part Name                        | Pattern No. |
|----------|----------------------------------|-------------|
| 5K6      | Seal ring - guidevane            |             |
| 5K7      | Deflector                        |             |
| 5K110    | Gasket - casing ¾-2 HP           |             |
| 5K165    | Gasket - casing 3 HP only        |             |
| 6K2      | Plug ¼ NPT - motor adapter       |             |
| 6K3      | Plug ¾ NPT - casing              |             |
| 10K2     | Mechanical seal assembly ½-1 HP  |             |
| 10K10    | Mechanical seal assembly 1½-3 HP |             |
| 13K2     | Screw - guidevane 1½-3 HP        |             |
| 13K4     | Screw - guidevane ¾ HP & 1 HP    |             |
| 13K6     | Impeller locknut - 3 phase only  |             |
| 13K69    | Bolt - motor adapter to motor    |             |
| 13K93    | Bolt - foot to adapter           |             |
| 13K102   | Bolt - casing to adapter         |             |
| 13K115   | Screw - guidevane flange         |             |
| 13K252   | Bolt - foot                      |             |
| AL27121  | Loctite #271                     |             |

**Note:** Impellers on 3 HP three phase units are loctited to motor shaft. Impellers must be heated to be removed. When replacing impeller, use Loctite AL27121 - see instruction manual.

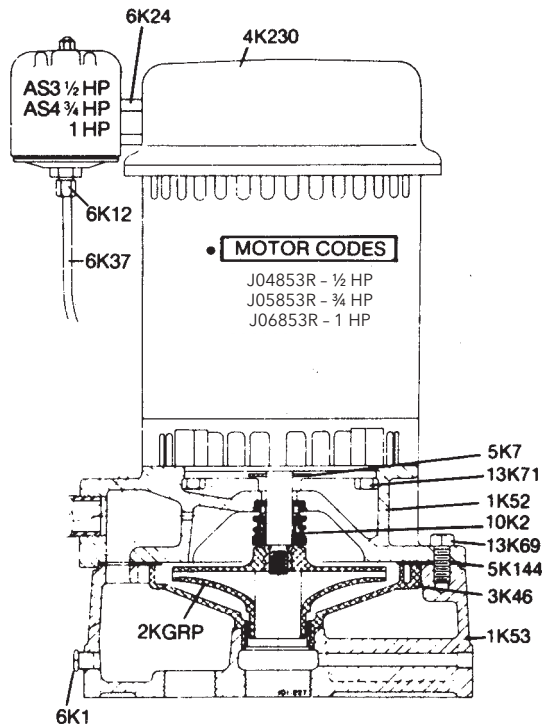
### MOTOR CODES

| Model | Order No. | HP          |
|-------|-----------|-------------|
| XSH07 | J05853R   | ¾           |
| XSH10 | J06853R   | 1           |
| XSH15 | J07858R   | 1½          |
| XSH20 | ⓁJ08854R  | 2           |
| XSH23 | C08874    | 2 (3 Phase) |
| XSH30 | J09853R   | 3           |
| XSH33 | C09874    | 3 (3 Phase) |

ⓁJ08854L is now 230 V only - no 115 V.



### VA



| Part No. | Part Name                             | Pattern No. |
|----------|---------------------------------------|-------------|
| 1K52     | Motor adapter                         | 54337       |
| 1K53     | Casing with guidevane and ring        |             |
| 2K6      | Impeller - 3/4 HP                     |             |
| 2K7      | Impeller - 1 HP                       |             |
| 2K28     | Impeller - 1/2 HP                     |             |
| 3K46     | Guidevane                             |             |
| 5K144    | Gasket - casing                       |             |
| ①6K94    | 90° elbow connector                   |             |
| ①6K100   | Straight connector                    |             |
| ①6K102   | Tubing                                |             |
| 13K69    | Hex cap screw - motor adapter to case |             |

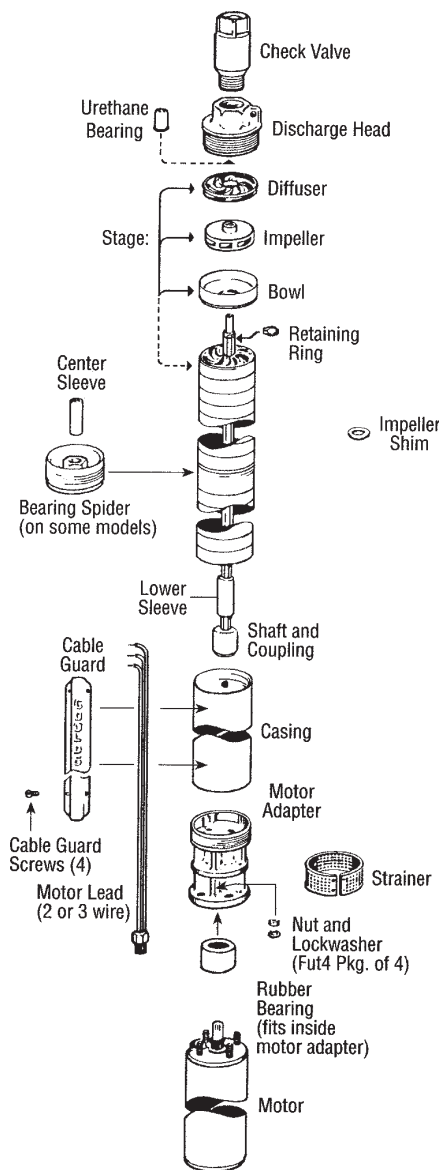
① Use all new plastic parts together. Do not mix these with brass fittings and copper tubings.

### E (4" SUBS)

| Part   | Current Models |        |        |        |        |        |        |        |
|--|----------------|--------|--------|--------|--------|--------|--------|--------|
|  | HP             | 5ES    | 7EH    | 7E     | 10EJ   | 13EM   | 18E    | 25EL   |
| Number of Stages                                 | 1/3            | 11     | 8      | -      | 5      | -      | -      | -      |
|  | 1/2            | 15     | 11     | -      | 7      | 5      | -      | -      |
|  | 3/4            | 20     | 15     | -      | 10     | 7      | 6      | -      |
|  | 1              | 25▲    | 20     | -      | 12     | 10     | 8      | 7      |
|  | 1 1/2          | 34▲    | 25▲    | -      | 17     | 12     | 11     | 9      |
|  | 2              | -      | -      | 27▲    | 20     | 17     | 14     | 11     |
|  | 3              | -      | -      | 34▲    | 27s    | 21     | 19     | 15*    |
|  | 5              | -      | -      | -      | -      | -      | 30     | 26     |
| 1" Check valve                                   | 7K59           | 7K59   | 7K59   | 7K59②  | -      | -      | -      | -      |
| 1 1/4" Check valve                               | -              | -      | -      | 7K61②  | 7K61   | 7K61   | 7K61   | 7K61   |
| Discharge head                                   | 7K60           | 7K60   | 7K859  | 7K859  | 7K859  | 7K859  | 7K859  | 7K859  |
| Urethane bearing                                 | 7K860          | 7K860  | 7K860  | 7K860  | 7K860  | 7K860  | 7K860  | 7K860  |
| Motor adapter with bearing                       | 7K10           | 7K10   | 7K31   | 7K31   | 7K31   | 7K31   | 7K31   | 7K31   |
| Shaft sleeve - lower                             | 7K64           | 7K64   | 7K94   | 7K94   | 7K94   | 7K94   | 7K94   | 7K94   |
| Bowl   | 7K7            | 7K7    | 7K478  | 7K478  | 7K478  | 7K858  | 7K18   | 7K18   |
| Impeller   | 7K8            | 7K11   | 7K994  | 7K35   | 7K16   | 7K815  | 7K19   | 7K19   |
| Diffuser   | 7K9            | 7K12   | 7K995  | 7K17   | 7K17   | 7K816  | 7K20   | 7K20   |
| Bearing spiders                                  | 7K13           | 7K13   | ③      | 7K14   | -      | -      | 7K14   | 7K14   |
| Bearing inserts                                  | 7K156          | 7K156  | ③      | 7K156  | -      | 7K156  | 7K156  | 7K156  |
| Centersleeves                                    | 7K209          | 7K209  | 7K209  | 7K209  | -      | 7K209  | 7K209  | 7K209  |
| Rubber bearing                                   | 7K26           | 7K26   | 7K26   | 7K26   | 7K26   | 7K26   | 7K26   | 7K26   |
| Strainer   | 7K68           | 7K68   | 7K68   | 7K68   | 7K68   | 7K68   | 7K68   | 7K68   |
| Impeller shim                                    | 7K155          | 7K155  | 7K155  | 7K155  | 7K155  | 7K155  | 7K155  | 7K155  |
| Snap ring (pre 1982)①                            | 7K208          | 7K208  | -      | 7K208  | 7K208  | -      | 7K208  | 7K208  |
| Retaining ring①                                  | 7K817          | 7K817  | 7K817  | 7K817  | 7K817  | 7K817  | 7K817  | 7K817  |
| Cable guard screw                                | 13K91          | 13K91  | 13K91  | 13K91  | 13K91  | 13K91  | 13K91  | 13K91  |
| Motor nut  | 13K114         | 13K114 | 13K114 | 13K114 | 13K114 | 13K114 | 13K114 | 13K114 |
| Lock washer                                      | 13K117         | 13K117 | 13K117 | 13K117 | 13K117 | 13K117 | 13K117 | 13K117 |
| Casing   | 1/3            | 7K483  | 7K482  | -      | 7K544  | -      | -      | -      |
|  | 1/2            | 7K484  | 7K483  | -      | 7K503  | 7K544  | -      | -      |
|  | 3/4            | 7K485  | 7K484  | -      | 7K505  | 7K503  | 7K846  | -      |
|  | 1              | 7K486  | 7K485  | -      | 7K506  | 7K505  | 7K847  | 7K526  |
|  | 1s             | 7K861  | -      | -      | -      | -      | -      | -      |
|  | 1 1/2          | -      | 7K486  | -      | 7K508  | 7K506  | 7K848  | 7K527  |
|  | 1 1/2▲         | 7K1178 | 7K861  | -      | -      | -      | -      | -      |
|  | 2              | -      | -      | 7K985  | 7K509  | 7K508  | 7K849  | 7K528  |
|  | 3              | -      | -      | 7K993④ | 7K530  | 7K509  | 7K850  | 7K529  |
| 5  | -              | -      | -      | -      | -      | 7K851  | 7K735  |        |
| Shaft assembly (includes hex shaft and coupling) | 1/3            | 7K488  | 7K487  | -      | 7K510  | -      | -      | -      |
|  | 1/2            | 7K489  | 7K488  | -      | 7K511  | 7K510  | -      | -      |
|  | 3/4            | 7K490  | 7K489  | -      | 7K513  | 7K511  | 7K852  | -      |
|  | 1              | 7K491  | 7K490  | -      | 7K514  | 7K513  | 7K853  | 7K532  |
|  | 1s             | 7K862  | -      | -      | -      | -      | -      | -      |
|  | 1 1/2          | -      | 7K491  | -      | 7K516  | 7K514  | 7K854  | 7K533  |
|  | 1 1/2▲         | 7K1180 | 7K862  | -      | -      | -      | -      | -      |
|  | 2              | -      | -      | 7K988  | 7K517  | 7K516  | 7K855  | 7K534  |
|  | 3              | -      | -      | 7K992⑤ | 7K1015 | 7K517  | 7K856  | 7K535  |
|  | 5              | -      | -      | -      | -      | -      | 7K857  | 7K727  |
| Cable guard                                      | 1/3            | 7K493  | 7K492  | -      | 7K518  | -      | -      | -      |
|  | 1/2            | 7K494  | 7K493  | -      | 7K519  | 7K518  | -      | -      |
|  | 3/4            | 7K495  | 7K494  | -      | 7K521  | 7K519  | 7K865  | -      |
|  | 1▲             | 7K496  | 7K495  | -      | 7K522  | 7K521  | 7K521  | 7K493  |
|  | 1              | 7K740  | -      | -      | -      | -      | -      | -      |
|  | 1 1/2▲         | -      | 7K496  | -      | 7K524  | 7K522  | 7K844  | 7K539  |
|  | 1 1/2          | 7K1171 | 7K740  | -      | -      | -      | -      | -      |
|  | 2              | -      | -      | 7K983  | 7K525  | 7K524  | 7K495  | 7K540  |
|  | 3              | -      | -      | 7K743  | 7K1017 | 7K525  | 7K740  | 7K541  |
|  | 5              | -      | -      | -      | -      | -      | 7K845  | 7K743  |

▲ Indicates models with bearing spider, 5ES 1 HP 1983 and 7EH 1 1/2 HP 1983. Not counted in numbers of stages.

\* 22 stage model built prior to July 1981. Parts for 22 stage model:  
Casing - 7K530, Shaft Assembly - 7K536, Cable Guard - 7K542.



① Snap ring used on models built My 1982 and earlier. New style retaining rings used on models June 1982 and later (not interchangeable).

② 7K59 used on 10EJ for 1/3, 1/2, 3/4 HP. 7K61 used on 10EJ for 1, 1 1/2, 2 HP.

③ 7E 2 HP bearing spider is 7K14 with 7K156 bearing insert; 3 HP bearing spider is 7K171 with 7K474 bearing insert.

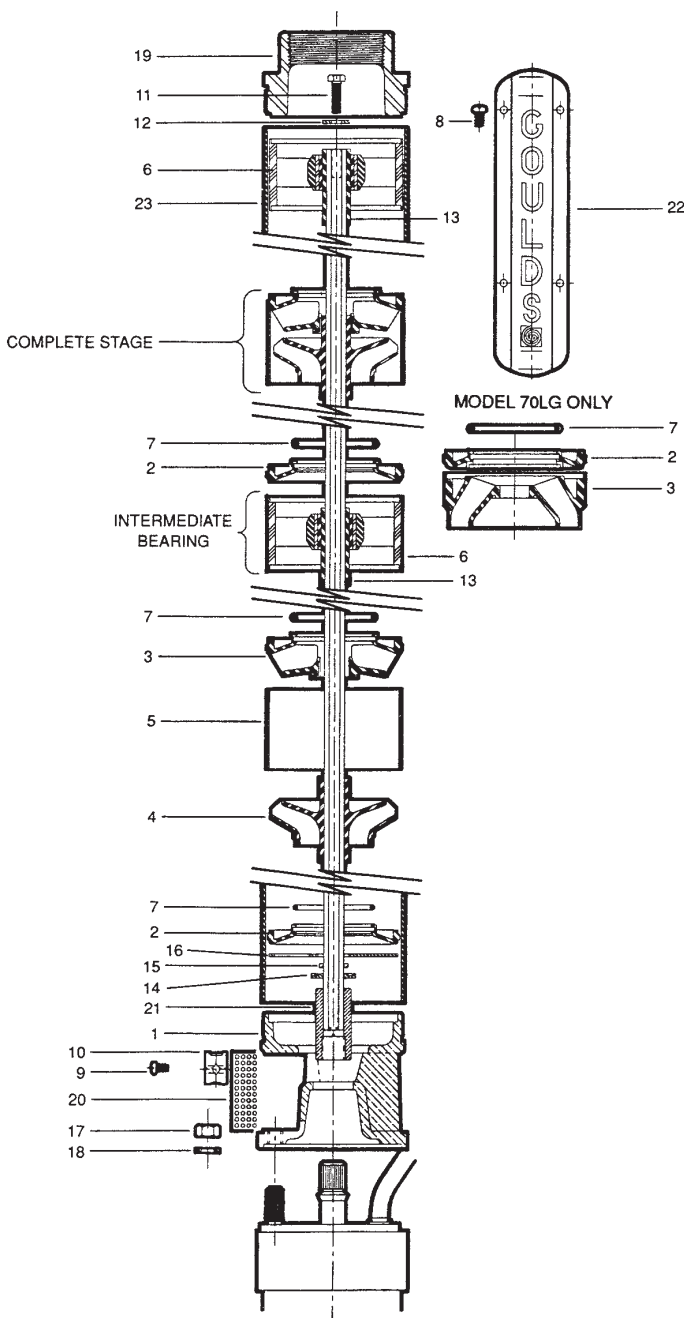
④ 7E 3 HP - two casings required.

⑤ 7K992 is lower shaft assembly; Upper shaft assembly is 7K991; center coupling is 7K97.

### 4" HIGH CAPACITY SUBMERSIBLES

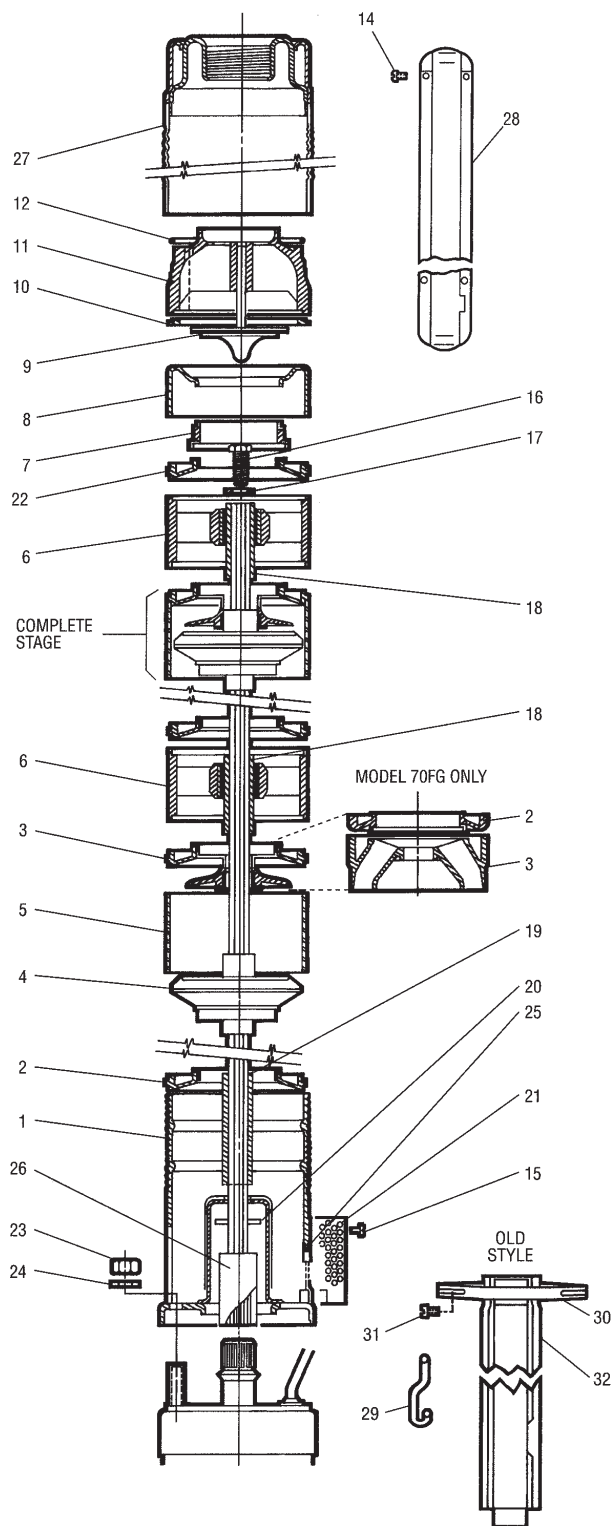
| Item No. | Part Description        | Current Models |        |         |        |
|----------|-------------------------|----------------|--------|---------|--------|
|          |                         | HP             | 35LD   | 48LE    | 70LG   |
|          | Number of stages        | 1½             | 7      | 4       | -      |
|          |                         | 2              | 9      | 5       | -      |
|          |                         | 3              | 13▲    | 8       | 7      |
|          |                         | 5              | 22▲    | 13▲     | 12▲    |
|          |                         | 7½             | -      | 19▲     | 18▲    |
| 1        | Motor adapter           | 7K1247         | 7K1247 | 7K1247  |        |
| 2        | Cover plate             | 7L318          | 7L318  | 7L319   |        |
| 3        | Diffuser                | 7L320          | 7L320  | 7L321   |        |
| 4        | Impeller                | 7L235          | 7L12   | 7L236   |        |
| 5        | Bowl ring               | 7L15           | 7L15   | 7L15    |        |
| 6        | Bearing spider          | 7L17           | 7L17   | 7L17    |        |
| 7        | Diffuser o-ring         | 7L322          | 7L322  | 7L323   |        |
| 8        | Cable guard screw       | 13K91          | 13K91  | 13K91   |        |
| 9        | Suction strainer screw  | 7L28           | 7L28   | 7L28    |        |
| 10       | Self-retaining fastener | 7K1251         | 7K1251 | 7K1251  |        |
| 11       | Shaft bolt              | 7L29           | 7L29   | 7L29    |        |
| 12       | Shaft washer            | 7L237          | 7L237  | 7L237   |        |
| 13       | Shaft sleeve            | 7L324          | 7L324  | 7L324   |        |
| 14       | Thrust washer assembly  | 7L37           | 7L37   | 7L37    |        |
| 15       | Impeller spacer         | 7K1248         | 7K1248 | 7K1248  |        |
| 16       | Thrust plate            | 7K1249         | 7K1249 | 7K1249  |        |
| 17       | Hex nut Franklin Motor  | 13K114         | 13K114 | 13K114  |        |
| 18       | Lock washer             | 13K117         | 13K117 | 13K117' |        |
| 19       | Discharge head          | 7K1250         | 7K1250 | 7K1250  |        |
| 20       | Suction strainer        | 7L38           | 7L38   | 7L38    |        |
| 21       | Shaft and coupling      | 1½             | 7L325  | 7L329   | -      |
|          |                         | 2              | 7L326  | 7L330   | -      |
|          |                         | 3              | 7L327  | 7L331   | 7L333  |
|          |                         | 5              | 7L328  | 7L327   | 7L334  |
|          |                         | 7½             | -      | 7L332   | 7L335  |
| 22       | Cable guard             | 1½             | 7K241  | 7K1241  | -      |
|          |                         | 2              | 7K1238 | 7K524   | -      |
|          |                         | 3              | 7K1239 | 7K1242  | 7K1244 |
|          |                         | 5              | 7K1240 | 7K1239  | 7K1245 |
|          |                         | 7½             | -      | 7K1243  | 7K1246 |
| 23       | Casing                  | 1½             | 7K1229 | 7K1232  | -      |
|          |                         | 2              | 7K179  | 7K508   | -      |
|          |                         | 3              | 7K1230 | 7K1233  | 7K1235 |
|          |                         | 5              | 7K1231 | 7K1230  | 7K1236 |
|          |                         | 7½             | -      | 7K1234  | 7K1237 |

▲ Indicates model with intermediate bearing spider stage.



### 4" HIGH CAPACITY SUBMERSIBLES

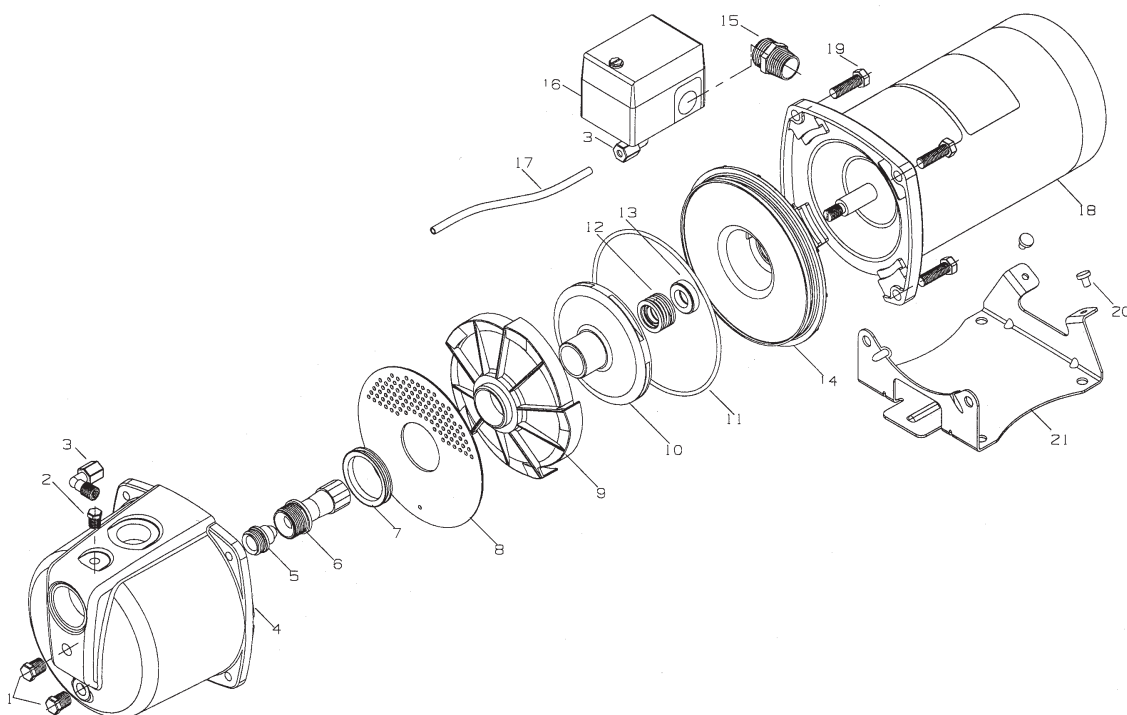
| Item No.         | Part Description                             | Current Models |        |        |       |
|------------------|--|----------------|--------|--------|-------|
|                  |  | HP             | 35CD   | 48DE   | 70FG  |
|                  | Number of stages                             | 1½             | 7      | 4      | -     |
|                  |  | 2              | 9      | 5      | -     |
|                  |  | 3              | 13▲    | 8      | 8     |
|                  |  | 5              | 22▲    | 13▲    | 13▲   |
|                  |  | 5R             | -      | -      | 12▲   |
|                  |  | 7½             | -      | 19     | 19▲   |
|                  |  | 7½R            | -      | -      | 18▲   |
| 1                | Motor adapter                                | 7L1            | 7L1    | 7L1    |       |
| 2                | Cover plate                                  | 7L4            | 7L4    | 7L234  |       |
| 3                | Diffuser                                     | 7L7            | 7L7    | 7L257  |       |
| 4                | Impeller                                     | 7L235          | 7L12   | 7L236  |       |
| 5                | Bowl ring                                    | 7L15           | 7L15   | 7L15   |       |
| 6                | Spider assembly                              | 7L17           | 7L17   | 7L17   |       |
| 7                | Discharge bowl ring                          | 7L20           | 7L20   | 7L20   |       |
| 8                | Valve seat                                   | 7L21           | 7L21   | 7L21   |       |
| 9                | Check valve                                  | 7L22           | 7L22   | 7L22   |       |
| 10               | Discharge bowl seat                          | 7L23           | 7L23   | 7L23   |       |
| 11               | Discharge bowl                               | 7L31           | 7L31   | 7L31   |       |
| 12               | O-ring                                       | 7L25           | 7L25   | 7L25   |       |
| 14               | Cable guard screw                            | 13K91          | 13K91  | 13K91  |       |
| 15               | Cable guard clamp and suction strainer screw | 7L27           |        |        |       |
|                  |  | 7L28           | 7L28   | 7L28   |       |
| 16               | Shaft bolt                                   | 7L29           | 7L29   | 7L29   |       |
| 17               | Shaft washer                                 | 7L237          | 7L30   | 7L237  |       |
| 18               | Shaft sleeve                                 | 7L32           | 7L32   | 7L32   |       |
| 19               | Bottom impeller spacer                       | 7L36           | 7L36   | 7L34   |       |
| 20               | Thrust washer                                | 7L37           | 7L37   | 7L37   |       |
| 21               | Suction strainer                             | 7L38           | 7L38   | 7L38   |       |
| 22               | Lower plate                                  | 7L4            | 7L4    | 7L4    |       |
| 23               | Hex nut - Franklin Motors                    | 13K114         | 13K114 | 13K114 |       |
| 24               | Lockwasher                                   | 13K117         | 13K117 | 13K117 |       |
| 25               | Power cable insulator                        | 7L45           | 7L45   | 7L45   |       |
| 26               | Shaft and coupling                           | 1½             | 7L238  | 7L67   | -     |
|                  |  | 2              | 7L239  | 7L68   | -     |
|                  |  | 3              | 7L70   | 7L69   | 7L242 |
|                  |  | 5              | 7L241  | 7L70   | 7L243 |
|                  |  | 5R             | -      | -      | 7L317 |
|                  |  | 7½             | -      | 7L71   | 7L244 |
|                  |  | 7½R            | -      | -      | 7L316 |
| 27               | Casing and discharge head                    | 1½             | 7L245  | 7L92   | -     |
|                  |  | 2              | 7L246  | 7L93   | -     |
|                  |  | 3              | 7L95   | 7L94   | 7L248 |
|                  |  | 5              | 7L247  | 7L95   | 7L249 |
|                  |  | 5R             | -      | -      | 7L315 |
|                  |  | 7½             | -      | 7L96   | 7L250 |
|                  |  | 7½R            | -      | -      | 7L314 |
| 28               | Cable guard                                  | 1½             | 7L301  | 7L308  | -     |
|                  |  | 2              | 7L296  | 7L306  | -     |
|                  |  | 3              | 7L290  | 7L298  | 7L294 |
|                  |  | 5              | 7L283  | 7L290  | 7L311 |
|                  |  | 5R             | -      | -      | 7L313 |
|                  |  | 7½             | -      | 7L285  | 7L282 |
|                  |  | 7½R            | -      | -      | 7L312 |
| <b>Old Style</b> |  |                |        |        |       |
| 29               | Lifting hook                                 | 7L26           | 7L26   | 7L26   |       |
| 30               | Cable guard clamp                            | 7L27           | 7L27   | 7L27   |       |
| 31               | Cable guard screw                            | 7L28           | 7L28   | 7L28   |       |
| 32               | Cable guard                                  | 1½             | 7L251  | 7L118  | -     |
|                  |  | 2              | 7L252  | 7L119  | -     |
|                  |  | 3              | 7L121  | 7L120  | 7L254 |
|                  |  | 5              | 7L253  | 7L121  | 7L255 |
|                  |  | 7½             | -      | 7L122  | 7L256 |



▲ Indicates models with intermediate stage. **NOTE:** 70FG50RS has a 7L35 spacer in top stage.

### JRSG

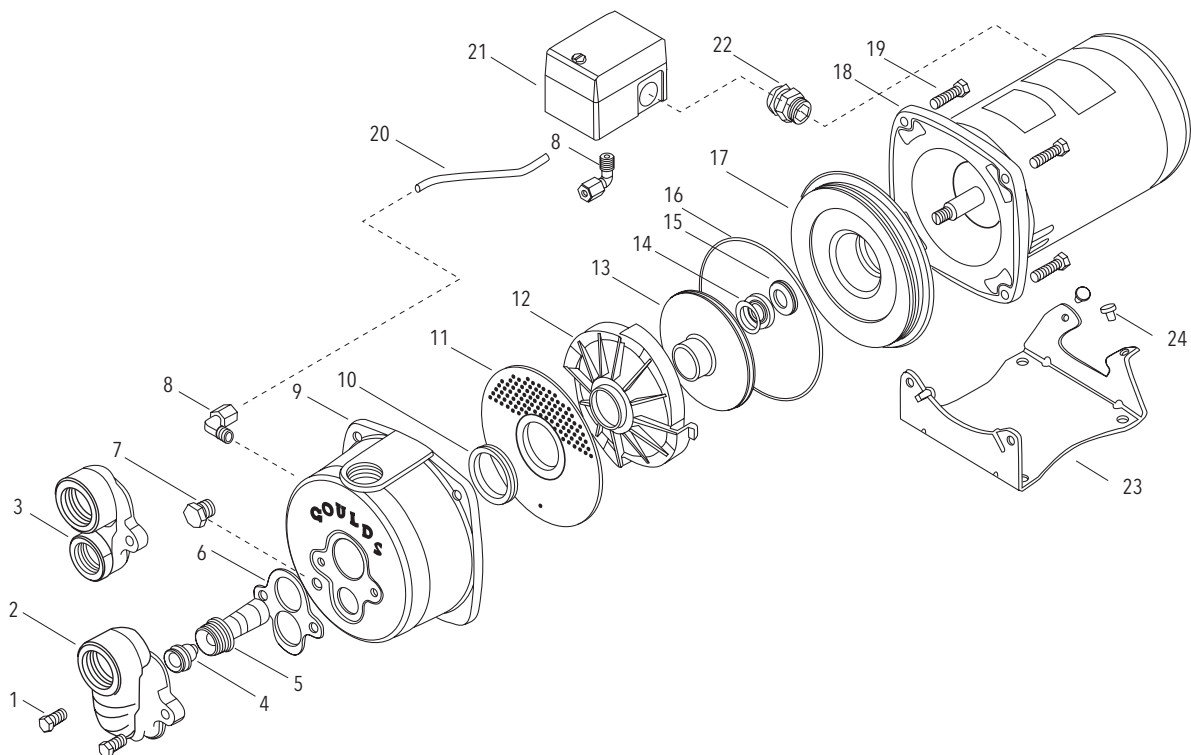
| Item No. | Part Description             | Material              | Repair Part No. |            |            |            |
|----------|------------------------------|-----------------------|-----------------|------------|------------|------------|
|          |                              |                       | JRS5G           | JRS5GH     | JRS7G      | JRS10G     |
| 1        | Drain plug 1/4" NPT          | Steel                 | 6K2             |            |            |            |
| 2        | Vent plug 1/8" NPT           | Steel                 | 6K1             |            |            |            |
| 3        | Elbow connector - tubing     | Polypropylene         | 6K94            |            |            |            |
| 4        | Casing                       | Cast iron             | 1K342           |            |            |            |
| 5        | Nozzle                       | Delrin®               | AN018           | AN020      | AN018      | AN018      |
| 6        | Venturi tube                 | Lexan®                | AD3330          | AD3325     | AD3336     | AD3339     |
| 7        | Separator plate seal ring    | BUNA-N                | 5K6             |            |            |            |
| 8        | Separator plate              | Polypropylene         | 5K253           |            |            |            |
| 9        | Diffuser (guidevane)         | Lexan®                | 3K64            | 3K64       | 3K65       | 3K65       |
| 10       | Impeller                     | Noryl®                | 2K4             | 2K4        | 2K60       | 2K61       |
| 11       | O-ring                       | BUNA                  | 5K230           |            |            |            |
| 12       | Mechanical seal - rotary     | Teepelite             | 10K2            |            |            |            |
| 13       | Mechanical seal - stationary | Ceramic               |                 |            |            |            |
| 14       | Seal housing                 | Amodel®               | 1K325           |            |            |            |
| 15       | Connector with locknut       | Steel                 | 6K24            |            |            |            |
| 16       | Pressure switch              | NA                    | AS1             |            |            |            |
| 17       | Tubing - pressure switch     | Polypropylene         | 6K93            | 6K93       | 6K108      | 6K108      |
| 18       | Motor                        | Stainless steel shaft | SFJ04860EM      | SFJ04860EM | SFJ05860EM | SFJ06860EM |
| 19       | Hex cap screw                | Steel                 | 13K80           |            |            |            |
| 20       | Grommet - base               | BUNA                  | 4K405           |            |            |            |
| 21       | Base                         | Steel                 | 4K399           |            |            |            |



### JB

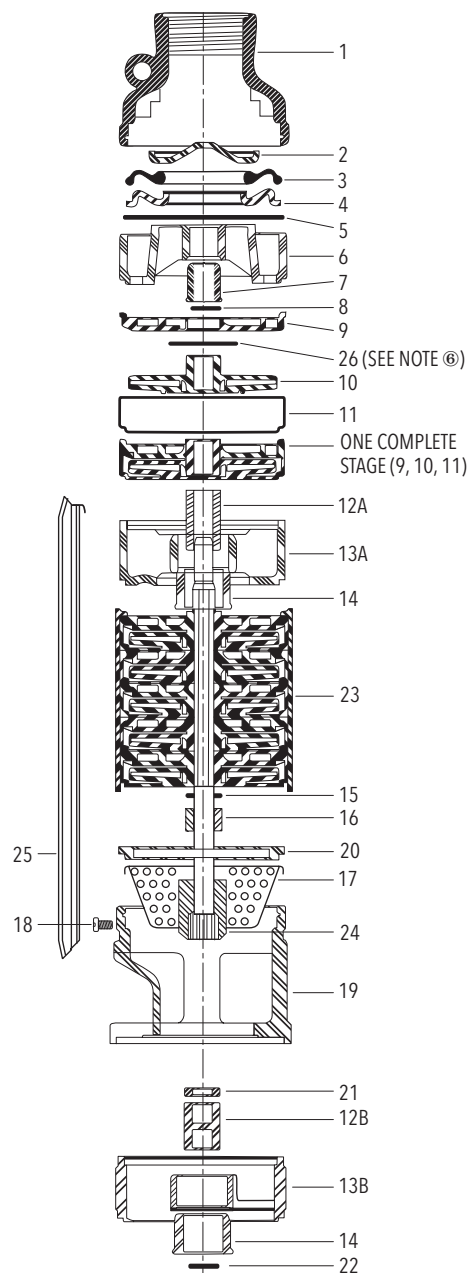
| Item No. | Part Description             | Material           | Repair Part No. |          |          | Qty.   |   |
|----------|------------------------------|--------------------|-----------------|----------|----------|--------|---|
|          |                              |                    | JB05            | JB07     | JB10     |        |   |
| 1        | Hex cap screw                | Steel              | 13K194          |          |          | 2      |   |
| 2        | Shallow well adapter         | Cast iron          | 4K400           |          |          | 1      |   |
| 3        | Deep well adapter            | Cast iron          | 4K401           |          |          | 1      |   |
| 4        | Nozzle ①                     | Delrin*            | 60 Hz           | AN018    |          | 1      |   |
|          |                              |                    | 50 Hz           | AN019    |          |        |   |
| 5        | Venturi Tube ①               | Lexan*             | 60 Hz           | AD3330   | AD3336   | AD3339 | 1 |
|          |                              |                    | 50 Hz           | AD3328   | AD3330   | AD3332 |   |
| 6        | Gasket                       | BUNA               | 5K232           |          |          | 1      |   |
| 7        | Drain plug                   | Steel              | 6K2             |          |          | 1      |   |
| 8        | Elbow connector - tubing     | Polypropylene      | 6K94            |          |          | 1      |   |
| 9        | Casing                       | Cast iron          | 1K304           |          |          | 1      |   |
| 10       | Separator plate seal ring    | BUNA-N             | 5K6             |          |          | 1      |   |
| 11       | Separator plate              | Polypropylene      | 5K253           |          |          | 1      |   |
| 12       | Diffuser (guidevane)         | Lexan*<br>10% G.F. | 3K64            | 3K65     | 3K65     | 1      |   |
| 13       | Impeller                     | Noryl* GFN2        | 2K4             | 2K60     | 2K61     | 1      |   |
| 14       | Mechanical seal - rotary     | Teepelite          | 10K2            |          |          | 1      |   |
| 15       | Mechanical seal - stationary | Ceramic            |                 |          |          |        |   |
| 16       | O-ring                       | BUNA               | 5K230           |          |          | 1      |   |
| 17       | Seal housing                 | Cast iron          | 1K305           |          |          | 1      |   |
| 18       | Motor                        | SS shaft           | SFJ04860        | SFJ05860 | SFJ06860 | 1      |   |
| 19       | Hex cap screw                | Steel              | 13K80           |          |          | 4      |   |
| 20       | Tubing - pressure switch     | Polyethylene       | 6K91            | 6K92     | 6K93     | 1      |   |
| 21       | Pressure switch              | NA                 | AS1             |          |          | 1      |   |
| 22       | Connector with locknut       | Steel              | 6K24            |          |          | 1      |   |
| 23       | Mounting base                | Steel              | 4K399           |          |          | 1      |   |
| 24       | Grommet - base               | BUNA               | 4K405           |          |          | 2      |   |

① Nozzle, venturi tube combinations are for the shallow well pumps only.  
See deep well pump bulletin for deepwell combinations.



### GS

| Item No.         | Description                     | Models with only 2 Cable Guard Screws |                      |                      |                            |                  |                  |                  |                  |        |
|------------------|---------------------------------|---------------------------------------|----------------------|----------------------|----------------------------|------------------|------------------|------------------|------------------|--------|
|                  |                                 |                                       | 5GS <sup>(H98)</sup> | 5GS <sup>(H97)</sup> | Old Style 5GS <sup>④</sup> | 7GS              | 10GS             | 13GS             | 18GS             | 25GS   |
|                  | NUMBER OF STAGES } HORSEPOWER   | 1/2R                                  | 9                    | 9                    | 11                         | 7                | 5                | -                | -                | -      |
|                  |                                 | 1/2                                   | 12                   | 12                   | 15                         | 10               | 7                | 5                | -                | -      |
|                  |                                 | 3/4                                   | 15                   | 15                   | 20                         | 13               | 10               | 7                | 6                | -      |
|                  |                                 | 1                                     | 20                   | 20                   | 25 <sup>①</sup>            | 17               | 12               | 10               | 8                | 7      |
|                  |                                 | 1 1/2                                 | 26                   | 26 <sup>①</sup>      | 34 <sup>②</sup>            | 22               | 17               | 12               | 11               | 9      |
|                  |                                 | 2                                     | -                    | -                    | -                          | 27               | 20               | 17               | 14               | 11     |
|                  |                                 | 3                                     | -                    | -                    | -                          | 34 <sup>②</sup>  | 27 <sup>①</sup>  | 21               | 19               | 15     |
|                  |                                 | 5                                     | -                    | -                    | -                          | 42 <sup>②</sup>  | -                | 30 <sup>①②</sup> | 25 <sup>①⑤</sup> |        |
| 1                | Discharge head                  | 7K1326                                |                      |                      |                            |                  |                  |                  |                  |        |
| 2                | Check valve poppet              | 7K1366                                |                      |                      |                            |                  |                  |                  |                  |        |
| 3                | Check valve seal                | 7K1368                                |                      |                      |                            |                  |                  |                  |                  |        |
| 4                | Check valve seat                | 7K1365                                |                      |                      |                            |                  |                  |                  |                  |        |
| 5                | C. V. retaining ring            | 7K1364                                |                      |                      |                            |                  |                  |                  |                  |        |
| 6                | Bearing spider - upper          | 7K1372                                |                      |                      |                            |                  |                  |                  |                  |        |
| 7                | Bearing                         | 7K1740                                |                      |                      |                            |                  |                  |                  |                  |        |
| 8                | Shaft retaining ring - upper    | 7K817                                 |                      |                      |                            |                  |                  |                  |                  |        |
| 9                | Diffuser                        | 7K1750                                | 7K9                  | 7K995                | 7K17                       | 7K20             |                  |                  |                  |        |
| 10               | Impeller                        | 7K1837                                | 7K1749               | 7K8                  | SEE <sup>③</sup>           | 7K35             | 7K16             | 7K1334           | 7K19             |        |
| 11               | Bowl                            | 7K1838                                | 7K1751               | 7K7                  |                            | 7K478            |                  | 7K858            | 7K18             |        |
| 12A <sup>①</sup> | Int. shaft sleeve               | 7K209                                 |                      |                      |                            |                  |                  | 7K209            |                  |        |
| 12B <sup>②</sup> | Int. shaft sleeve               | -                                     | -                    | 7K1490               |                            |                  |                  | 7K1490           | -                |        |
| 13A <sup>①</sup> | Int. bearing                    | 7K1371                                | 7K1501               | 7K1371               |                            |                  |                  | 7K1371           |                  |        |
| 13B <sup>②</sup> | Int. bearing                    | -                                     | -                    | 7K1499               |                            |                  |                  | 7K1499           |                  |        |
| 14 <sup>①②</sup> | Mid bearing                     | 7K1369                                |                      |                      |                            |                  |                  | 7K1369           |                  |        |
| 15               | Shim                            | 7K155                                 |                      |                      |                            |                  |                  |                  |                  |        |
| 16               | Lower shaft sleeve              | 7K1336                                | 7K1520               | 7K1336               |                            |                  |                  |                  |                  |        |
| 17               | Inlet strainer                  | 7K1370                                |                      |                      |                            |                  |                  |                  |                  |        |
| 18               | Screws - cable guard            | 13K91                                 |                      |                      |                            |                  |                  |                  |                  |        |
| 19               | Motor adapter                   | 7K1363                                |                      |                      |                            |                  |                  |                  |                  |        |
| 20               | Adapter ring                    | -                                     | -                    | 7K1500               | -                          | -                | -                | -                | -                |        |
| 21               | Spacer - mid (5GS15)            | -                                     | -                    | 7K1552               | -                          | -                | -                | -                | -                |        |
| 22 <sup>②</sup>  | Shaft retaining ring - lower    | -                                     | -                    | 7K1553               |                            |                  |                  | 7K1553           |                  |        |
| 23               | Casing } HORSEPOWER             | 1/2R                                  | 7K1527               | 7K1429               | 7K1433                     | 7K1429           | 7K1426           | -                | -                | -      |
|                  |                                 | 1/2                                   | 7K1435               | 7K1430               | 7K1566                     | 7K1433           | 7K1427           | 7K1426           | -                | -      |
|                  |                                 | 3/4                                   | 7K1840               | 7K1434               | 7K1442                     | 7K1437           | 7K1431           | 7K1427           | 7K1429           | -      |
|                  |                                 | 1                                     | 7K1841               | 7K1507               | 7K1508                     | 7K1443           | 7K1434           | 7K1431           | 7K1431           | 7K1430 |
|                  |                                 | 1 1/2                                 | 7K1754               | 7K1753               | 7K1452<br>7K1509           | 7K1449           | 7K1440           | 7K1434           | 7K1437           | 7K1435 |
|                  |                                 | 2                                     | -                    | -                    | -                          | 7K1451           | 7K1444           | 7K1440           | 7K1441           | 7K1439 |
|                  |                                 | 3                                     | -                    | -                    | -                          | 7K1453           | 7K1450           | 7K1446           | 7K1448           | 7K1445 |
|                  |                                 | 5                                     | -                    | -                    | -                          | -                | 7K1466<br>7K1636 | -                | 7K1442<br>7K1638 | 7K1667 |
| 24               | Shaft and coupling } HORSEPOWER | 1/2R                                  | 7K1033               | 7K1361               | 7K1523                     | 7K1361           | 7K1358           | -                | -                | -      |
|                  |                                 | 1/2                                   | 7K1377               | 7K1374               | 7K1524                     | 7K1376           | 7K1360           | 7K1358           | -                | -      |
|                  |                                 | 3/4                                   | 7K1831               | 7K1377               | 7K1383                     | 7K1380           | 7K1375           | 7K1360           | 7K1359           | -      |
|                  |                                 | 1                                     | 7K1458               | 7K1072               | 7K1388                     | 7K1384           | 7K1377           | 7K1375           |                  | 7K1374 |
|                  |                                 | 1 1/2                                 | 7K1839               | 7K1780               | 7K1519<br>7K1392           | 7K1389           | 7K1457           | 7K1377           | 7K1380           | 7K1378 |
|                  |                                 | 2                                     | -                    | -                    | -                          | 7K1391           | 7K1458           | 7K1457           | 7K1382           | 7K1381 |
|                  |                                 | 3                                     | -                    | -                    | -                          | 7K1462<br>7K1213 | 7K1390           | 7K1386           | 7K1387           | 7K1385 |
|                  |                                 | 5                                     | -                    | -                    | -                          | -                | 7K1393<br>7K1221 | -                | 7K1736<br>7K1737 | 7K1347 |
| 25               | Cable guard } HORSEPOWER        | 1/2R                                  | 7K1400               | 7K1398               | 7K1403                     | 7K1398           | 7K1396           | -                | -                | -      |
|                  |                                 | 1/2                                   | 7K1405               | 7K1400               | 7K1525                     | 7K1403           | 7K1397           | 7K1396           | -                | -      |
|                  |                                 | 3/4                                   | 7K1409               | 7K1404               | 7K1526                     | 7K1406           | 7K1401           | 7K1397           | 7K1398           | -      |
|                  |                                 | 1                                     | 7K1415               | 7K1424               | 7K1432                     | 7K1413           | 7K1404           | 7K1401           |                  | 7K1400 |
|                  |                                 | 1 1/2                                 | 7K1373               | 7K1755               | 7K1422                     | 7K1419           | 7K1410           | 7K1404           | 7K1406           | 7K1405 |
|                  |                                 | 2                                     | -                    | -                    | -                          | 7K1421           | 7K1414           | 7K1410           | 7K1411           | 7K1409 |
|                  |                                 | 3                                     | -                    | -                    | -                          | 7K1423           | 7K1420           | 7K1416           | 7K1418           | 7K1415 |
|                  |                                 | 5                                     | -                    | -                    | -                          | -                | 7K1635           | -                | 7K1425           | 7K1659 |



- ① Indicates model with one intermediate bearing, 18GS50 old style casing 7K1455, shaft and coupling 7K1395, cable guard 7K1425 (single casing design).
- ② Indicates model with split case pump.
- ③ For 1/2 HP - HP use impeller 7K1343.  
For 2 HP - 3 HP use impeller 7K994.
- ④ Old style 5GS through G97, new design started H97.
- ⑤ Changed to 25 stages Nov. 1997 (L97). 26 stage casing 7K1454, shaft 7K1394, cable and coupling guard 7K1423.
- ⑥ For index number 26, use part no. 7K15 for the following models: 10GS20, 10GS30, 10GS50, 18GS50, 25GS50, 5GS15, 5GS20, 7GS20, 7GS30.

### 5LS, 7LS, 10LS, 18LS, 25LS

Use for LS pumps built before February 2004. They are identified by either an internal check valve or by a brass external check valve.

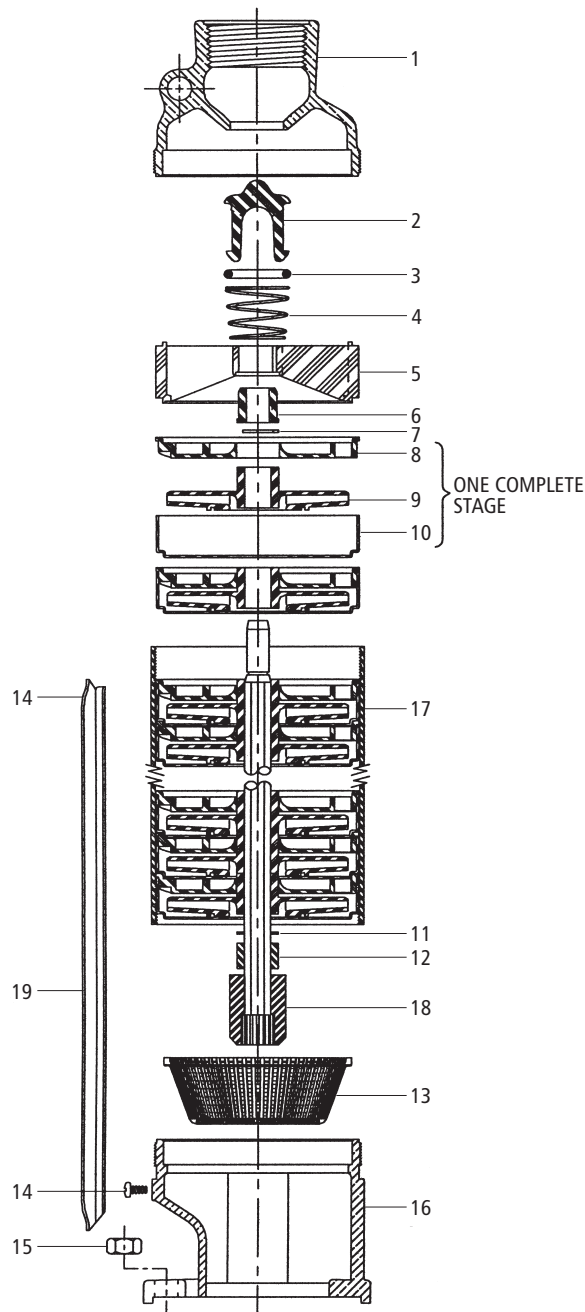
| Item No. | Description                             | HP    | Current Models <sup>②</sup>   |                 |        |        |        |        |
|----------|---|-------|-------------------------------|-----------------|--------|--------|--------|--------|
|          |   |       | 5LS <sup>①</sup><br>(H97-G98) | 5LS<br>(H98)    | 7LS    | 10LS   | 18LS   | 25LS   |
|          | <b>Number of Stages</b>                 | 1/2   | 12                            | 12              | 10     | 7      | -      | -      |
|          |   | 3/4   | 15                            | 15              | 13     | 10     | 6      | -      |
|          |   | 1     | 20                            | 20              | 17     | 12     | 8      | 7      |
|          |   | 1 1/2 | -                             | 26 <sup>③</sup> | 22     | 17     | 11     | 9      |
| 1-4      | Discharge head/<br>check valve assembly |       | 7K1744                        |                 |        |        |        |        |
| 2        | Check valve poppet                      |       | 7K1559                        |                 |        |        |        |        |
| 3        | Check valve o-ring                      |       | 5K254                         |                 |        |        |        |        |
| 4        | Check valve spring                      |       | 7K1746                        |                 |        |        |        |        |
| 5        | Bearing spider                          |       | 7K1372                        |                 |        |        |        |        |
| 6        | Bearing                                 |       | 7K1740                        |                 |        |        |        |        |
| 7        | Retaining ring                          |       | 7K817                         |                 |        |        |        |        |
| 8        | Diffuser                                |       | 7K1750                        | 7K1750          | 7K995  | 7K17   | 7K20   | 7K20   |
| 9        | Impeller                                |       | 7K1749                        | 7K1837          | 7K1343 | 7K35   | 7K1334 | 7K1914 |
| 10       | Bowl                                    |       | 7K1751                        | 7K1838          | 7K478  | 7K478  | 7K858  | 7K1886 |
| 11       | Shim                                    |       | 7K155                         |                 |        |        |        |        |
| 12       | Shaft sleeve                            |       | 7K1336                        |                 |        |        |        |        |
| 13       | Suction strainer                        |       | 7K1637                        |                 |        |        |        |        |
| 14       | Cable guard screws                      |       | 13K91                         |                 |        |        |        |        |
| 15       | Hex nut                                 |       | 13K114                        |                 |        |        |        |        |
| 16       | Motor adapter                           |       | 7K1745                        |                 |        |        |        |        |
| 17       | Casings                                 | 1/2   | 7K1430                        | 7K1938          | 7K1936 | 7K1905 | -      | -      |
|          |   | 3/4   | 7K1434                        | 7K1941          | 7K1939 | 7K1935 | 7K1964 | -      |
|          |   | 1     | 7K1507                        | 7K1949          | 7K1973 | 7K1938 | 7K1935 | 7K1914 |
|          |   | 1 1/2 | -                             | 7K1954          | 7K1951 | 7K1944 | 7K1939 | 7K1943 |
| 18       | Shaft and coupling<br>(assemblies)      | 1/2   | 7K1374                        | 7K1377          | 7K1376 | 7K1360 | -      | -      |
|          |   | 3/4   | 7K1377                        | 7K1381          | 7K1380 | 7K1375 | 7K1359 | -      |
|          |   | 1     | 7K1072                        | 7K1458          | 7K1384 | 7K1377 | 7K1375 | 7K1374 |
|          |   | 1 1/2 | -                             | 7K1839          | 7K1389 | 7K1457 | 7K1380 | 7K1378 |
| 19       | Cable guards                            | 1/2   | 7K1400                        | 7K1888          | 7K1886 | 7K1883 | -      | -      |
|          |   | 3/4   | 7K1404                        | 7K1890          | 7K1889 | 7K1886 | 7K1883 | -      |
|          |   | 1     | 7K1424                        | 7K1917          | 7K1916 | 7K1888 | 7K1886 | 7K1886 |
|          |   | 1 1/2 | 7K1922                        | -               | 7K1919 | 7K1916 | 7K1888 | 7K1888 |

① H97 - Began using large diameter hydraulic, previous models using small diameter hydraulic.

② Current models are identified by 4 cable guard screws.

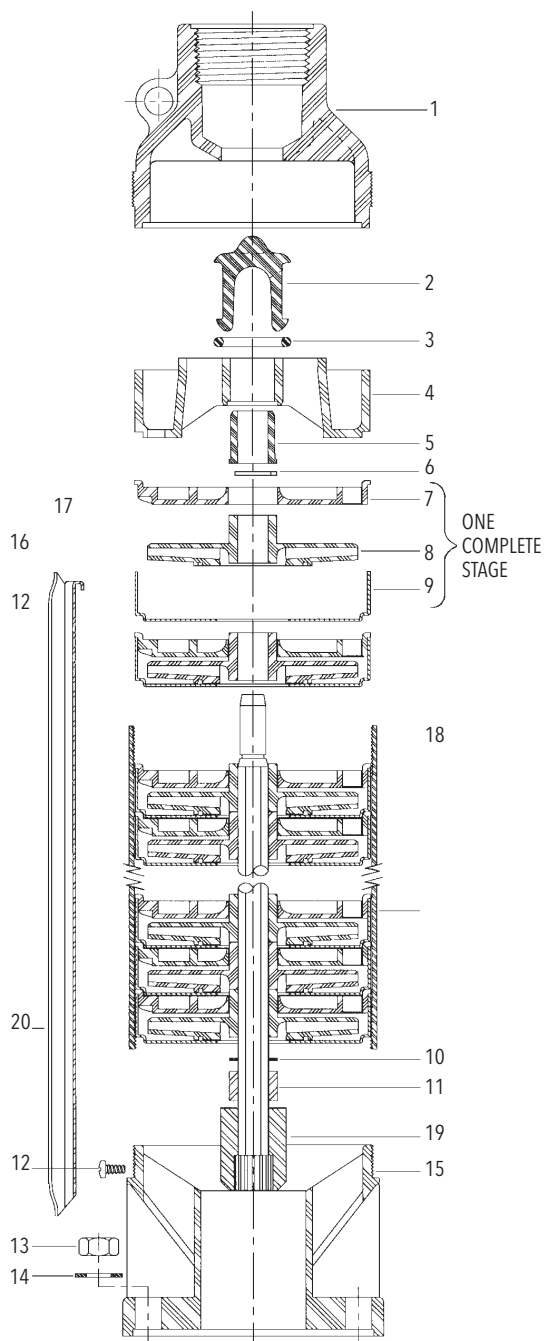
③ Indicates model with one intermediate bearing spider 7K1371, one mid-bearing 7K1369 and one intermediate shaft sleeve 7K209.

Models 7LS15 and all 5LS models use (1) upthrust washer, part number 7K15, in the upper stage.





### 5SB, 7SB, 10SB, 18SB



Use for SB Bruiser pumps built prior to July 2004. They are identified by an internal check valve and a visibly different discharge head with 1 safety loop.

| Item No. | Description                   | Obsolete Models |          | Current Models |                  |        |        |        |
|----------|-------------------------------|-----------------|----------|----------------|------------------|--------|--------|--------|
|          |                               | HP              | 5SB<br>② | 5SB<br>(H97)   | 5SB ③<br>Current | 7SB    | 10SB   | 18SB   |
|          | NUMBER OF STAGES              | 1/2             | 15       | 12             | 12               | 10     | 7      | -      |
|          |                               | 3/4             | 20       | 15             | 15               | 13     | 10     | 6      |
|          |                               | 1               | 25 ④     | 20             | 20               | 17     | 12     | 8      |
|          |                               | 1 1/2           | -        | -              | -                | -      | 17     | 11     |
| 1 - 3    | Discharge head assembly       |                 | 7K1560   | 7K1560         | 7K2077           | 7K2077 | 7K2077 | 7K2077 |
| 2        | Check Valve Poppet            |                 | 7K1559   | 7K1559         | 7K1559           | 7K1559 | 7K1559 | 7K1559 |
| 3        | Check valve o-ring            |                 | 5K254    | 5K254          | 5K254            | 5K254  | 5K254  | 5K254  |
| 4        | Bearing spider                |                 | 7K1372   | 7K1372         | 7K1372           | 7K1372 | 7K1372 | 7K1372 |
| 5        | Bearing                       |                 | 7K1740   | 7K1740         | 7K1740           | 7K1740 | 7K1740 | 7K1740 |
| 6        | Shaft retaining ring          |                 | 7K817    | 7K817          | 7K817            | 7K817  | 7K817  | 7K817  |
| 7        | Diffuser                      |                 | 7K9      | 7K1750         | 7K1750           | 7K995  | 7K17   | 7K20   |
| 8        | Impeller                      |                 | 7K8      | 7K1749         | 7K1837           | 7K1343 | 7K35   | 7K1334 |
| 9        | Bowl                          |                 | * 7K7    | * 7K1751       | * 7K1838         | 7K478  | 7K478  | 7K858  |
| 10       | Shim                          |                 | 7K155    | 7K155          | 7K155            | 7K155  | 7K155  | 7K155  |
| 11       | Shaft sleeve                  |                 | 7K1336   | 7K1336         | 7K1336           | 7K1336 | 7K1336 | 7K1336 |
| 12       | Screws - cable guard          |                 | 13K122   | 13K122         | 13K122           | 13K122 | 13K122 | 13K122 |
| 13       | Hex nut                       |                 | 13K114   | 13K114         | 13K114           | 13K114 | 13K114 | 13K114 |
| 14       | Washer                        |                 | 7K1565   | 7K1565         | 7K1565           | 7K1565 | 7K1565 | 7K1565 |
| 15       | Motor adapter                 |                 | 7K1561   | 7K1561         | 7K2078           | 7K2078 | 7K2078 | 7K2078 |
| 16       | Motor lead insulator          |                 | 7K1023   | 7K1023         | 7K1023           | 7K1023 | 7K1023 | 7K1023 |
| 17       | Upthrust washer               |                 | 7K15     | 7K15           | 7K15             | -      | -      | -      |
| 18       | Casings                       | 1/2             | 7K1522   | 7K1430         | 7K2082           | 7K1937 | 7K2085 | -      |
|          |                               | 3/4             | 7K1442   | 7K1434         | 7K1972           | 7K2084 | 7K2086 | 7K2018 |
|          |                               | 1               | 7K1508   | 7K1507         | 7K1971           | 7K1948 | 7K2082 | 7K2089 |
|          |                               | 1 1/2           | -        | -              | -                | -      | 7K1973 | 7K2090 |
| 19       | Shaft and Coupling Assemblies | 1/2             | 7K1524   | 7K1374         | 7K1377           | 7K1376 | 7K1360 | -      |
|          |                               | 3/4             | 7K1383   | 7K1377         | 7K1381           | 7K1380 | 7K1375 | 7K1359 |
|          |                               | 1               | 7K1388   | 7K1072         | 7K1458           | 7K1384 | 7K1377 | 7K1375 |
|          |                               | 1 1/2           | -        | -              | -                | -      | 7K1457 | 7K1380 |
| 20       | Cable guards                  | 1/2             | 7K1525   | 7K1400         | 7K2079           | 7K1887 | 7K1883 | -      |
|          |                               | 3/4             | 7K1526   | 7K1404         | 7K1891           | 7K2080 | 7K1887 | 7K1884 |
|          |                               | 1               | 7K1417   | 7K1424         | 7K1918           | 7K2081 | 7K2079 | 7K1886 |
|          |                               | 1 1/2           | -        | -              | -                | -      | 7K1916 | 7K2080 |

① Model has one intermediate bearing 7K1501 which includes the bearing spider and the bearing.

② First 5SB design using small diameter bowl and original 5ES impellers and diffusers.

③ Current 5SB has longer discharge head and motor adapter threads, longer casing and cable guard, and 4 cable guard screws.

## NOTES

## NOTES



Xylem, Inc.  
2881 East Bayard Street Ext., Suite A  
Seneca Falls, NY 13148  
Phone: (800) 453-6777  
Fax: (888) 322-5877  
[www.xyleminc.com/brands/gouldswatertechnology](http://www.xyleminc.com/brands/gouldswatertechnology)

Goulds is a registered trademark of Goulds Pumps, Inc. and is used under license. Irri-gator is a trademark of Xylem Inc. or one of its subsidiaries. Noryl and Lexan are registered trademarks of GE Plastic. Amodel is a registered trademark of Solvay. Delrin is a registered trademark of DuPont. Durez is a registered trademark of Durez Corporation, a division of Sumitomo Bakelite Company, Ltd.

© 2012 Xylem Inc. ROBJETSU July 2004