

ITT

Commercial Water

Goulds Pumps

G&L Series SHV

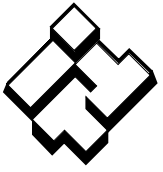
Vertically Immersed Stainless Steel
End Suction Pump
Repair Parts



Goulds Pumps is a brand of ITT Corporation.

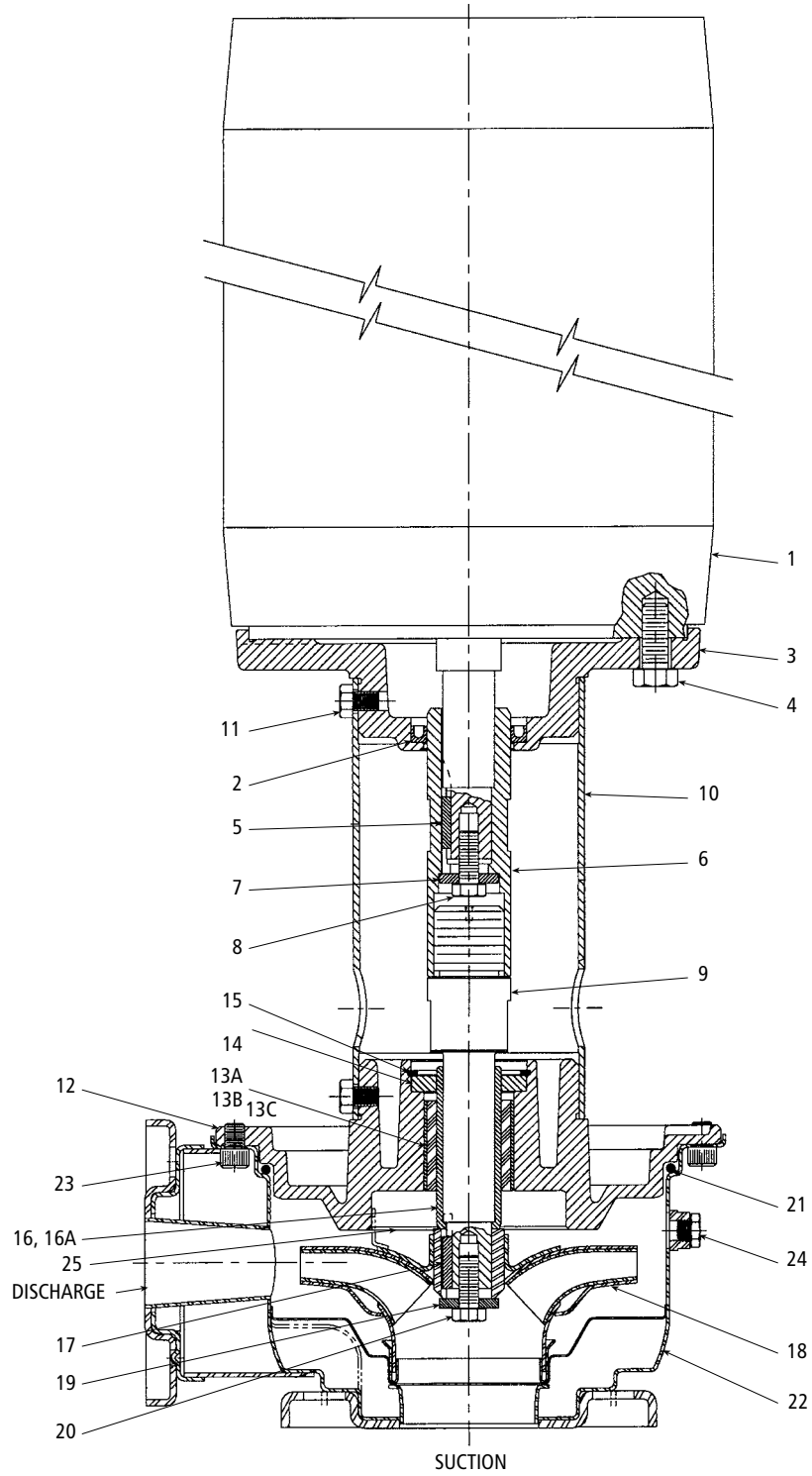
www.goulds.com

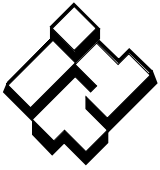
Engineered for life



ITT

GOULDS PUMPS Commercial Water



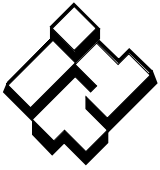


ITT

GOULDS PUMPS Commercial Water

LIST OF MATERIALS

Item No.	Part Description	Material	Repair Part Numbers					Quantity					
			1x2-6 9SHV	1x2-8 10SHV	1.5x2.5-6 4SHV	1.5x2.5-8 7SHV	2x2.5-6 5SHV						
1	Motor 143JM - 256JM	N/A	SEE MOTOR SELECTION PAGE IN PRICE BOOK					1					
2	Seal, U-Cup	Teflon	10K76					1					
	Seal, U-Cup 254JM - 256JM		10K145					1					
3	Motor Mounting Plate 143JM - 184JM	Painted	1L529					1					
	Motor Mounting Plate 213JM - 256JM	Iron	1L527										
4	Bolt, Motor 143JM - 184JM	Plated	13K194					4					
	Bolt, Motor 213JM - 256JM	Steel	13K102										
5	Key, Motor 143JM - 215JM	304SS	4K11					1					
	Key, Motor 254JM - 256JM		4K278					1					
6	Coupling 143JM - 215JM		4K422					1					
	Coupling 254JM - 256JM		4K633					1					
7	Washer, Coupling 143JM - 215JM		13L39B					1					
	Washer, Coupling 254JM - 256JM		13K358					1					
8	Bolt, Coupling 143JM - 215JM		13K43B					1					
	Bolt, Coupling 254JM - 256JM		13K155					1					
9	Shaft Extension, 14 inch 143JM - 215JM		4K420					1					
	Shaft Extension, 24 inch 143JM - 215JM		4K427										
	Shaft Extension, 14 inch 254JM - 256JM		4K634					1					
	Shaft Extension, 24 inch 254JM - 256JM		4K635										
10	Column Tube, 14 inch	6K121					1						
	Column Tube, 24 inch	6K122											
11	Bolt, Column Tube	13K274					6						
12	Pump mounting plate, 6 inch		1L528	1L530	1L528	1L530	1L528	1					
13	Bearing	Viton	4K425					1					
		EPR	7K1742										
		Carbon	4K424										
14	Bushing	Nitronic 60	4K423					1					
15	Snap Ring	300SS	4K426					1					
16	Shaft Sleeve - Standard	304SS	4K421					1					
	Shaft Sleeve - Ceramic Coated		4K442										
17	Key, Impeller		4K11					1					
18	Impeller (diameter in inches)	316SS	6.62	2L734	8.06	2L739	6.75	2L754	8.25	2L757	6.88	2L766	1
			6.44	2L733	7.69	2L737	6.38	2L752	7.81	2L756	6.44	2L765	
			5.69	2L731	7.38	2L736	6.06	2L750	7.00	2L755	5.81	2L763	
			5.38	2L730	7.12	2L735	5.62	2L749	6.75	2L754	5.50	2L762	
							5.31	2L748	6.44	2L753	5.12	2L761	
							4.69	2L747	6.12	2L751	4.81	2L760	
							4.38	2L746			4.44	2L759	
							4.19	2L745			4.25	2L758	
				3.88	2L744								
19	Washer, Impeller	304SS	13L39					1					
20	Bolt, Impeller		13K43					1					
21	O-Ring, Casing	Viton	5L42	5L43	5L42	5L43	5L42	1					
		EPR	5L46	5L47	5L46	5L47	5L46						
22	Casing, with wear ring	316SS	1L450	1L451	1L453	1L454	1L456	1					
23	Bolt, Casing	304SS	13K274		13K274	13K274		8					
24	Plug, Vent and Drain	316SS	6L19					2					
25	Thrust Plate	316SS	3L41					1					



ITT

Commercial Water



Goulds Pumps and the ITT Engineered Blocks Symbol are registered trademarks and tradenames of ITT Corporation.

SPECIFICATIONS ARE SUBJECT TO CHANGE WITHOUT NOTICE.

RGLSHV March, 2008

© 2008 ITT Corporation

Engineered for life