

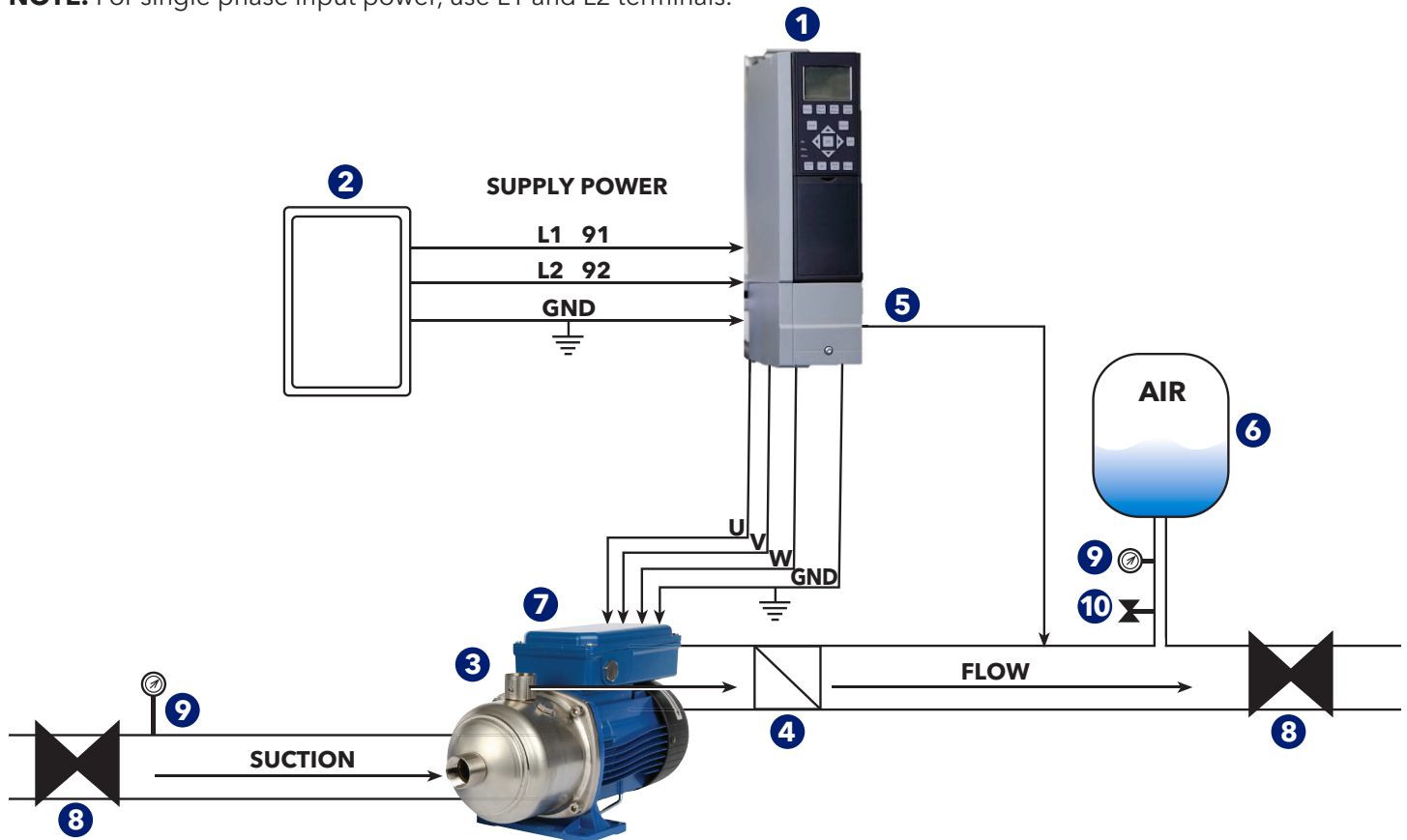
e-AB2 Packages - Aquavar IPC

START-UP GUIDE - NO PROGRAMMING REQUIRED

e-AB2 Booster Setup

Diagram #1 shows a set-up for municipal water connection.

NOTE: For single phase input power, use L1 and L2 terminals.



- | | |
|---|---|
| 1 IPC Controller | 6 Air Diaphragm Tank (Precharge to 20 PSI Below System Pressure) |
| 2 Incoming Service | 7 3 Phase Motor |
| 3 Centrifugal Pump | 8 Gate Valve (Recommended) |
| 4 Spring Check Valve | 9 Pressure Gauge |
| 5 Pressure Transducer (Cable Assembly) | 10 Pressure Relief Valve |

Connect the motor and power wires

Note that e-AB2 packages utilize single phase 230V input power to the VFD. Output power to the motor is three phase. Connect single phase input power to L1 and L2.

Check the pump and motor rotation

STEP 1: Touch the "Hand On" button.

STEP 2: If the motor is running backwards, power down the drive, wait five minutes and reverse the motor wires.

STEP 3: Once rotation is verified, touch the "Off" button.

STEP 1



STEP 3



Select Auto On button to start system

Adjust the pressure (the factory default value is 50 PSI)

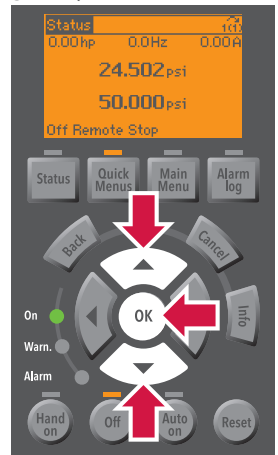
STEP 1: Hold "OK" button

STEP 2: While holding "OK", use up and down arrows to increase/decrease setpoint

Two IPCs can operate together in duplex configuration. Refer to the "Aquavar IPC - Literature" section at www.goulds.com. Duplex harness cable is available in 3' (part 9K706) and 6' (part 9K707) lengths.

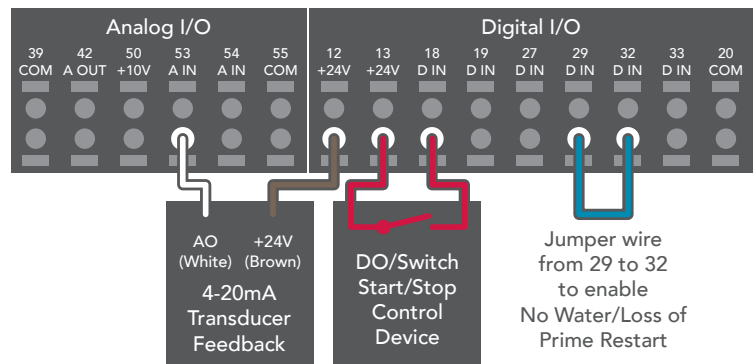
For additional details of Aquavar IPC programming, refer to IM255.

STEP 1/2



The Aquavar IPC controller is factory programmed with the following presets:

- Motor characteristics are matched to the e-AB2 pump/motor assembly:
 - > Horsepower
 - > Voltage
 - > Frequency
 - > Nominal motor speed
 - > Full load amps
 - > Surface motor type
 - > Sleep frequency of 30 Hz
 - > Single pump system
 - > Constant pressure application
 - > PSI units for pressure feedback
- The default set pressure is 50 PSI.
- The analog A53 switch terminal is set for use with 4-20 mA Pressure Transducer (0-300 psi). Pressure transducer cable should be installed in A53 and D12 terminals (page 34 of IM255).
- The following jumpers are installed:
 - > D13 and D18 - Start / Stop - closed
 - > D29 and D32 - No Water / Loss of Prime Restart



Xylem Inc.

2881 East Bayard Street Ext., Seneca Falls, NY 13148

Phone: (800) 453-6777 • Fax: (888) 322-5877

Technical Hotline: (866) 673-0445

www.xylem.com/centripro

CentriPro and Aquavar are trademarks of Xylem Inc. or one of its subsidiaries.

© 2019 Xylem Inc. IM280 Rev. 4 June 2019