



# Standard and Dual Voltage Motors

INSTALLATION, OPERATION AND MAINTENANCE INSTRUCTIONS



# Table of Contents

Safety Instructions ..... 2

Handling and Installation ..... 3

Submersible Motor Performance Guidelines For Use On Variable Frequency Drives ..... 4

Pre-Installation ..... 5

Maintenance ..... 6

Operation ..... 6

Figures 1, 2 and 3; Tables 1 and 2 ..... 7

Figure 4; Table 3 ..... 8

Table 4 & 5 - Three Phase Motor Data ..... 9, 10

Three Phase 75° C Cable, 60 Hz ..... 11

Troubleshooting of Submersible Motors ..... 12

Motor Cooling, Temperature Ratings ..... 13

Limited Warranty ..... 14

## Owners Information

Complete this information for your records.  
 Model number and serial number may be found  
 on the tag mounted to the pump casing.

Pump Model Number \_\_\_\_\_

Pump Serial Number \_\_\_\_\_

Control Model Number \_\_\_\_\_

Dealer \_\_\_\_\_

Dealer phone number \_\_\_\_\_

Date of purchase \_\_\_\_\_

Date of installation \_\_\_\_\_

Current Readings at Startup:

1 Ø	3 Ø	L1-2	L2-3	L3-1
Amps: _____	Amps: _____	_____	_____	_____
Volts: _____	Volts: _____	_____	_____	_____
_____	_____	_____	_____	_____

# I. Safety

**TO AVOID SERIOUS OR FATAL PERSONAL INJURY OR MAJOR PROPERTY DAMAGE, READ AND FOLLOW ALL SAFETY INSTRUCTIONS IN MANUAL AND ON PUMP.**

**THIS MANUAL IS INTENDED TO ASSIST IN THE INSTALLATION AND OPERATION OF THIS UNIT AND MUST BE KEPT WITH THE PUMP.**



---

This is a **SAFETY ALERT SYMBOL**. When you see this symbol on the pump or in the manual, look for one of the following signal words and be alert to the potential for personal injury or property damage.

---



---

Warns of hazards that **WILL** cause serious personal injury, death or major property damage.

---



---

Warns of hazards that **CAN** cause serious personal injury, death or major property damage.

---



---

Warns of hazards that **CAN** cause personal injury or property damage.

---

**NOTICE: INDICATES SPECIAL INSTRUCTIONS WHICH ARE VERY IMPORTANT AND MUST BE FOLLOWED.**

**THOROUGHLY REVIEW ALL INSTRUCTIONS AND WARNINGS PRIOR TO PERFORMING ANY WORK ON THIS PUMP.**

**MAINTAIN ALL SAFETY DECALS.**

## II. Handling and Installation

1. Do not use lead wires to pull, lift or handle the motor. The lead wires should be protected during storage, handling, moving and installation of the motor.
2. Inspect the motor to determine that it is the correct HP, voltage and size for the job and that there is no shipping damage.
3. The factory-installed water in the motor is supplied with antifreeze capable of temperatures to -30° C (-22° F). Do not install, transport or store below these temperatures. If storage is necessary below these temperatures, drain the water from the motor.
4. After long periods of idleness and on all new installations, check the electrical resistance and megger the motor with lead wires connected. The insulation resistance should have a value of at least 5 megohms at installation and at least 1 megohm after running.
5. Verify motor is filled with clean water before installing. The warranty is void if this is not done. Also check the tightness of all water filling and drain plugs, mounting bolts and cable connections.
6. Do not hammer the shaft, coupling or slinger since this may damage the thrust bearing. Check the rotation of the motor by hand to insure that it turns freely.
7. Do not drop the bottom end of the motor in the dirt or mud since this may plug up the diaphragm opening.
8. If motor is to be installed horizontally, make sure that the lead wires are at the 12 o'clock position when facing the motor shaft (in horizontal position).
9. Before installation, verify that the motor is the correct required voltage. (If not, refer to step 12 below; CHANGING MOTOR VOLTAGE.)
10. Check that winding coil resistance in each phase is equal to values in Table 2 or 4.
11. Select the proper overload relay or heaters per Table 3 or 6.
12. CHANGING MOTOR VOLTAGE

Motor voltage can be changed from 460V to 230V or from 230V to 460V by changing the voltage plug as follows:

- A. Remove the existing voltage sticker from the voltage plug.
  - B. Remove the two  $\frac{5}{32}$ " Allen screws and carefully pull the voltage plug up and out using two screwdrivers as shown in Figure 1.
  - C. Check to be sure the new plug is not damaged and that it is the correct required voltage.
  - D. Verify that the plug and the socket in the motor housing are clean and dry.
  - E. Coat the sealing surface of the voltage plug with Dow Corning 732-3 or comparable silicone sealant as shown in Figure 2.
  - F. Insert the new voltage plug as shown in Figure 3. Note that the top of the numerals are toward the shaft and the bottom is near the outer side of the motor.
  - G. Secure the new voltage plug into the motor with the two Allen screws. Tighten the screws until the outer stainless steel portion of the plug contacts the motor housing.
  - H. Mount the new voltage sticker furnished with the new plug on the motor control panel or starter.
13. **CAUTION** Always verify that the voltage of the plug installed in the motor is the correct required voltage even if you made no change. Improper installation of the voltage plug voids all warranties.

# III. Submersible Motor Performance Guidelines For Use On Variable Frequency Drives

The CentriPro motor has been used extensively with variable frequency drives. As with any modified application, there are considerations to evaluate when using an inverter, or Variable Frequency Drive (VFD), to operate a submersible motor. To ensure reliable operation, the following guidelines must be followed when using the 2 pole CentriPro submersible motor with a VFD.

1. Proper, class 10, quick trip, overload protection must be used at all times. As a minimum, Overloads must trip at five times full load current within 10 seconds on any phase.
2. A minimum of 1.5 times full load current should be available to initially start the motor if needed.
3. Minimum operating frequency is 30 hertz
4. Minimum Speed:  $0.5 \times \text{Synchronous Speed}$  (Example:  $3600 \text{ RPM} \times .5 = 1800 \text{ RPM}$ )
5. Maximum Speed:  $1.00 \times \text{Full Load Speed}$
6. Ramp-up Time: Maximum 1 second to reach 30 Hz, maximum 4.0 seconds to reach current limit and rated speed
7. Ramp down time: from minimum frequency to power shutoff shall be four (4) seconds.
8. At the minimum speed (see #3), one-half foot per second water velocity, at rated temperature, must be maintained past the motor. Velocity in excess of 10 feet per second is not recommended.
9. The VFD must maintain a constant volts to Hertz ratio. The controls must be rated the same as motor nameplate.
10. The output of the VFD must have a filtering or line conditioning device installed to eliminate voltage waveform phenomenon that might adversely affect motor components and elements. Power at the motor leads must be clean, free of high voltage transients, harmonics, and within the voltage range of the motor (1000V peak at more than .2 microsecond rise time).
11. All other requirements and restrictions for the CentriPro submersible motor apply.

These are general guidelines for the operation of the 2 pole CentriPro submersible motor on AC Inverters incorporating IGBT type switching devices and starting from zero rotation with a limited, immediate, hydraulic load.

## IV. Pre-Installation

1. Maximum Water Temperature:
  - A) 35° C (95° F): 6" (5 – 40 HP) motors.
  - B) 25° C (77° F): 6" (50 HP), 8" and 10" motors.
2. PH content of the water between: 6.5–8
3. Maximum Chlorine Content: 500 PPM  
Maximum Sulfuric Acid Iron Content: 15 PPM  
Maximum Flourine Content: 0.8 PPM  
Maximum Electric Conductivity: 118  $\mu$ MHO/INCH
4. Maximum Sand Content: 50 PPM
5. Proper approved three phase overload protection. Class 10, quick trip overloads are mandatory. See Table 4, 6 or 7.
6. Proper fusing for motor circuit protection. See Table 5.
7. Proper Line Voltage During Running Conditions:  
460V  $\pm$ 10%, i.e. 506 to 414 volts  
230V  $\pm$ 10%, i.e. 253 to 207 volts  
For a 60 cycle system measured at motor lead wire terminal.  
(Voltage drop of cable should be considered by user.)  
Current unbalance between legs should not exceed 5% of the average.
8. Proper sizing of motor (current, thrust, voltage, etc.) and a 10 ft. clearance from the bottom of the well are required.
9. In the case of horizontal installation, the motor is to be rigidly aligned with the pump and firmly mounted to prevent any load on the shaft and bearings and to avoid any damaging vibrations to the motor. Also, see #8 in Section II.
10. The motor must always be immersed in water so that a flow velocity of cooling water at a rate of 0.5 feet per second flows past any and all parts of the motor. The motor will not operate in mud or sand.
11. The power cables shall be sized large enough so that at rated current there will be less than a 5% voltage drop. Cables must be waterproof submersible type. See Table 8.
12. For 3 $\emptyset$  motors a balanced and properly sized transformer bank shall be provided. Improper electrical supply (for example, phase converter, V-connection transformer, etc.) or connections will void the warranty.
13. Single phase protection is recommended for protection of the installation. Any failure due to single phasing of the incoming voltage causing the motor to fail will void the warranty.
14. Lightning arrestors are recommended in the interest of protecting the control panel, as well as the insulation system of the motor. Any motor failure due to lightning or other Acts of God will void the warranty.
15. Provide waterproof insulation splices between all lead wires and well cables.
16. In the event that a reduced voltage starter is used to start the motor, the following should be verified:
  - A. Correct quick trip ambient compensated overloads are incorporated.
  - B. Proper short circuit protection is utilized.
  - C. The torque required by the motor and pump package is attainable by this type starter.
  - D. The lead arrangement of the motor is acceptable with the proposed starter load connections.

- E. Verify that if any time delay relays are used in switching contactors in and out, that the time settings are not too long; this could damage the motor.
  - F. If a manual auto transformer starter is used, don't wait too long to go into the "Run" condition and don't "tease" the contacts. Double check Table 4 for correct protection.
17. Single Phase Motors (5-15 HP)
- Proper connections and correct capacitors and relays are necessary for single phase motor starting and running.
- Connection Diagram: See Figure 1.
- See recommended capacitors in Table 3 and recommended control boxes in Table 1.
18. Do not expose motor leads to air. Leads must be submerged for cooling.

## V. Maintenance

There are no bearings that need oil or grease. The motor, being inaccessible, should be monitored through its electrical connections.

1. Measure and record operating current and voltage.
2. Measure and record the motor insulation resistance. Any resistance of less than 5 megohm (5,000,000) for a new motor should be evaluated or checked further by a qualified service shop.
3. Lightning arrestors and/or surge capacitors will help prevent damage to the control box, cables and motor.
4. Single phase protection will help in preventing motor failure due to adverse incoming primary power.
5. Based on the values obtained in 1 and 2 above and the output flow rates and pressures of the pump, a complete picture of total performance can be obtained. This can be used to determine any pump and motor maintenance and overhauling which might be required.
6. If the motor is to be stored, protect the unit from freezing by storing in an area with a temperature higher than  $-30^{\circ}\text{C}$  ( $-22^{\circ}\text{F}$ ).

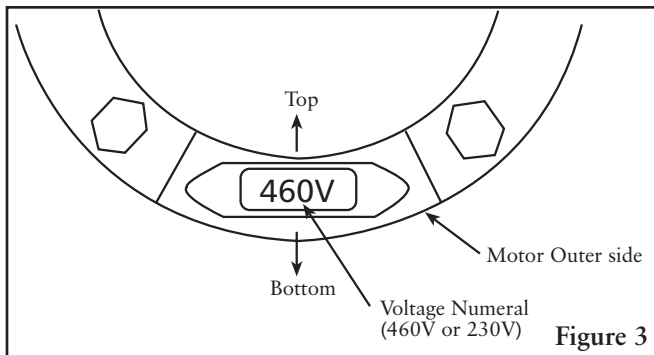
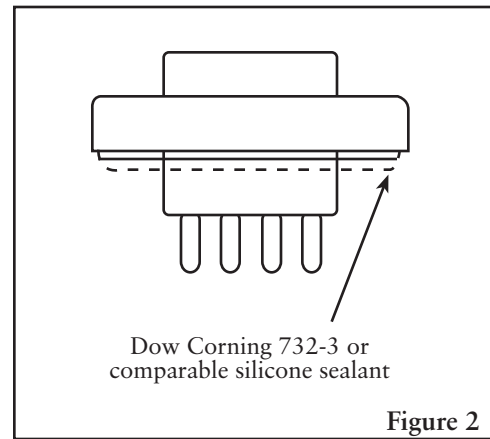
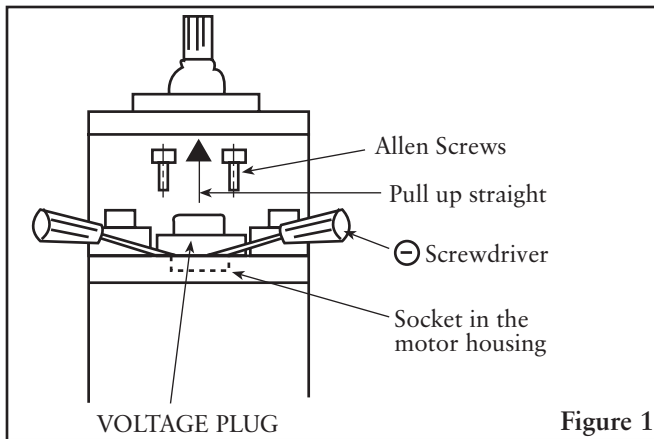
## VI. Operation

1. After energizing the motor, check the flow and pressure of the pump to make sure that the motor is rotating in the correct direction. To correct a wrong rotation, switch any two of the three cable connections. (Three phase motor only.)
2. When starting the pump for the first time, inspect the water for sand. If sand appears, then continue to pump until the water clears up; otherwise, sand will accumulate in the pump stages and will bind or freeze the moving parts if water is allowed to flow back down the well.
3. During testing or checking rotation (such as "bumping" or "inching") the number of "starts" should be limited to 3, followed by a full 15 minute cooling-off period before any additional "starts" are attempted. Depending on the depth of the well and/or method of checking, these rotational checks or "starts" may actually be full-fledged starts. If this is the case, then a full cooling-off period of 15 minutes is required between this type of start.
4. For automatic (pilot device) operation, the motor should be allowed to cool for 15 minutes between starts.
5. Input voltage, current and insulation resistance values should be recorded throughout the life of the installation and should be used as a form of preventive maintenance.

**Table 2 — Resistance Data**

---





**Table 1 — 6" Single Phase Motors and Required Control Boxes**

Motor Order No.	HP	kW	Volts	Motor Dia. vs Flange Dia.	S.F.	Rated Input		Service Factor		L.R. Amps	Control Box Order No.
						Amps	Watts	Amps	Watts		
6M051	5	3.7	230	6" x 6"	1.15	24	4987	27.5	5735	124	CB05MC
6M071	7.5	5.5				36	7675	41	8950	167	CB07MC
6M101	10	7.5				50	10135	58	11830	202	CB10MC
6M151	15	11				72	15180	85	18050	275	CB15MC

**Table 2 — 6" Single Phase Resistance, KVA, Efficiency**

Motor Order No.	HP	kW	Volts	Phase	F.L. Efficiency %	KVA Code	Resistance - Ohms		
							R - Y	B - Y	R - B
6M051	5	3.7	230	1	74.8	G	2.172	0.512	2.627
6M071	7.5	5.5			72.9	F	1.401	0.400	1.774
6M101	10	7.5			73.6	E	1.052	0.316	1.310
6M151	15	11			73.7	D	0.678	0.230	0.850

### Connection Diagram For Single Phase Motors

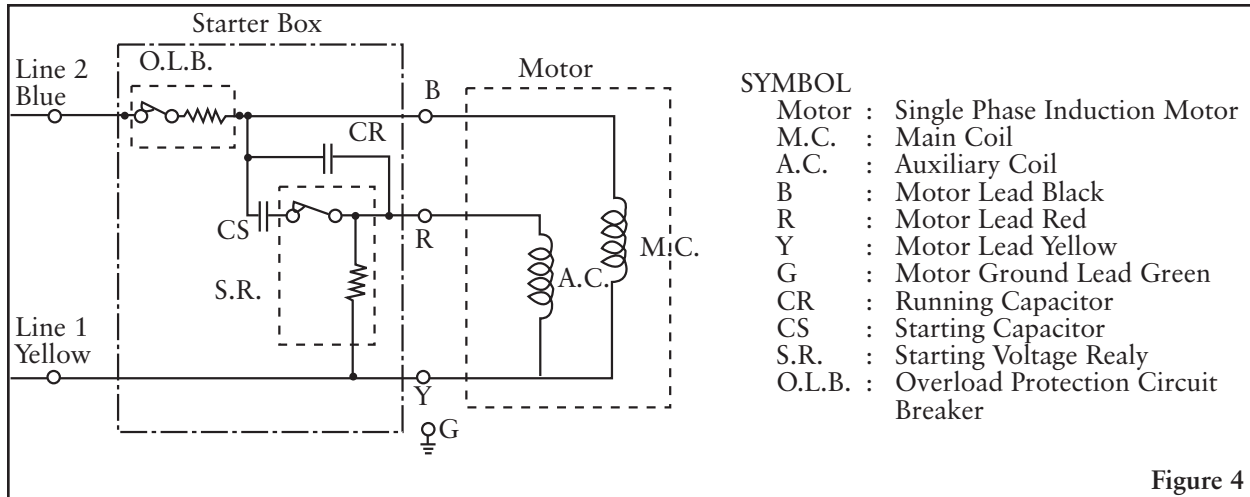


Figure 4

Table 3 — Performance Data of Single Phase Submersible Motors

6" MOTOR, 3600 RPM																	
Output (HP)		5				7½				10				15			
Voltage-Frequency		230V / 60 Hz				230V / 60 Hz				230V / 60 Hz				230V / 60 Hz			
No Load Current (A)		8.8				8.3				12.0				16.1			
No Load Loss (W)		1184				1428				1544				2050			
Load Characteristics	Load (%)	50	75	100	115	50	75	100	115	50	75	100	115	50	75	100	115
	Current (A)	14.6	18.9	24	27.5	19.5	26.7	36	41	25.5	35.5	50	58	38.1	52.7	72	85
	Efficiency (%)	66.2	72.2	74.8	74.8	67.6	72.5	72.9	71.5	67.8	73.1	73.6	72.0	70.8	74.7	73.7	71.3
	Power Factor (%)	84.0	89.0	91.2	92.0	92.5	94.5	94.9	94.3	88.9	91.8	93.2	93.5	90.2	92.7	93.2	92.4
	Slip (%)	1.5	2.2	3.0	3.6	1.8	2.9	4.2	5.5	1.7	2.8	4.1	5.2	2.1	3.3	4.9	6.2
Full Load Torque (ft•lbs)		7.53				11.42				15.23				23			
Breakdown Torque (ft•lbs)		15.5				22.0				27.4				45			
Locked Rotor Torque (ft•lbs)		12.5				18.3				21.3				34			
Locked Rotor Current (A)		124				167				202				275			
Locked Rotor Code (KVA)		G				F				E				D			
Rated Input (W)		4987				7675				10135				15180			
Current at SF 1.15 (A)		27.5				41				58				85			
Input at SF 1.15 (W)		5735				8950				11830				18050			
Specifications of Running Capacitor		440 VAC 30µFD				440 VAC 40µFD				440 VAC 50µFD				440 VAC 70µFD			
Specifications of Starting Capacitor		330 VAC 200µFD				330 VAC 250µFD				370 VAC 350µFD				370 VAC 450µFD			

Table 4 — 6" - 10" Three Phase Motors, 200, 230, 460 and 575 Volt

Motor Order No.	HP	kW	Volts	Motor Dia. vs Flange Dia.	S.F.	Rated Input		Service Factor		L.R. Amps	
						Amps	Watts	Amps	Watts		
6M058	5	3.7	200	6" x 6"	1.15	17.5	4910	19.5	5610	124	
6M052	5	3.7	230			15.0	4857	17.0	5520	110	
6M054	5	3.7	460			7.5	4857	8.5	5520	55	
6M078	7.5	5.5	200			25.4	7180	28.5	8230	158	
6M072	7.5	5.5	230			22.0	7127	26.0	8140	144	
6M074	7.5	5.5	460			11.0	7127	13.0	8140	72	
6M108	10	7.5	200			33.3	9360	37.2	10700	236	
6M102	10	7.5	230			29.0	9407	33.0	10730	208	
6M104	10	7.5	460			14.5	9407	16.5	10730	104	
6M158	15	11	200			47.4	13700	53.5	15710	347	
6M152	15	11	230			42.0	13700	46.0	15800	320	
6M154	15	11	460			21.0	13700	23.0	15800	160	
6M208	20	15	200			61.2	18040	69.5	20820	431	
6M202	20	15	230			54.0	17930	60.0	20650	392	
6M204	20	15	460			27.0	17930	30.0	20650	196	
6M258	25	18.5	200			77.3	22740	87.5	26190	578	
6M252	25	18.5	230			68.0	22470	76.0	25800	530	
6M254	25	18.5	460			34.0	22470	37.0	25800	265	
6M308	30	22	200			91.8	27000	104.0	31120	674	
6M302	30	22	230			82.0	27130	94.0	31160	610	
6M304	30	22	460			41.0	27130	47.0	31160	305	
6M404	40	30				53.0	35530	60.0	41100	340	
66M504	50	37				70.0	45210	79.0	52380	465	
86M504	50	37				8" x 6"	65.0	44360	73.0	51000	435
86M604	60	45					80.0	52850	90.0	60900	510
8M754	75	55				8" x 8"	96.0	65900	109.0	76100	650
8M1004	100	75					127.0	87600	145.0	101300	795
8M1254	125	90					160.0	110800	180.0	126000	980
8M1504	150	110		195.0	130700		220.0	152000	1060		
10M2004	200	150		10" x 10"	235.0	171100	270.0	198600	1260		

5-30 HP, 3 Phase 230 and 460 Motors have adjustable voltage feature, change voltage plugs to convert from 230V to 460V operation. Spare Change Plug Order No's are: PLUG-230V or PLUG-460V.

**Table 5 — 6" - 10" Three Phase Resistance, KVA, Efficiency, Fuses**

Motor Order No.	HP	kW	Volts	Phase	F.L. Efficiency %	KVA Code	Line - Line Resistance	Time Delay Fuse	
								Standard	Dual Ele.
6M058	5	3.7	200	3	75.9	K	0.618	50	25
6M052	5	3.7	230		76.8	K	0.806	45	20
6M054	5	3.7	460		76.8	K	3.050	25	10
6M078	7.5	5.5	200		77.9	J	0.504	80	40
6M072	7.5	5.5	230		78.5	J	0.651	70	30
6M074	7.5	5.5	460		78.5	J	2.430	35	15
6M108	10	7.5	200		79.7	K	0.315	100	50
6M102	10	7.5	230		79.3	K	0.448	90	40
6M104	10	7.5	460		79.3	K	1.619	45	20
6M158	15	11	200		81.7	K	0.213	175	70
6M152	15	11	230		81.7	K	0.312	150	60
6M154	15	11	460		81.7	K	1.074	70	30
6M208	20	15	200		82.7	J	0.189	200	90
6M202	20	15	230		83.2	J	0.258	175	70
6M204	20	15	460		83.2	J	0.861	90	35
6M258	25	18.5	200		82.0	K	0.146	250	110
6M252	25	18.5	230		83.0	K	0.210	225	90
6M254	25	18.5	460		83.0	K	0.666	110	45
6M308	30	22	200		82.9	J	0.119	300	125
6M302	30	22	230		82.5	K	0.166	250	100
6M304	30	22	460		82.5	K	0.554	125	50
6M404	40	30			84.0	H	0.446	175	70
66M504	50	37			82.5	J	0.388	225	90
86M504	50	37			84.1	H	0.331	200	90
86M604	60	45			84.7	H	0.278	250	110
8M754	75	55			84.9	H	0.218	300	125
8M1004	100	75			85.2	H	0.164	400	175
8M1254	125	90			84.2	G	0.132	500	225
8M1504	150	110			85.6	G	0.115	600	250
10M2004	200	150			87.2	F	0.0929	800	350

# VII. Three Phase 75° C Cable, 60 HZ

Table 6 — Three Phase 75° C Cable, 60 Hz (Service Entrance to Motor) Maximum Length in Feet

Motor Rating		75° C Insulation - AWG Copper Wire Size														
Volts	HP	14	12	10	8	6	4	2	1	1/0	2/0	3/0	4/0	250	350	500
230V 60 Hz. Single Phase	5	0	100	170	260	430	680	1060	1330	1660	2070	2560	3190			
	7.5	0	0	120	200	310	490	760	940	1150	1420	1740	2120			
	10	0	0	0	140	220	340	520	660	810	1020	1250	1540			
	15	0	0	0	0	140	230	370	450	560	700	870	1080			
230V 60 Hz. Three Phase 3 Lead	5	140	230	370	590	920	1430	2190	2690	3290	4030	4850	5870	6650	8460	
	7.5	0	150	250	410	640	1010	1540	1900	2310	2840	3400	4120	4660	5910	7440
	10	0	0	180	300	470	740	1140	1410	1720	2110	2550	3090	3510	4500	5710
	15	0	0	0	200	320	510	790	970	1180	1450	1760	2120	2410	3080	3900
	20	0	0	0	150	240	390	600	750	920	1130	1370	1670	1900	2440	3100
	25	0	0	0	0	190	310	490	600	730	900	1100	1330	1510	1950	2480
	30	0	0	0	0	0	250	390	490	590	730	890	1080	1230	1580	2030
460V 60 Hz. Three Phase 3 Lead	5	590	950	1500	2360	3700	5750									
	7.5	410	670	1060	1670	2610	4060	6200	7610							
	10	300	480	770	1220	1910	2980	4580	5630	6900						
	15	0	330	530	840	1320	2070	3160	3890	4760	5840	7040				
	20	0	0	400	640	1020	1600	2460	3020	3710	4560	5500				
	25	0	0	320	520	810	1280	1960	2410	2960	3640	4400	5350			
	30	0	0	0	410	650	1030	1570	1950	2390	2940	3560	4330	4940		
	40	0	0	0	320	500	790	1220	1500	1840	2270	2730	3320	3760		
	50	0	0	0	0	390	610	940	1170	1430	1750	2110	2560	2910	3700	4690
	60	0	0	0	0	0	540	830	1020	1250	1540	1860	2250	2550	3260	4120
	75	0	0	0	0	0	430	660	820	1000	1230	1480	1810	2050	2640	3360
	100	0	0	0	0	0	0	490	610	750	930	1120	1360	1540	1990	2520
	125	0	0	0	0	0	0	0	0	620	770	920	1040	1270	1620	2040
	150	0	0	0	0	0	0	0	0	0	620	750	910	1040	1330	1680
200	0	0	0	0	0	0	0	0	0	0	610	740	840	1070	1370	

Lengths NOT SHADED meet the U.S. National Electrical Code ampacity for either individual conductors or jacketed 75° C cable.

Lengths SHADED meet the National Electric Code ampacity only for individual conductor 75° C cable, in free air or water. If other cable is used, the National Electric Code as well as the local codes should be observed.

## VIII. Troubleshooting of Submersible Motors

1. Motor does not start but does not blow fuses or relay.
  - No Power Supply → Replace fuses, breakers or check for loose or corroded connections and motor lead terminals.
  - Defective Connections → Correct connections.
2. Fuses or relay blow when motor starts.
  - Incorrect Voltage → Apply correct voltage.  
Voltage must be  $\pm 10\%$  of rated (Nameplate).
  - Incorrect Fuses or Relay → Replace with proper fuses and relay.
  - Defective Capacitors → Replace with proper capacitors.
  - Wrong Connections → Correct wrong connections or short circuit.
  - Locked Rotor Conditions → Correct pump or well conditions.
  - Insulation Resistance Down → Check the line and correct.
3. Motor runs for a while and then blows fuses or relay.
  - Low Voltage or High Voltage → Apply rated voltage.
  - Defective Capacitors → Replace with proper capacitors.
  - Different Control Box for the Motor → Replace with proper control box.
  - Defective Starting Voltage Relay → Replace with proper relay.
  - Pump is Sand Clogged → Pull pump and clean well.
  - Overheated Protector → Shield the control box from heat source.

The following conditions are stated to provide the owner with a list of criteria for maximum motor life and to assure motor warranty.

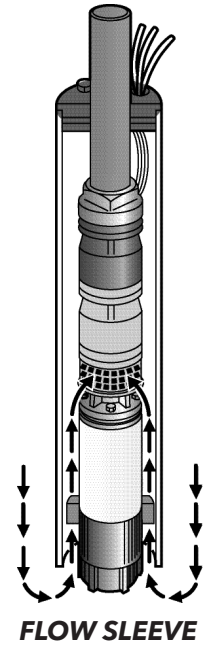
# X. Motor Cooling, Temperature Ratings

Six (6) inch cased design motors from 5 – 40 HP will operate in water up to 95° F (35° C), without any de-rating of horsepower, with a minimum flow rate of .5 ft./sec. past the motor. 6" – 50 HP and all 8" – 10" motors can operate in 77° F (25° C) water with .5'/sec velocity past the motor.

## Minimum Flow Rates For Proper Motor Cooling

Well or Sleeve Diameter (inches)	CP = 5.5" Dia. 6" CP Motor .5'/sec.	FE = 5.38" Dia. 6" FE Motor .5'/sec.	CP = 7.52" Dia. 8" CP Motor .5'/sec.
	GPM Required		
6	7	9	–
7	23	25	–
8	41	45	9
10	85	90	53
12	139	140	107
14	198	200	170
16	276	280	313

Multiply gpm by .2271 for m<sup>3</sup>/Hr.  
 Multiply gpm by 3.785 for l/min.



### CENTRIPRO LIMITED WARRANTY

This warranty applies to CentriPro 6"-10" motors shown in this manual.

Any part or parts found to be defective within the warranty period shall be replaced at no charge to the dealer during the warranty period. The warranty period shall exist for a period of twelve (12) months from date of installation or eighteen (18) months from date of manufacture, whichever period is shorter.

A dealer who believes that a warranty claim exists must contact the authorized CentriPro distributor from whom the motor and control was purchased and furnish complete details regarding the claim. The distributor is authorized to adjust any warranty claims utilizing the Customer Service Department.

**The warranty excludes:**

- (a) Labor, transportation and related costs incurred by the dealer;
- (b) Reinstallation costs of repaired equipment;
- (c) Reinstallation costs of replacement equipment;
- (d) Consequential damages of any kind; and,
- (e) Reimbursement for loss caused by interruption of service.

**For purposes of this warranty, the following terms have these definitions:**

- (1) "Distributor" means any individual, partnership, corporation, association, or other legal relationship that stands between CentriPro and the dealer in purchases, consignments or contracts for sale of the subject motors and controls.
- (2) "Dealer" means any individual, partnership, corporation, association, or other legal relationship which engages in the business of selling or leasing motors and controls to customers.
- (3) "Customer" means any entity who buys or leases the subject motors and controls from a dealer. The "customer" may mean an individual, partnership, corporation, limited liability company, association or other legal entity which may engage in any type of business.

**THIS WARRANTY EXTENDS TO THE DEALER ONLY.**



Xylem, Inc.  
2881 East Bayard Street Ext., Suite A  
Seneca Falls, NY 13148  
Phone: (866) 325-4210  
Fax: (888) 322-5877  
[www.xylem.com/brands/centripro](http://www.xylem.com/brands/centripro)

CentriPro is a trademark of Xylem Inc. or one of its subsidiaries.  
© 2012 Xylem, Inc. IM180 Revision Number 3 July 2012





# Motores estándar y de doble voltaje

INSTRUCCIONES DE INSTALACIÓN, OPERACIÓN Y MANTENIMIENTO



**CentriPro**  
a xylem brand



## Índice

Instrucciones de seguridad .....	18
Manipulación e instalación .....	19
Directrices para el desempeño del motor sumergible en su uso en controladores de frecuencia variable .....	20
Pre-instalación .....	21
Mantenimiento .....	22
Operación .....	22
Figuras 1, 2 y 3; Tablas 1 y 2 .....	23
Figura 4; Tabla 3 .....	24
Tabla 4 & 5 - Datos del motor trifásico .....	25 & 26
Tablas 6 - Cable trifásico de 75°C, 60 Hz .....	27
Localización de Falla de los Motores Sumergibles .....	28
Refrigeración del motor, calificaciones de temperatura .....	29
Garantía limitada .....	30

## Información para el propietario

Termine esta información para sus expedientes.  
El número y el número de serie de modelo se pueden encontrar en la etiqueta montada a la cubierta de la bomba.

Número de modelo de la bomba: \_\_\_\_\_

Número de serie de la bomba: \_\_\_\_\_

Número de modelo de control: \_\_\_\_\_

Representante: \_\_\_\_\_

Nº telefónico del representante: \_\_\_\_\_

Fecha de compra: \_\_\_\_\_

Fecha de Instalación: \_\_\_\_\_

Lecturas actuales al momento del arranque:

1 Ø	3 Ø	L1-2	L2-3	L3-1
Amperes: _____	Amperes: _____			
Voltios: _____	Voltios: _____	_____	_____	_____
_____		_____	_____	_____

# I. Instrucciones de Seguridad

**PARA EVITAR LESIONES PERSONALES GRAVES O FATALES, Y DAÑOS SIGNIFICATIVOS A LA PROPIEDAD, LEA Y SIGA TODAS LAS INSTRUCCIONES DE SEGURIDAD QUE SE ENCUENTRAN EN ESTE MANUAL O EN LA BOMBA.**

**ESTE MANUAL TIENE LA FUNCIÓN DE ASISTIRLO EN LA INSTALACIÓN Y OPERACIÓN DE ESTA UNIDAD Y DEBE CONSERVARSE CON LA BOMBA.**



Este es un **SÍMBOLO DE ALERTA DE SEGURIDAD**. Cuando vea este símbolo sobre la bomba o en el manual, busque una de las siguientes palabras de señalización y esté alerta a las posibles lesiones personales o daños a la propiedad que puedan ocurrir.



Advierte sobre los peligros que **PROVOCARÁN** lesiones graves, muerte o daños significativos a la propiedad.



Advierte sobre los peligros que **PUEDEN PROVOCAR** lesiones graves, muerte o daños significativos a la propiedad.




Advierte sobre los peligros que **PUEDEN PROVOCAR** lesiones o daños a la propiedad.

**AVISO: INDICA QUE EXISTEN INSTRUCCIONES ESPECIALES MUY IMPORTANTES QUE DEBEN RESPETARSE.**

**EXAMINE COMPLETAMENTE TODAS LAS INSTRUCCIONES Y ADVERTENCIAS ANTES DE REALIZAR CUALQUIER TRABAJO EN ESTA BOMBA.**

**CONSERVE TODAS LAS CALCOMANÍAS.**

## II. Manipulación e Instalación

1. No utilice hilos conductores para sacar, levantar o manipular el motor. Los hilos conductores deberán permanecer protegidos durante el almacenamiento, manipuleo, desplazamiento e instalación del motor.
2. Examine el motor para establecer que sea del voltaje, tamaño y HP correctos para la tarea que lo necesite y que no se hayan producido daños durante el traslado.
3. El agua del motor instalada de fábrica es provista de anticongelante capaz de evitar que las temperaturas descendan a  $-30\text{ }^{\circ}\text{C}$  ( $-22\text{ }^{\circ}\text{F}$ ). No instale, transporte o almacene a temperaturas más bajas de éstas. Si necesitara almacenar por debajo de las temperaturas antes mencionadas, drene el agua del motor.
4. Después de períodos prolongados de inactividad en todas las instalaciones nuevas, controle la resistencia eléctrica y mida la resistencia del motor con cables conductores conectados. La resistencia de aislamiento debe tener un valor de al menos 5 megohmios en el momento de la instalación y al menos 1 megohmio después de estar en funcionamiento.
5. Verifique que el motor esté lleno con agua limpia antes de instalarlo. Si esto no se realiza, la garantía no tiene validez. También controle la hermeticidad de todas las cargas de agua y los tapones de drenaje, pernos de montaje y conexiones.
6. No golpee el eje, el acoplamiento o el salpicador ya que esto puede dañar el cojinete de tracción. Controle la rotación del motor manualmente para asegurarse que gire libremente.
7. No deje caer el extremo inferior del motor en la suciedad o el lodo ya que esto puede tapan la abertura del diafragma.
8. Si el motor se instalara de manera horizontal, asegúrese que los hilos conductores se encuentren en la posición horaria de las 12 en punto cuando enfrenten el eje del motor (en posición horizontal).
9. Antes de la instalación, verifique que el voltaje del motor sea el correcto. (Si no es así, consulte el paso 12 a continuación; CAMBIO DE VOLTAJE DEL MOTOR.)
10. Controle que la resistencia de la bobina enrollada en cada fase equivalga a los valores que aparecen en la Tabla 2 o 4.
11. Seleccione el relé de sobrecarga o calentadores correctos de acuerdo con la Tabla 3 o 6.
12. CAMBIO DE VOLTAJE DEL MOTOR  
El voltaje del motor puede cambiarse de 460V a 230V o de 230V a 460V cambiando la clavija de conexión de voltaje de la siguiente manera:
  - A. Quite la etiqueta de voltaje existente de la clavija de conexión de voltaje.
  - B. Quite los dos tornillos Allen de  $5/32$ " y tire con cuidado de la conexión de voltaje hacia arriba y hacia afuera usando dos destornilladores como se muestra en la Figura 1.
  - C. Controle que la nueva clavija de conexión no se encuentre dañada y que sea del voltaje correcto.
  - D. Verifique que la clavija de conexión y el tomacorriente en el cárter del motor estén limpios y secos.
  - E. Cubra la superficie de sellado de la clavija de conexión de voltaje con Dow Corning 732-3 como se muestra en la Figura 2.
  - F. Inserte la nueva clavija de conexión de voltaje como se muestra en la Figura 3. Fíjese que la parte superior de los números se encuentren hacia el eje y la parte inferior se encuentre cerca del lado exterior del motor.
  - G. Asegure la nueva clavija de conexión de voltaje dentro del motor con los dos tornillos Allen. Ajuste los tornillos hasta que la porción exterior de acero inoxidable de la clavija se ponga en contacto con el cárter del motor.
  - H. Adhiera una etiqueta de voltaje nueva, proporcionada con la nueva clavija, sobre la misma. La segunda etiqueta es para adherirla en el panel de control del motor o en el arrancador.
13.  **PRECAUCIÓN** Verifique siempre que el voltaje de la clavija de conexión instalada en el motor sea del voltaje correcto aunque no realice ningún cambio. La instalación de una clavija de conexión del voltaje incorrecto, anula todas las garantías.

## III. Directrices para el desempeño del motor sumergible en su uso en controladores de frecuencia variable

El motor CentriPro ha sido muy usado con controladores de frecuencia variable. Al igual que cualquier aplicación modificada, hay factores que se deben evaluar al usar un inversor, o Controlador de Frecuencia Variable [Variable Frequency Drive (VFD)], para operar un motor sumergible. Para asegurar una operación confiable, se deben seguir las siguientes directrices al usar el motor sumergible CentriPro de dos polos con un VFD.

1. Se debe usar en todo momento una protección contra sobrecargas adecuada, clase 10, de corte rápido. Como mínimo, las sobrecargas deben hacer saltar el interruptor cuando haya cinco veces la corriente a plena carga en un plazo de 10 segundos en cualquier fase.
2. Un mínimo de 1,5 veces la corriente a plena carga debe estar disponible para arrancar por primera vez el motor de ser necesario.
3. La frecuencia de operación es de 30 hertz
4. Velocidad mínima:  $0,5 \times$  Velocidad sincrónica (Por ejemplo:  $3600 \text{ RPM} \times 0,5 = 1800 \text{ RPM}$ )
5. Velocidad máxima:  $1,00 \times$  Velocidad a plena carga
6. Tiempo de arranque: Segundo del máximo 1 para alcanzar 30Hz, máximo 4,0 segundos para llegar a la velocidad límite y nominal
7. Tiempo de desaceleración: deben pasar cuatro (4) segundos desde la frecuencia mínima hasta la interrupción de la energía.
8. A la velocidad mínima (véase #3), se debe mantener una velocidad del agua de medio pie por segundo, a temperatura nominal, después del motor. No se recomienda una velocidad que supere los 10 pies por segundo.
9. El VFD debe mantener una tasa constante entre voltios y hertz. Los controles se deben clasificar igual que la placa de identificación del motor.
10. La corriente de salida del VFD debe tener instalado un dispositivo de filtración o acondicionamiento de línea para eliminar fenómenos de onda de tensión que pueden afectar negativamente componentes y elementos del motor. La electricidad en los conductores del motor debe ser limpia, libre de alta tensión transitoria, armónicos, y dentro del rango de tensión del motor (pico de 1000V en un tiempo de elevación de más de 0,2 microsegundos).
11. Son aplicables todos los otros requisitos y restricciones correspondientes al motor sumergible CentriPro.

Estas son directrices generales para la operación del motor sumergible bipolar CentriPro en Inversores AC incorporando dispositivos de conmutación tipo IGBT y comenzando desde rotación cero con una carga hidráulica limitada e inmediata.

## IV. Pre-Instalación

1. Temperatura máxima del agua:
  - A) 35 °C (95 °F): en motores de 6" (5 – 40 HP).
  - B) 25 °C (77 °F): en motores de 6" (50 HP), 8" y 10".
2. PH del agua entre: 6.5-8
3. Contenido máximo de Cloro: 500 PPM  
 Contenido máximo de Hierro Ácido Sulfúrico: 15 PPM  
 Contenido máximo de Flúor: 0.8 PPM  
 Máxima conductividad eléctrica: 118  $\mu$ MHO/  
 PULGADA
4. Contenido máximo de arena: 50 PPM
5. Protección aprobada de sobrecarga trifásica. Son obligatorias las sobrecargas de corte rápido Clase 10. Véase Tabla 4, 6 o 7.
6. Fusión adecuada para la protección del circuito del motor. Véase Tabla 5.
7. Línea de voltaje adecuada durante las condiciones de marcha:
  - 460V  $\pm$  10%, esto es 506 a 414 Voltios
  - 230V  $\pm$  10%, esto es 253 a 207 Voltios
 Para los 60 ciclos un sistema midió en la terminal de alambre de terminal de componente del motor. (El usuario deberá tener en cuenta la caída de voltaje del cable).  
 Combinación de voltaje y variaciones de frecuencia:  
 $\pm$ 10% (suma de los valores absolutos del voltaje y la frecuencia).  
 El desequilibrio actual entre las piernas no debe exceder del 5% de la media.
8. Correcto dimensionamiento del motor (corriente, tracción, voltaje, etc.) y una distancia de 10 pies desde la parte inferior del receptáculo, son requeridos.
9. En caso de una instalación horizontal, el motor debe ser alineado rígidamente con la bomba y montado firmemente para prevenir cualquier carga sobre el eje y los cojinetes, y evitar cualquier vibración dañina al motor. Además, ver el #8 en la Sección II.
10. El motor deberá estar siempre sumergido en agua de manera que una velocidad de circulación de agua refrigerada de un alcance de 0.5 pies por segundo corra y pase todas y cada una de las partes del motor. El motor no funcionará en arena o lodo.
11. Los cables de energía deberán estar calibrados de manera tal que sea suficiente para que a corriente de régimen se produzca una caída de voltaje de menos del 5%. Los cables deberán ser impermeables y sumergibles. Véase Tabla 8.
12. Para motores de 3 $\phi$  deberá proporcionarse una batería de transformadores adecuadamente calibrada y balanceada. Un suministro eléctrico o conexiones inadecuadas (por ejemplo: conversor de fase, transformador de conexión en V, etc.) anularán la garantía.
13. Se recomienda una protección monofásica para la instalación. Toda omisión de la protección monofásica en la entrada de voltaje del motor que cause su falla, hará nula la garantía.
14. Se recomienda la utilización de pararrayos con el objeto de proteger el panel de control y el sistema de aislamiento del motor. Toda falla producida por un rayo o cualquier otro hecho fortuito hará nula la garantía.
15. Proporcione empalmes de aislamiento impermeables entre todos los hilos conductores y los cables del receptáculo.
16. En el caso de que se utilice un arrancador de voltaje reducido para arrancar el motor, debe verificarse lo siguiente:
  - A. Que se incorporen los relé de sobrecarga de disparo rápido y compensación ambiental correctos.
  - B. Que se utilice la protección correcta contra cortocircuito.
  - C. Que este tipo de arrancador pueda lograr el torque requerido por el conjunto motor-bomba.
  - D. Que la disposición del cableado del motor sea admisible con las conexiones de carga del arrancador propuesto.

- E. Si se utiliza cualquier relé con acción de retardo en los contactores de conmutación de entrada y salida, verifique que el tiempo de configuración no sea demasiado prolongado; esto podría dañar el motor.
  - F. Si se utiliza un auto transformador de arranque manual, no espere demasiado para ponerlo en posición de “marcha” y no “fastidie” los contactos. Revise a conciencia la Tabla 4 para conocer la protección correcta.
17. Motores monofásicos (5-15 HP)  
Se necesitan conexiones, condensadores y relés adecuados para el arranque y la marcha de los motores monofásicos.  
Diagrama de conexión: véase Figura 1.  
Véase capacitores recomendados en la Tabla 3 y cajas de control recomendadas en la Tabla 1.
18. No exponga los distribuidores del motor al aire libre. Deben estar sumergidos para mantenerse refrigerados.

## V. Mantenimiento

Ningún cojinete necesita aceite o grasa. El motor al cual no pueda accederse, se lo deberá monitorear a través de sus conexiones eléctricas.

1. Mida y registre la corriente y el voltaje de servicio.
2. Mida y registre la resistencia de aislamiento del motor. Toda resistencia de menos de 50 megohmios (5.000.000) para un motor nuevo, deberá ser evaluada o controlada con anterioridad por un comercio de servicio calificado.
3. Los pararrayos y/o condensadores de sobrevoltaje ayudarán a prevenir daños en la caja de control, los cables y el motor.
4. La protección monofásica ayudará a evitar fallas del motor debido a entradas de energía adversas.
5. Basado en los valores obtenidos en las mediciones de 1 y 2 y en la presión y el caudal de salida de la bomba, se puede obtener un panorama completo del rendimiento total de la misma. Esto puede ser utilizado para definir cualquier mantenimiento y servicio que la bomba y el motor pudieran necesitar.
6. Si el motor fuera a almacenarse, proteja la unidad de congelamiento ubicándolo en un área con una temperatura mayor a  $-30\text{ }^{\circ}\text{C}$  ( $-22\text{ }^{\circ}\text{F}$ ).

## VI. Operación

1. Luego de proporcionar energía al motor, controle el caudal y la presión de la bomba para asegurarse que el motor esté rotando en la dirección correcta. Para corregir una rotación errónea, cambie dos cables cualesquiera de los tres cables de conexión. (Sólo en motores trifásicos.)
2. Cuando arranque la bomba por primera vez, controle que el agua no contenga arena. Si la tuviera, continúe bombeando hasta que el agua salga limpia; caso contrario, la arena se irá acumulando durante las etapas de la bomba y hará que se traben o paralicen las partes móviles, si se permite que el agua vuelva al receptáculo.
3. Durante la prueba o el control de la rotación (tal como “sacudidas” o “avances lentos”) el número de “arranques” deberá limitarse a 3, seguidos de un período de 15 minutos completos de enfriamiento antes de intentar otros “arranques”. Dependiendo de la profundidad del receptáculo y/o método de control, estos controles o “arranques” rotacionales pueden ser en realidad arranques completos. Si fuera este el caso, entonces será necesario un período de 15 minutos completos de enfriamiento entre este tipo de arranques.
4. Para una operación automática (dispositivo piloto), deberá permitirse que el motor se enfríe durante 15 minutos entre arranques.
5. Los valores del voltaje de entrada, la corriente y la resistencia de aislamiento deberán ser registrados a lo largo de la vida de la instalación y deberán ser utilizados como una forma de mantenimiento preventivo.



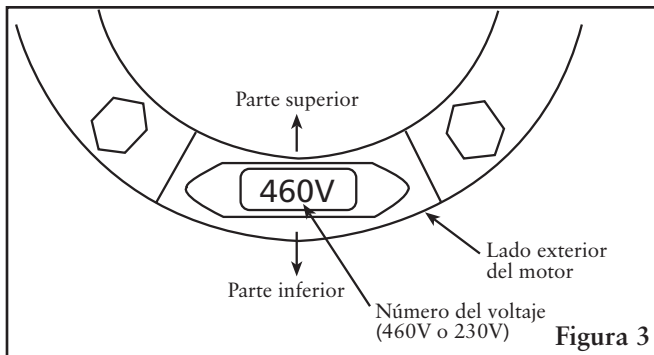
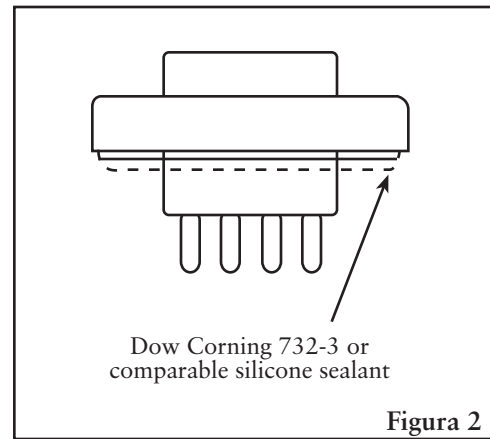
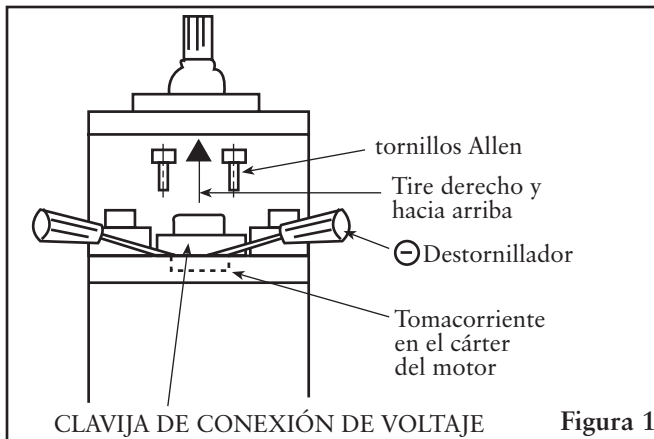


Tabla 1 — Motores monofásicos de 6" y cajas de control requeridas

No. de pedido del motor	HP	kW	Voltios	Diámetro del motor v. d. de la brida	S.F.	Entrada nominal		Factor de servicio		Amps L.R.	No. de pedido de caja de control
						Amps	Watts	Amps	Watts		
6M051	5	3.7	230	6" x 6"	1.15	24	4987	27.5	5735	124	CB05MC
6M071	7.5	5.5				36	7675	41	8950	167	CB07MC
6M101	10	7.5				50	10135	58	11830	202	CB10MC
6M151	15	11				72	15180	85	18050	275	CB15MC

Tabla 2 — Resistencia monofásica de 6", KVA, rendimiento

No. de pedido del motor	HP	kW	Voltios	Fase	% de rendimiento E.L.	Código KVA	Resistencia – Ohms		
							R - Y	B - Y	R - B
6M051	5	3.7	230	1	74.8	G	2.172	0.512	2.627
6M071	7.5	5.5			72.9	F	1.401	0.400	1.774
6M101	10	7.5			73.6	E	1.052	0.316	1.310
6M151	15	11			73.7	D	0.678	0.230	0.850

## Diagrama de Conexión para Motores Monofásicos

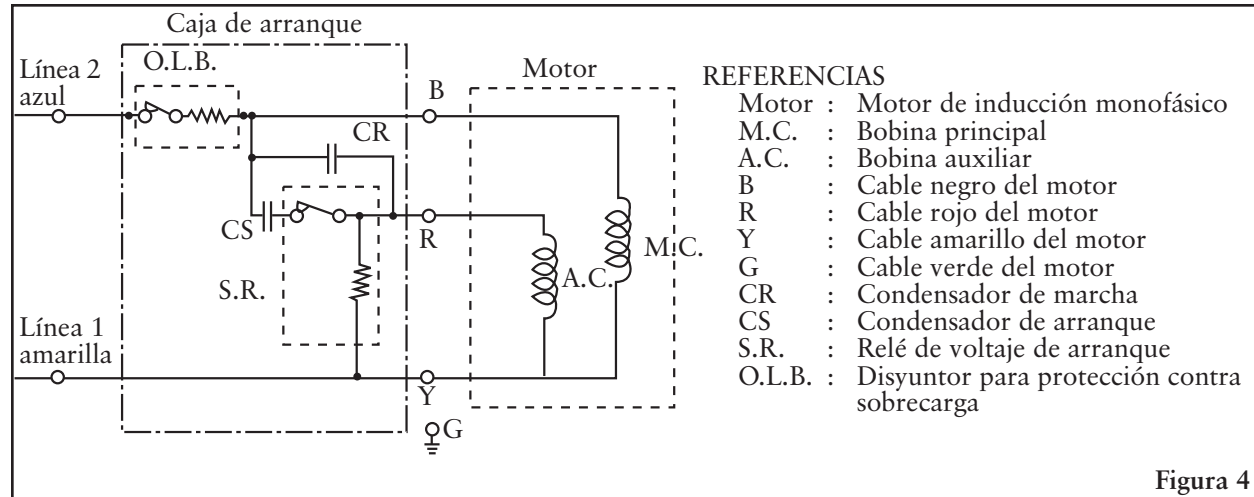


Figura 4

### Tabla 3 — Datos del Rendimiento de los Motores Sumergibles Monofásicos

MOTOR DE 6", 3600 RPM																	
Salida (HP)		5				7½				10				15			
Frecuencia de voltaje		230V / 60 Hz				230V / 60 Hz				230V / 60 Hz				230V / 60 Hz			
Corriente sin carga (A)		8.8				8.3				12.0				16.1			
Pérdida sin carga (W)		1184				1428				1544				2050			
Características de la carga	Carga (%)	50	75	100	115	50	75	100	115	50	75	100	115	50	75	100	115
	Corriente (A)	14.6	18.9	24	27.5	19.5	26.7	36	41	25.5	35.5	50	58	38.1	52.7	72	85
	Rendimiento (%)	66.2	72.2	74.8	74.8	67.6	72.5	72.9	71.5	67.8	73.1	73.6	72.0	70.8	74.7	73.7	71.3
	Factor de potencia (%)	84.0	89.0	91.2	92.0	92.5	94.5	94.9	94.3	88.9	91.8	93.2	93.5	90.2	92.7	93.2	92.4
	Deslizamiento (%)	1.5	2.2	3.0	3.6	1.8	2.9	4.2	5.5	1.7	2.8	4.1	5.2	2.1	3.3	4.9	6.2
Torque de carga completa (pies•libras)		7.53				11.42				15.23				23			
Torque de ruptura (pies•libras)		15.5				22.0				27.4				45			
Par inicial de arranque (pies•libras)		12.5				18.3				21.3				34			
Corriente con rotor enclavado (A)		124				167				202				275			
Código de rotor enclavado (KVA)		G				F				E				D			
Entrada nominal (W)		4987				7675				10135				15180			
Corriente en SF 1.15 (A)		27.5				41				58				85			
Entrada en SF 1.15 (W)		5735				8950				11830				18050			
Especificaciones del condensador de marcha		440 VAC 30µFD				440 VAC 40µFD				440 VAC 50µFD				440 VAC 70µFD			
Especificaciones del condensador de arranque		330 VAC 200µFD				330 VAC 250µFD				370 VAC 350µFD				370 VAC 450µFD			

Tabla 4 — Motores trifásicos de 6" - 10", 200, 230, 460 y 575 Voltios

No. de pedido del motor	HP	kW	Voltios	Diámetro del motor v. d. de la brida	S.F.	Entrada nominal		Factor de servicio		Amps L.R.	
						Amps	Watts	Amps	Watts		
6M058	5	3.7	200	6" x 6"	1.15	17.5	4910	19.5	5610	124	
6M052	5	3.7	230			15.0	4857	17.0	5520	110	
6M054	5	3.7	460			7.5	4857	8.5	5520	55	
6M078	7.5	5.5	200			25.4	7180	28.5	8230	158	
6M072	7.5	5.5	230			22.0	7127	26.0	8140	144	
6M074	7.5	5.5	460			11.0	7127	13.0	8140	72	
6M108	10	7.5	200			33.3	9360	37.2	10700	236	
6M102	10	7.5	230			29.0	9407	33.0	10730	208	
6M104	10	7.5	460			14.5	9407	16.5	10730	104	
6M158	15	11	200			47.4	13700	53.5	15710	347	
6M152	15	11	230			42.0	13700	46.0	15800	320	
6M154	15	11	460			21.0	13700	23.0	15800	160	
6M208	20	15	200			61.2	18040	69.5	20820	431	
6M202	20	15	230			54.0	17930	60.0	20650	392	
6M204	20	15	460			27.0	17930	30.0	20650	196	
6M258	25	18.5	200			77.3	22740	87.5	26190	578	
6M252	25	18.5	230			68.0	22470	76.0	25800	530	
6M254	25	18.5	460			34.0	22470	37.0	25800	265	
6M308	30	22	200			91.8	27000	104.0	31120	674	
6M302	30	22	230			82.0	27130	94.0	31160	610	
6M304	30	22	460			41.0	27130	47.0	31160	305	
6M404	40	30				8" x 6"	53.0	35530	60.0	41100	340
66M504	50	37					70.0	45210	79.0	52380	465
86M504	50	37				65.0	44360	73.0	51000	435	
86M604	60	45				8" x 8"	80.0	52850	90.0	60900	510
8M754	75	55					96.0	65900	109.0	76100	650
8M1004	100	75					127.0	87600	145.0	101300	795
8M1254	125	90					160.0	110800	180.0	126000	980
8M1504	150	110		195.0	130700	220.0	152000	1060			
10M2004	200	150		10" x 10"	235.0	171100	270.0	198600	1260		

Los motores 5-30 HP, de 3 fases 230 y 460 tienen una función de voltaje ajustable, cambie las conexiones de voltaje para pasar de 230V a 460V. Los números de pedido de enchufes de cambio de repuesto son: PLUG-230V o PLUG-460V.

Tabla 5 — Resistencia trifásica de 6" - 10", KVA, rendimiento, fusibles

No. de pedido del motor	HP	kW	Voltios	Fase	% de rendimiento F.L.	Código KVA	Línea- Resistencia de línea	Fusible con temporizador	
								Estándar	Electricidad dual
6M058	5	3.7	200	3	75.9	K	0.618	50	25
6M052	5	3.7	230		76.8	K	0.806	45	20
6M054	5	3.7	460		76.8	K	3.050	25	10
6M078	7.5	5.5	200		77.9	J	0.504	80	40
6M072	7.5	5.5	230		78.5	J	0.651	70	30
6M074	7.5	5.5	460		78.5	J	2.430	35	15
6M108	10	7.5	200		79.7	K	0.315	100	50
6M102	10	7.5	230		79.3	K	0.448	90	40
6M104	10	7.5	460		79.3	K	1.619	45	20
6M158	15	11	200		81.7	K	0.213	175	70
6M152	15	11	230		81.7	K	0.312	150	60
6M154	15	11	460		81.7	K	1.074	70	30
6M208	20	15	200		82.7	J	0.189	200	90
6M202	20	15	230		83.2	J	0.258	175	70
6M204	20	15	460		83.2	J	0.861	90	35
6M258	25	18.5	200		82.0	K	0.146	250	110
6M252	25	18.5	230		83.0	K	0.210	225	90
6M254	25	18.5	460		83.0	K	0.666	110	45
6M308	30	22	200		82.9	J	0.119	300	125
6M302	30	22	230		82.5	K	0.166	250	100
6M304	30	22	460		82.5	K	0.554	125	50
6M404	40	30			84.0	H	0.446	175	70
66M504	50	37			82.5	J	0.388	225	90
86M504	50	37			84.1	H	0.331	200	90
86M604	60	45			84.7	H	0.278	250	110
8M754	75	55			84.9	H	0.218	300	125
8M1004	100	75			85.2	H	0.164	400	175
8M1254	125	90			84.2	G	0.132	500	225
8M1504	150	110			85.6	G	0.115	600	250
10M2004	200	150			87.2	F	0.0929	800	350

# VII. Cable de 75° C Trifásico, 60 HZ

Tabla 6 — Cable de 75° C Trifásico, 60 Hz (Servicio de Entrada al Motor) Maxima Longitud en pies

Potencia del Motor		Aislamiento de 75 °C – Calibre del Cable de Cobre AWG														
Voltios	HP	14	12	10	8	6	4	2	1	1/0	2/0	3/0	4/0	250	350	500
Monofásico 230 V 60 Hz	5	0	100	170	260	430	680	1060	1330	1660	2070	2560	3190			
	7.5	0	0	120	200	310	490	760	940	1150	1420	1740	2120			
	10	0	0	0	140	220	340	520	660	810	1020	1250	1540			
	15	0	0	0	0	140	230	370	450	560	700	870	1080			
Conductor 3 Trifásico 230 V 60 Hz.	5	140	230	370	590	920	1430	2190	2690	3290	4030	4850	5870	6650	8460	
	7.5	0	150	250	410	640	1010	1540	1900	2310	2840	3400	4120	4660	5910	7440
	10	0	0	180	300	470	740	1140	1410	1720	2110	2550	3090	3510	4500	5710
	15	0	0	0	200	320	510	790	970	1180	1450	1760	2120	2410	3080	3900
	20	0	0	0	150	240	390	600	750	920	1130	1370	1670	1900	2440	3100
	25	0	0	0	0	190	310	490	600	730	900	1100	1330	1510	1950	2480
	30	0	0	0	0	0	250	390	490	590	730	890	1080	1230	1580	2030
Conductor 3 Trifásico 460 V 60 Hz.	5	590	950	1500	2360	3700	5750									
	7.5	410	670	1060	1670	2610	4060	6200	7610							
	10	300	480	770	1220	1910	2980	4580	5630	6900						
	15	0	330	530	840	1320	2070	3160	3890	4760	5840	7040				
	20	0	0	400	640	1020	1600	2460	3020	3710	4560	5500				
	25	0	0	320	520	810	1280	1960	2410	2960	3640	4400	5350			
	30	0	0	0	410	650	1030	1570	1950	2390	2940	3560	4330	4940		
	40	0	0	0	320	500	790	1220	1500	1840	2270	2730	3320	3760		
	50	0	0	0	0	390	610	940	1170	1430	1750	2110	2560	2910	3700	4690
	60	0	0	0	0	0	540	830	1020	1250	1540	1860	2250	2550	3260	4120
	75	0	0	0	0	0	430	660	820	1000	1230	1480	1810	2050	2640	3360
	100	0	0	0	0	0	0	490	610	750	930	1120	1360	1540	1990	2520
	125	0	0	0	0	0	0	0	0	620	770	920	1040	1270	1620	2040
150	0	0	0	0	0	0	0	0	0	620	750	910	1040	1330	1680	
200	0	0	0	0	0	0	0	0	0	0	610	740	840	1070	1370	

Las longitudes QUE NO ESTÁN EN NEGRITA cumplen con la capacidad de corriente del U.S. National Electrical Code (Código Eléctrico Nacional de los EE. UU.) tanto para los conductores individuales como para los cables encamisados de 75 °C.

Las longitudes EN NEGRITA cumplen con la capacidad de corriente del National Electric Code sólo para cables de 75 °C conductor individual, en aire libre o agua. Si se utiliza otro cable, deberán observarse tanto el National Electric Code como los códigos locales.

## VIII. Localización de Falla de los Motores Sumergibles

1. El motor no arranca pero los fusibles o el relé no se disparan.
  - No hay suministro de energía → Reemplace los fusibles o disyuntores; o controle que no haya conexiones y terminales de conductores flojos o corroídos.
  - Conexiones defectuosas → Corrija las conexiones.
  
2. Los fusibles o el relé se disparan cuando el motor arranca.
  - Voltaje incorrecto → Aplique el voltaje correcto. El voltaje debe ser  $\pm 10\%$  del nominal (Placa de identificación).
  - Fusibles o relé incorrectos → Reemplace por los fusibles o relé correctos.
  - Condensadores defectuosos → Reemplace por los condensadores correctos.
  - Conexiones equivocadas → Corrija las conexiones equivocadas o cortocircuitadas.
  - Condiciones de rotor enclavado → Corrija las condiciones de la bomba o del receptáculo.
  - Resistencia de aislamiento baja → Controle la línea y corrija.
  
3. El motor marcha por un momento y luego se disparan los fusibles o el relé.
  - Alto voltaje o bajo voltaje → Aplique voltaje nominal.
  - Condensadores defectuosos → Reemplace por los condensadores apropiados.
  - Caja de control distinta para el motor → Reemplace por la caja de control apropiada.
  - Relé de voltaje de arranque defectuoso → Reemplace por el relé apropiado.
  - La bomba está atascada con arena → Quite la bomba y limpie el receptáculo.
  - Protector sobrecalentado → Proteja la caja de control de la fuente de calor.

Se establecen las siguientes condiciones para proporcionar al propietario una lista de criterios para la vida máxima del motor y para asegurar la garantía del motor.

## X. Refrigeración del motor, calificaciones de temperatura

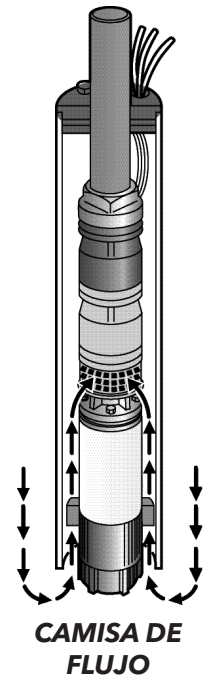
Los motores de diseño encapsulado de seis (6) pulgadas de 5 – 40 HP operarán en agua hasta 95°F (35°C), sin disminución potencia en caballos de fuerza, con un índice de flujo mínimo de 5 pies/seg. después del motor. Los motores de 6" – 50 HP y todos los motores de 8" – 10" pueden operar en agua a 77° F (25° C) con una velocidad de 0,5'/seg. después del motor.

### Índices de flujo mínimos para un enfriamiento correcto del motor

Diámetro del pozo o eje (en pulgadas)	CP = 5,5" de diámetro Motor CP de 6" 0,5'/seg.	FE = 5,38" de diámetro Motor FE de 6" 0,5'/seg.	CP = 7,52" de diámetro Motor CP de 8" 0,5'/seg.
	GMP requerido		
6	7	9	–
7	23	25	–
8	41	45	9
10	85	90	53
12	139	140	107
14	198	200	170
16	276	280	313

Multiplicar gpm por 0,2271 por m<sup>3</sup>/Hr.

Multiplicar gpm por 3,785 por l/min.



### GARANTÍA LIMITADA DE CENTRIPRO

Esta garantía se aplica a motores CentriPro de 6"-10" mostrados en este manual.

Toda parte o partes que se encuentren defectuosas dentro del período de garantía serán reemplazadas sin cargo para el representante dentro del plazo de garantía. El plazo de garantía estará en vigencia durante un período de doce (12) meses a partir de la fecha de instalación o dieciocho (18) meses a partir de la fecha de fabricación, cualquiera sea el período más corto.

Cualquier vendedor que crea que existe un reclamo de garantía debe comunicarse con el distribuidor autorizado de CentriPro a quien se compró el motor y control y proporcionar todos los detalles del reclamo. El distribuidor está autorizado a liquidar cualquier reclamo de garantía mediante el Departamento de Atención al Cliente de Goulds Water Technology.

**La garantía no incluye:**

- (a) Mano de obra, transporte y gastos relacionados en los que haya incurrido el representante;
- (b) Gastos de reinstalación de los equipos reparados;
- (c) Gastos de reinstalación de los equipos reemplazados;
- (d) Daños resultantes de cualquier tipo; y,
- (e) Reintegro por pérdidas causadas por la interrupción del servicio.

**A los efectos de esta garantía, ofrecemos una definición de los siguientes términos:**

- (1) "Distribuidor" se refiere a toda persona, sociedad, corporación, asociación o demás relación legal que se establezca entre CentriPro y el distribuidor en adquisiciones, consignaciones o contratos para la venta de motores y controles.
- (2) "Representante" se refiere a toda persona, sociedad, corporación, asociación o demás relación legal que realice operaciones comerciales de venta o arrendamiento de motores y controles con clientes.
- (3) "Cliente" se refiere a toda entidad que compra o arrienda motores y controles de un representante. El "cliente" puede ser una persona, sociedad, corporación, empresa de responsabilidad limitada, asociación o demás entidad legal que realice cualquier tipo de operación comercial.

**LA GARANTÍA SE EXTIENDE ÚNICAMENTE AL REPRESENTANTE.**



Xylem, Inc.  
2881 East Bayard Street Ext., Suite A  
Seneca Falls, NY 13148  
Teléfono: (866) 325-4210  
Fax: (888) 322-5877  
[www.xylem.com/brands/centripro](http://www.xylem.com/brands/centripro)

CentriPro es una marca registrada de Xylem Inc. o una de sus filiales.  
© 2012 Xylem, Inc. IM180 Revisión Número 3 Julio 2012