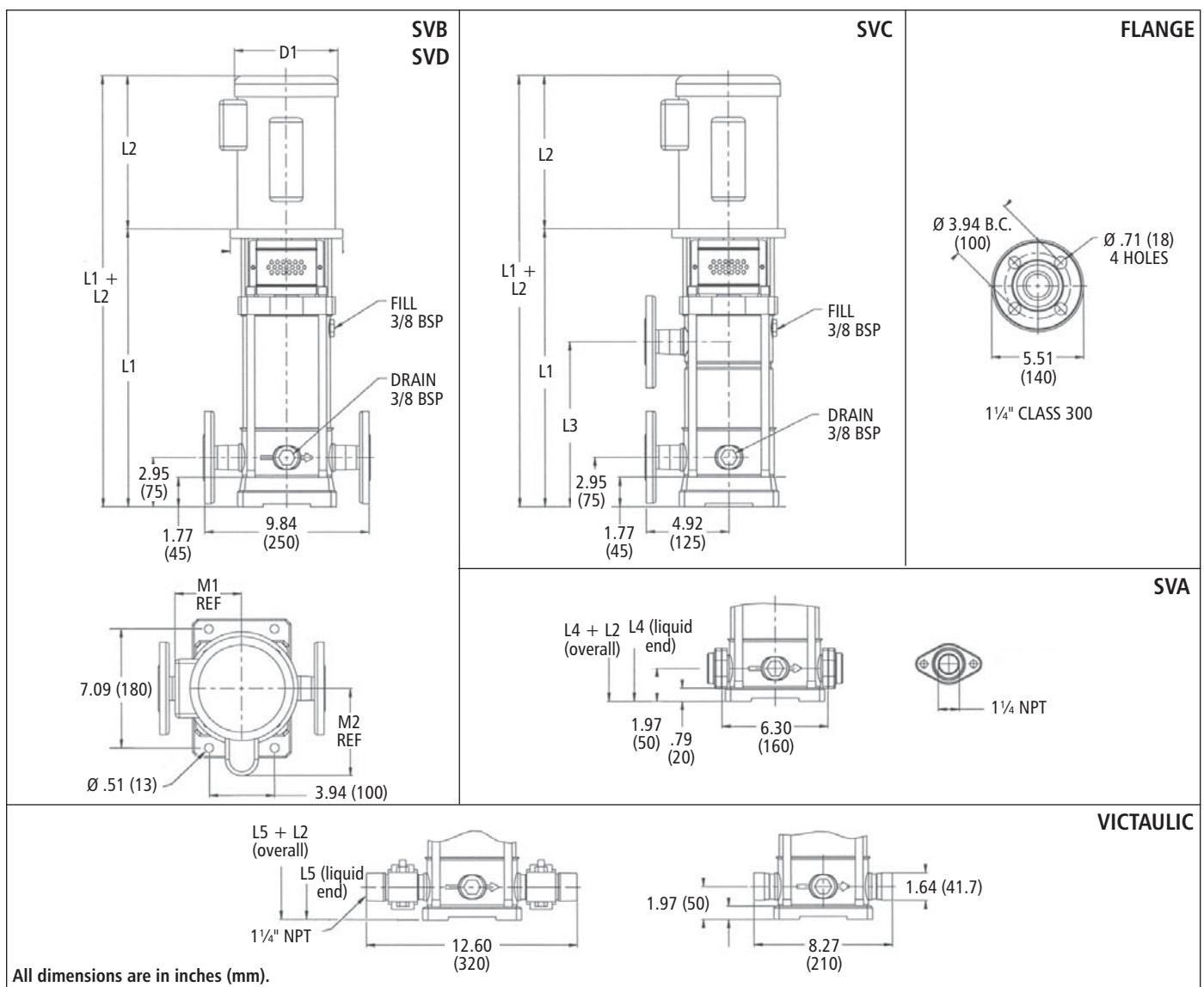


# Dimensions and Weights

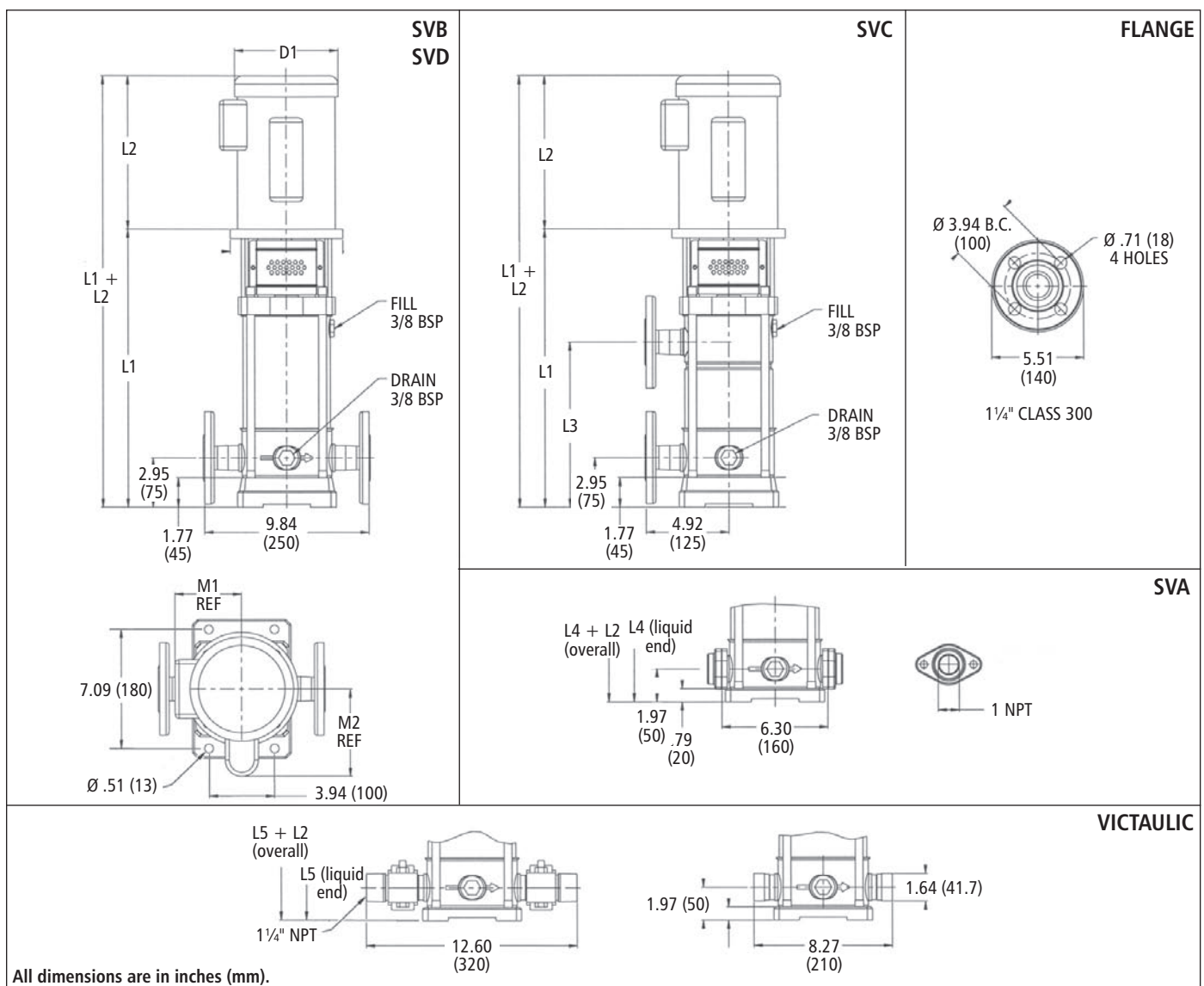
## 2SV Series 3500 RPM



Stage	Frame (1-Phase)		Frame (3-Phase)				L2					D1 (max.)		Weights (lb)								
	ODP	TEFC	ODP	TEFC	HP	L1	ODP	TEFC	L3	L4	L5	M1 (ref.)	M2 (ref.)	ODP	TEFC	Liquid End	ODP	TEFC				
2	56C	56C	56C	56C	3/4	12.69	10.75	9.94	11.19	11.69	11.69	5.06	5.19	6.19	6.19	21	24	28				
3					1	13.63	10.63	12.69		12.69	5.75	5.56	22			32	40					
4					1 1/2	14.63	10.69	13.63		13.63			24			40	43					
5					182-4TC	182-4TC	182-4TC	182-4TC	2	15.63	11.19	12.06	8.88	14.63	14.63	5.50	5.56	7.19	7.19	25	43	51
6										16.63			9.88	15.63	15.63					26		
7									17.56	10.81	16.63	16.63	28									
8									18.56	11.81	17.56	17.56	30	51	56							
9									19.56	12.81	18.56	18.56	31									
11					184TC	184TC	184TC	184TC	7 1/2	21.50	13.94	15.44	14.75	20.56	20.56	6.88	6.63	8.50	8.50	33	101	124
13	23.50	16.75	22.50	35																		
15	25.44	18.69	24.44	39																		
16	26.44	26.44	26.44	40																		
18	184TC	184TC	184TC	184TC	7 1/2	28.44	13.94	15.44	28.44	28.44	28.44	6.88	6.63	8.50	8.50	42	101	124				
20						30.44			30.44	30.44	44											
22						32.44			32.44	32.44	46											

# Dimensions and Weights

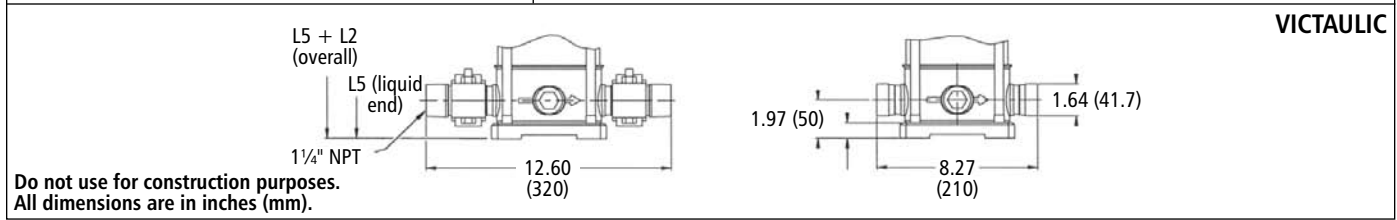
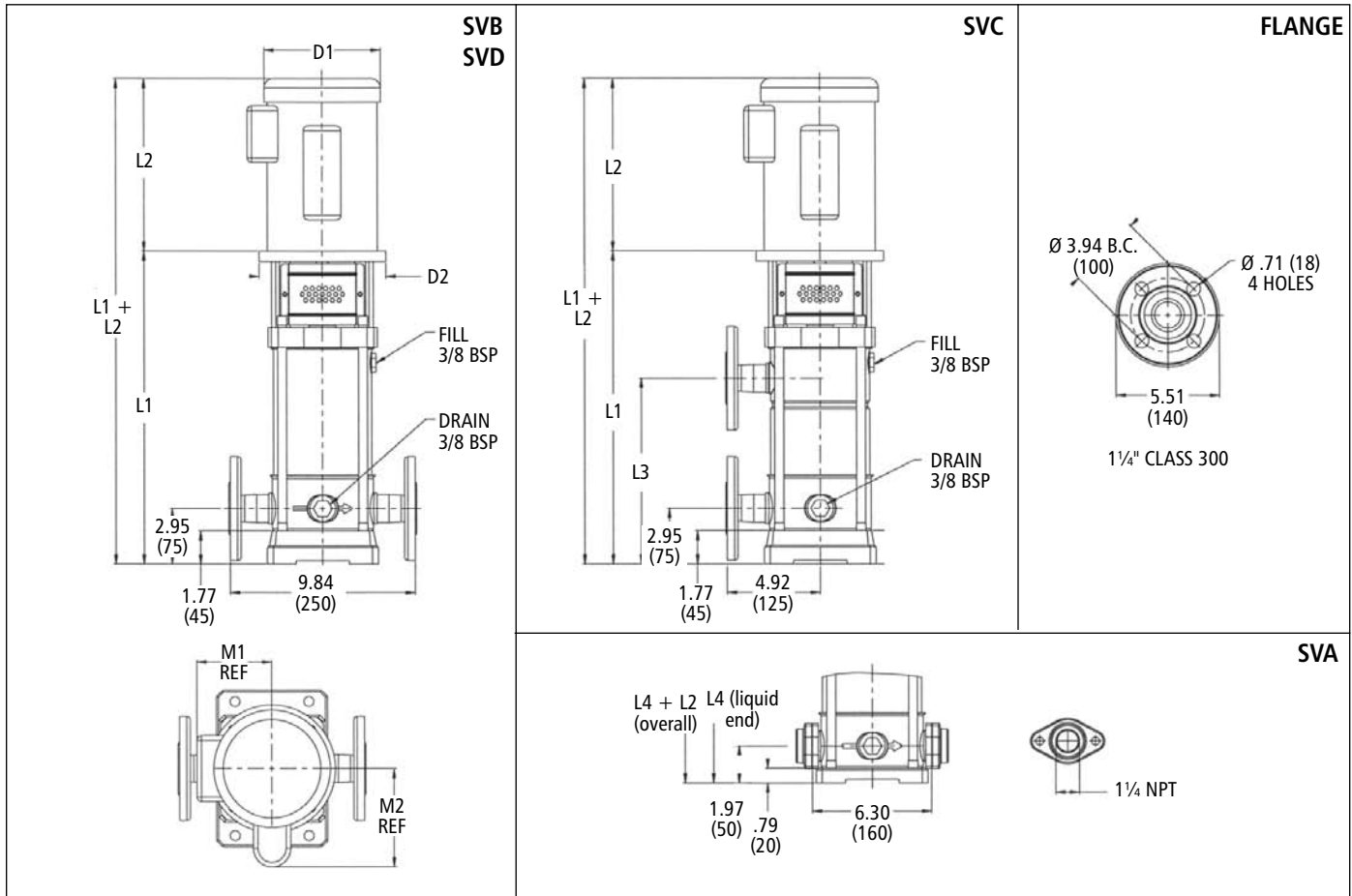
## 2SV Series 2900 RPM



Stage	Frame (1-Phase)		Frame (3-Phase)				L2					D1 (max.)		Weights (lb)													
	ODP	TEFC	ODP	TEFC	HP	L1	ODP	TEFC	L3	L4	L5	M1 (ref.)	M2 (ref.)	ODP	TEFC	Liquid End	ODP	TEFC									
2	56C	56C	1/2	12.69	10.75	9.94	13.94	15.44	16.75	22.50	22.50	5.06	5.19	6.19	6.19	21	24	28									
3				13.63												22											
4				14.63												24	32	40									
5			1	15.63	10.63	11.19										8.88	14.63	14.63	5.75	5.56	7.19	25	40	43			
6				16.63												9.88	15.63	15.63				26					
7			1 1/2	17.56	11.19	12.06										10.81	16.63	16.63	6.88	6.63	8.50	8.50	28	43	51		
8				18.56												11.81	17.56	17.56					30				
9				19.56												12.81	18.56	18.56					31				
11			182-4TC	182-4TC	3	21.50										11.56	13.44	14.75	20.56	20.56	6.88	6.63	8.50	8.50	33	51	56
13						23.50												16.75	22.50	22.50					35		
14						24.50												25.50	23.50	23.50					37		
16	26.44	25.50				25.50	40																				
18	28.44	27.50				27.50	42																				
20	213TC	182-4TC				5	30.44	13.94	15.44	16.75	22.50	22.50	6.88	6.63	8.50			8.50	44	101					124		
22			32.44	29.50	29.50		46																				
24			34.44	31.50	31.50		48																				
				33.50	33.50		50																				

## 2SV Dimensions and Weights

1750 RPM



Stage	Frame (1-Phase)		Frame (3-Phase)		HP	L2				L3	L4	L5	M1 (max.)	M2 (max.)	D1 (max.)		Weights (lb)								
	ODP	TEFC	ODP	TEFC		ODP	TEFC	ODP	TEFC						ODP	TEFC	Liquid End	ODP	TEFC						
2	Consult Factory				1/2	12.69	9.16	9.29													21	24	28		
3						13.63															11.69			12.69	22
4						14.63															12.69			13.63	24
5						15.63															13.63			14.63	25
6						16.63															8.88			14.63	26
7						17.56															9.88			15.63	28
8						18.56															10.81			16.63	30
9						19.56															11.81			17.56	31
11						21.50															12.81			18.56	33
13						23.50															14.75			20.56	35
15						25.44															16.75			22.50	37
16						26.44															18.69			23.50	40
18					28.44	25.50	25.50	42																	
20					30.44	27.50	27.50	44																	
22					32.44	29.50	29.50	46																	
24					34.44	31.50	31.50	48																	
						33.50	33.50	50																	

Goulds Pumps