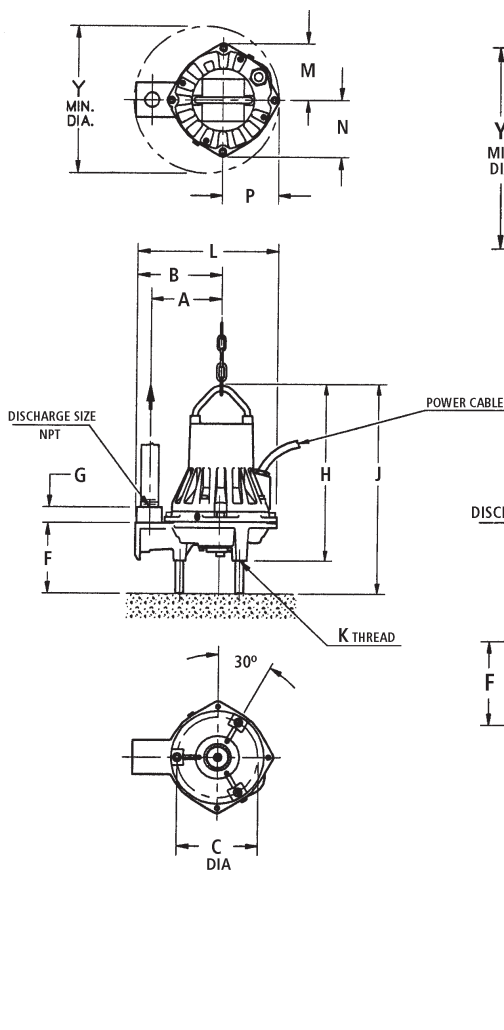


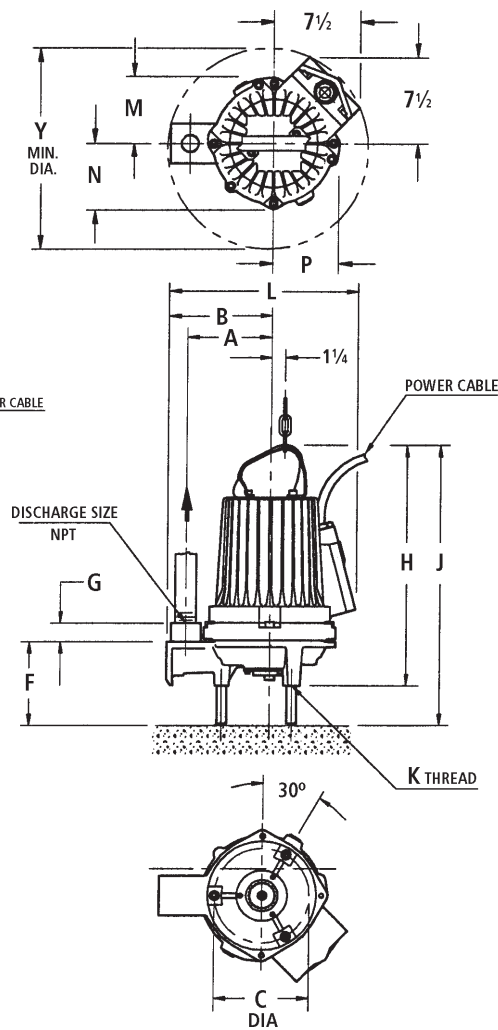
# 1GA & 2GA

1½" AND 2" DISCHARGE - SUBMERSIBLE GRINDER PUMPS

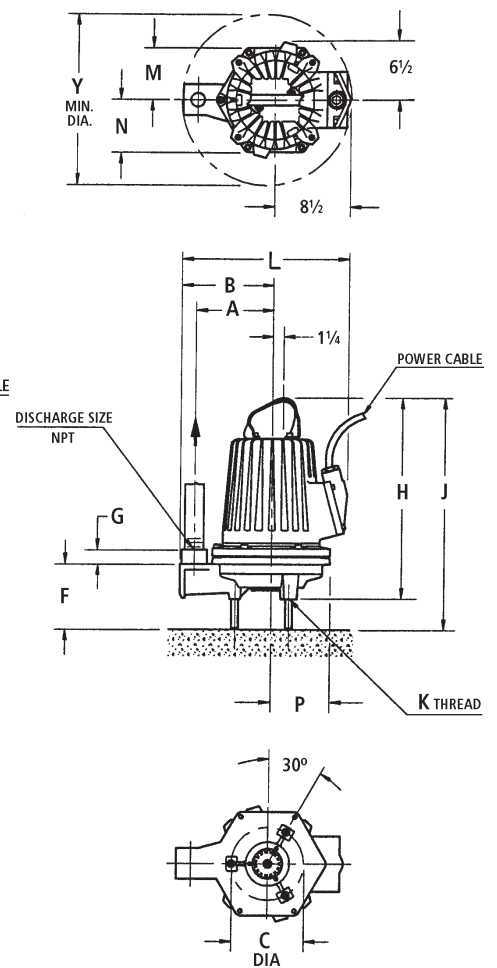
**DRAWING 1**



**DRAWING 2**



**DRAWING 3**



**DIMENSIONS** (All dimensions are in inches. Do not use for construction purposes.)

Drawing Number	Pump Series	HP	Phase	Disch. Size	A	B	C	F	G	H	J	K	L	M	N	P	Y	Wt. (lbs.)		
1	1GA	3	1	1.5"	7.0	8.75	7.94	7.25	1.5	17.5	20.5	M16	14.25	5.5	5.5	5.5	14.5	117		
		4	3			8.5		7.0		20.5	23.75		16.0				17.5	172		
5.4		1																		
6		3																		
2	2GA	5.4	1	2"	7.5	9.0	7.94	7.0	1.5	20.5	23.75	M16	16.5	5.5	5.5	5.5	17.5	172		
		6	3			9.4		7.25		22.0	25.5		18.5				5.75	5.75	6.5	18.5
9.4		1																		
11		3																		
3					8.5	10.0														

**Xylem Inc.**

2881 East Bayard Street Ext., Suite A, Seneca Falls, NY 13148

Phone: (866) 325-4210 Fax: (888) 322-5877

[www.gouldswatertechnology.com](http://www.gouldswatertechnology.com)

