



3885 (WE) Series

Cast iron effluent pumps

3885 (WE) Series effluent pumps are built with durable cast iron housing, casing and semi-open impeller for long-lasting performance. The pumps feature a 2" NPT discharge, and can handle solids up to 3/4". The premium mechanical seal helps to reduce maintenance requirements and the oil-filled motor dome provides superior cooling. This "Complete. Reliable. Blue." pump is ideal for effluent systems in residential and light commercial applications.



Features

- Cast iron, semi-open, non-clog impeller with pump-out vanes, balanced for smooth operation (silicon bronze impeller available as an option)
- Cast iron volute type casing for maximum efficiency
- Silicon carbide mechanical seal design provides superior protection against sand and abrasive damage
- Long lasting and corrosion resistant stainless steel hardware and threaded shaft
- Locknut on all models to guard against component damage on accidental reverse rotation
- Capable of running dry without damage to components
- Designed for continuous operation when fully submerged
- Three (3) year warranty/Four (4) year GPDA

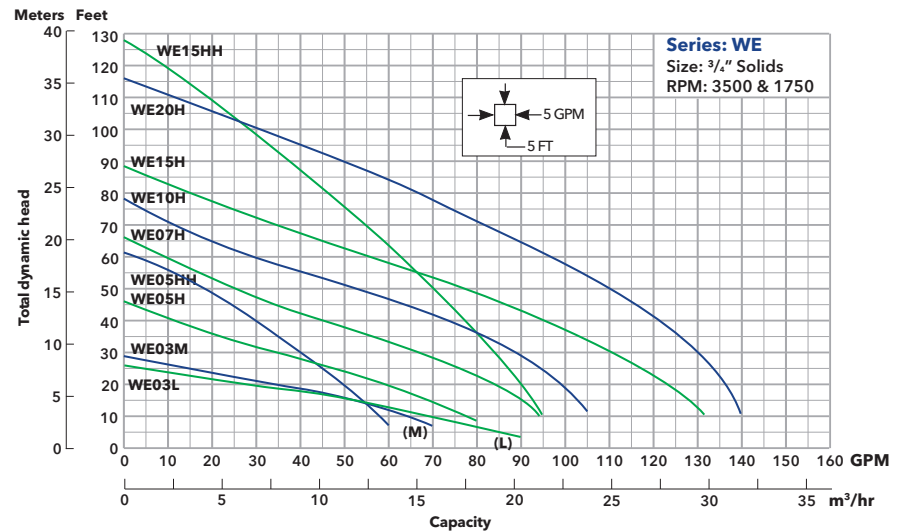
Applications

- Homes
- Farms
- Trailer courts
- Motels
- Schools
- Hospitals
- Small business
- Effluent systems

Product specifications

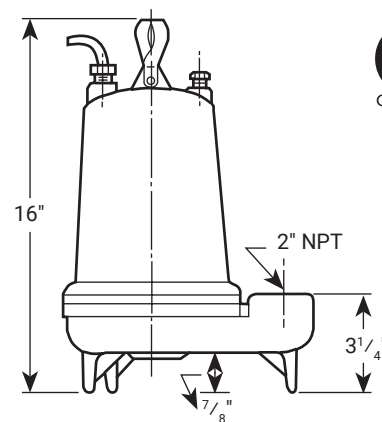
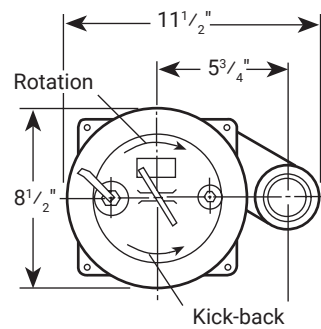
| Order number | HP | Phase | Volts | RPM | Maximum amps | |
|--------------|------|-------|-------|------|--------------|------|
| WE0311L | 0.33 | 1 | 115 | 1750 | 10.7 | |
| WE0318L | | | 208 | | 6.8 | |
| WE0312L | | | 230 | | 4.9 | |
| WE0311M | | | 115 | | 10.7 | |
| WE0318M | | | 208 | | 6.8 | |
| WE0312M | | | 230 | | 4.9 | |
| WE0511H | 0.5 | 1 | 115 | 3450 | 14.5 | |
| WE0518H | | | 208 | | 8.1 | |
| WE0512H | | | 230 | | 7.3 | |
| WE0538H | | | 3 | | 200 | 4.9 |
| WE0532H | | | | | 230 | 3.3 |
| WE0534H | | | | | 460 | 1.7 |
| WE0537H | | 575 | | | 1.4 | |
| WE0511HH | | 1 | | | 115 | 14.5 |
| WE0518HH | | | | | 208 | 8.1 |
| WE0512HH | | | 230 | | 7.3 | |
| WE0538HH | | | 3 | | 200 | 4.9 |
| WE0532HH | | | | | 230 | 3.6 |
| WE0534HH | 460 | | | 1.8 | | |
| WE0537HH | 575 | 1.5 | | | | |
| WE0718H | 0.75 | 1 | | 208 | 11.0 | |
| WE0712H | | | | 230 | 10.0 | |
| WE0738H | | | 200 | 6.2 | | |
| WE0732H | | 3 | 230 | 5.4 | | |
| WE0734H | | | 460 | 2.7 | | |
| WE0737H | | | 575 | 2.2 | | |
| WE1018H | 1 | 1 | 208 | 14.0 | | |
| WE1012H | | | 230 | 12.5 | | |
| WE1038H | | | 200 | 8.1 | | |
| WE1032H | | 3 | 230 | 7.0 | | |
| WE1034H | | | 460 | 3.5 | | |
| WE1037H | | | 575 | 2.8 | | |
| WE1518H | 1.5 | 1 | 208 | 3450 | 17.5 | |
| WE1512H | | | 230 | | 15.7 | |
| WE1538H | | | 3 | | 200 | 10.6 |
| WE1532H | | | | | 230 | 9.2 |
| WE1534H | | | | | 460 | 4.6 |
| WE1537H | | | | | 575 | 3.7 |
| WE1518HH | | 1 | | | 208 | 17.5 |
| WE1512HH | | | | | 230 | 15.7 |
| WE1538HH | | | 3 | | 200 | 10.6 |
| WE1532HH | | | | | 230 | 9.2 |
| WE1534HH | | | | | 460 | 4.6 |
| WE1537HH | | | | | 575 | 3.7 |
| WE2012H | 2 | 1 | | 230 | 18.0 | |
| WE2038H | | | | 200 | 12.0 | |
| WE2032H | | 3 | 230 | 11.6 | | |
| WE2034H | | | 460 | 5.8 | | |
| WE2037H | | | 575 | 4.7 | | |

Performance curves



Dimensions

(All dimensions are in inches. Do not use for construction purposes.)





Materials of construction

| Part name | Material |
|---------------------|--------------------------------------|
| Impeller | Cast iron* |
| Casing & motor dome | Cast iron |
| Motor adapter | Cast iron |
| Mechanical seal | Silicon carbide/Silicon carbide/BUNA |
| Cord | STOW or SJTOW |
| Fasteners | Stainless steel |
| Handle | Stainless steel |

* Silicon bronze impeller available as an option.

Agency listings

 Tested to UL778
 CAN 22.2 by CSA
 International
 (Canadian Standards Association)



COMPLETE. RELIABLE. BLUE.
 Learn more about our complete line of wastewater products.



Learn more about 3885 Series pumps



Xylem Inc. www.xylem.com/goulds

This information is subject to change without notice. All information presented herein is believed reliable and in accordance with accepted engineering practices. Xylem makes no warranties as to the completeness of this information. Users are responsible for evaluating individual product suitability for specific applications. Xylem assumes no liability whatsoever for any special, indirect or consequential damages arising from the sale, resale or misuse of its products.

©2025 Xylem is a registered trademark of Xylem Inc. or one of its subsidiaries. Goulds Water Technology is a registered trademark of ITT Manufacturing Enterprises LLC and is used under license. All other trademarks or registered trademarks are the property of their respective owners.