



2DW Series

SUBMERSIBLE DEWATERING PUMP



The 2DW Series is a stainless steel dewatering pump that handles virtually any solid that moves through its screened inlet. The durable bottom suction design is ideal for applications from which large volumes of water need to be removed. The 2" discharge can be adjusted for both vertical and horizontal orientations. Easily transported, this "Complete. Reliable. Blue." pump is great for effectively removing unwanted fluids in areas like construction sites or flooded areas.

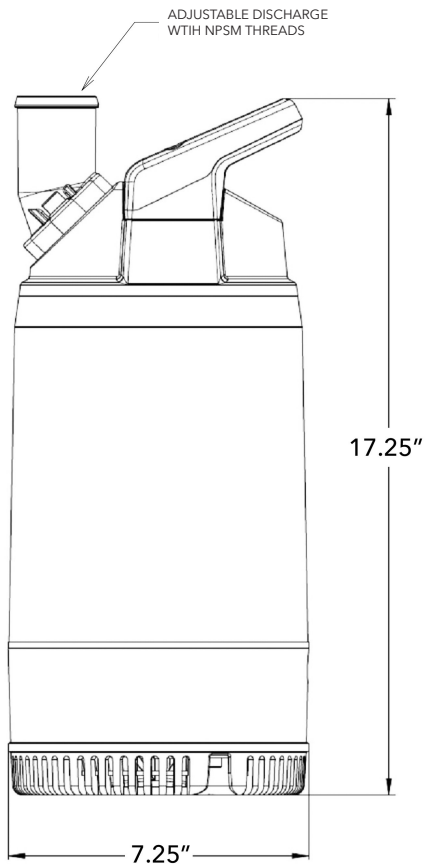
APPLICATIONS

- Residential
- Light commercial
- Industrial
- Drainage ditches
- Trenches
- Basements
- Manholes
- Excavating drainage in the building trades

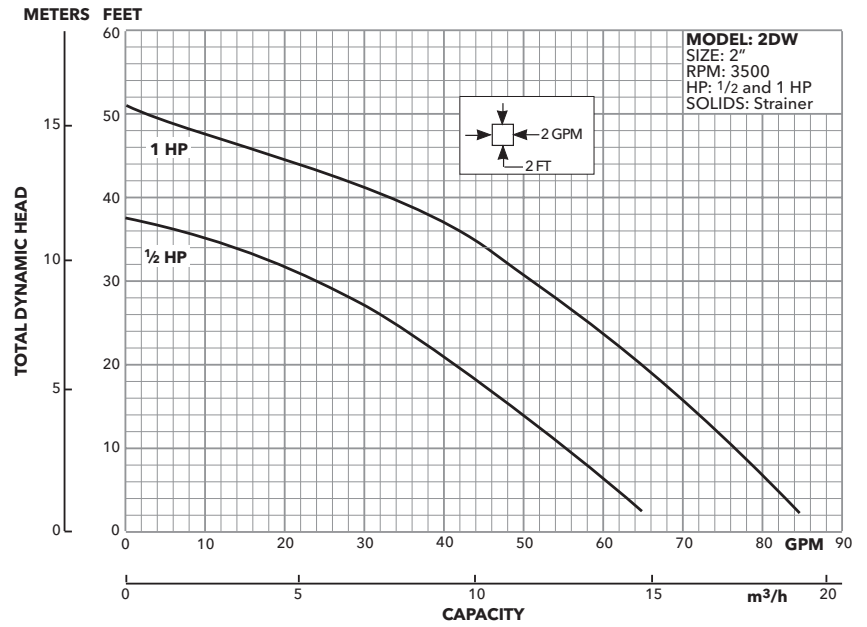
FEATURES

- Polyurethane impeller, to resist wear and corrosion
- Adjustable 2" NPSM threaded hose coupling discharge that can be installed either vertically or horizontally using only two screws
- Polyurethane diffuser, to resist wear and corrosion
- Dual mechanical seals for double leakage protection
- Rubber liner that protects against wear around the impeller
- Bottom strainer made of impact-absorbing EPDM rubber, with suction holes that allow for a low pump down
- 3 year standard warranty (4 Year GPDA)

DIMENSIONS



PERFORMANCE CURVES



MATERIALS OF CONSTRUCTION

Component	Material
Impeller	Polyurethane Open
Exterior	Stainless Steel
Upper Mechanical Seal	Nitrile Rubber
Lower Mechanical Seal	Silicon Carbide
Bottom Strainer	EPDM Rubber
Fasteners	Stainless Steel

MODEL INFORMATION

Order No.	HP	Volts	Phase	Maximum Amp	RPM	Height (in.)	Weight (lbs.)
2DW0511	1/2	115	1	5.5	3500	17.25	26
2DW0512		230		2.9			
2DW1011	1	115		9.8			32
2DW1012		230		4.9			

Learn more about
2DW Series Pumps



Xylem Inc.
 2881 East Bayard Street Ext., Suite A
 Seneca Falls, NY 13148
 Phone: (866) 325-4210 • Fax: (888) 322-5877
www.xylem.com/goulds

Xylem is a registered trademark of Xylem Inc. or one of its subsidiaries. Goulds is a registered trademark of ITT Manufacturing Enterprises LLC and is used under license. All other trademarks or registered trademarks are property of their respective owners.

© 2024 Xylem Inc. GWT2DW-SS-120079 R1 May 2024

**COMPLETE.
RELIABLE. BLUE.**

Learn more about
our complete line
of wastewater
products.

