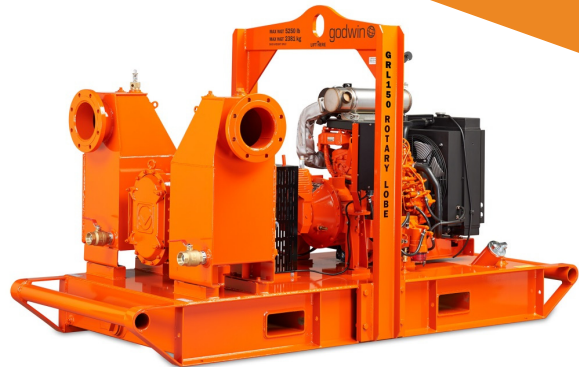


GRL150 Rotary Lobe Pump

Godwin Pumps, a Xylem brand, proudly introduces a line of rotary lobe pumps for a range of on-site dewatering applications including wellpointing and sock operations.

The GRL150 pump is capable of flows to 760 USGPM and air handling to 102 cfm. The GRL150 also offers the best longevity and performance in less abrasive pumping environments.



Features and Benefits

- Capable of achieving higher flow rates using less horsepower, thereby reducing fuel and overall operational costs.
- Removable front cover for inline maintenance access without disturbing piping connections.
- Reduced vibration from rotational speed, increasing operating speed capabilities and decreasing vibrational wear on downstream equipment.
- Includes water tanks for air handling applications.
- Available in diesel or electric.
- Standard engine Yanmar 3TNV88 (IT4 Flex).

Specifications

Suction connection	6" 150# ANSI B16.5
Delivery connection	6" 150# ANSI B16.5
Max capacity	760 USGPM
Max solids handling	2.4"
Displacement	1.3 US Gal/rev
Max Air Handling	102 cfm
Max operating speed	600 rpm

Performance Data

Engine speed (rpm)	Pump speed (rpm)	Flow (usgpm)	Air Handling (cfm)	Power (hp)	TDH (ft)
800	200	250	33	7	58
1200	300	370	49	10	58
1600	400	500	67	13	58
2000	500	630	84	17	58
2300	600	760	102	20	58

Materials

Pump Casing	Grey Cast Iron ASTM A536, 230 to 260 Brinell hardness.
Wearplates	Grey Cast Iron ASTM A536, 700 Brinell
Lobes	Carbon Steel (ASTM A470)
Water Tanks	Hot-dipped galvanized steel
Mechanical Seal	Silicon Carbide

Engine option 1

Yanmar 3TNV88 (IT4 Flex), 31 HP @ 2300 rpm

Pump speed 600 rpm driven by 3.86:1 gearbox

Fuel capacity: 100 US Gal

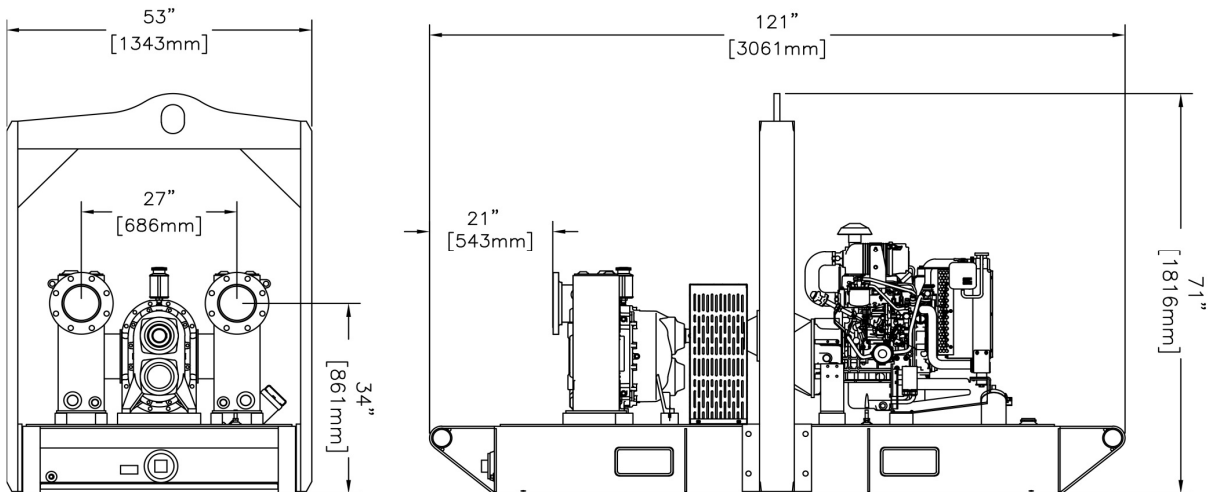
Max Fuel consumption @ 2300 rpm: 1.7 US Gal/hr

Max Fuel consumption @ 2000 rpm: 1.5 US Gal/hr

Weight (Dry): 3,770 lbs

Weight (Wet): 4,490 lbs

Dim.: (L) 121" x (W) 53" x (H) 71"



84 Floodgate Road
 Bridgeport, NJ 08014 USA
 (856) 467-3636 · Fax (856) 467-4841
 Email: sales@godwinpumps.com

Reference number : 200GPA0001020
 Date of issue : November 30, 2015
 Issue : -

www.godwinpumps.com