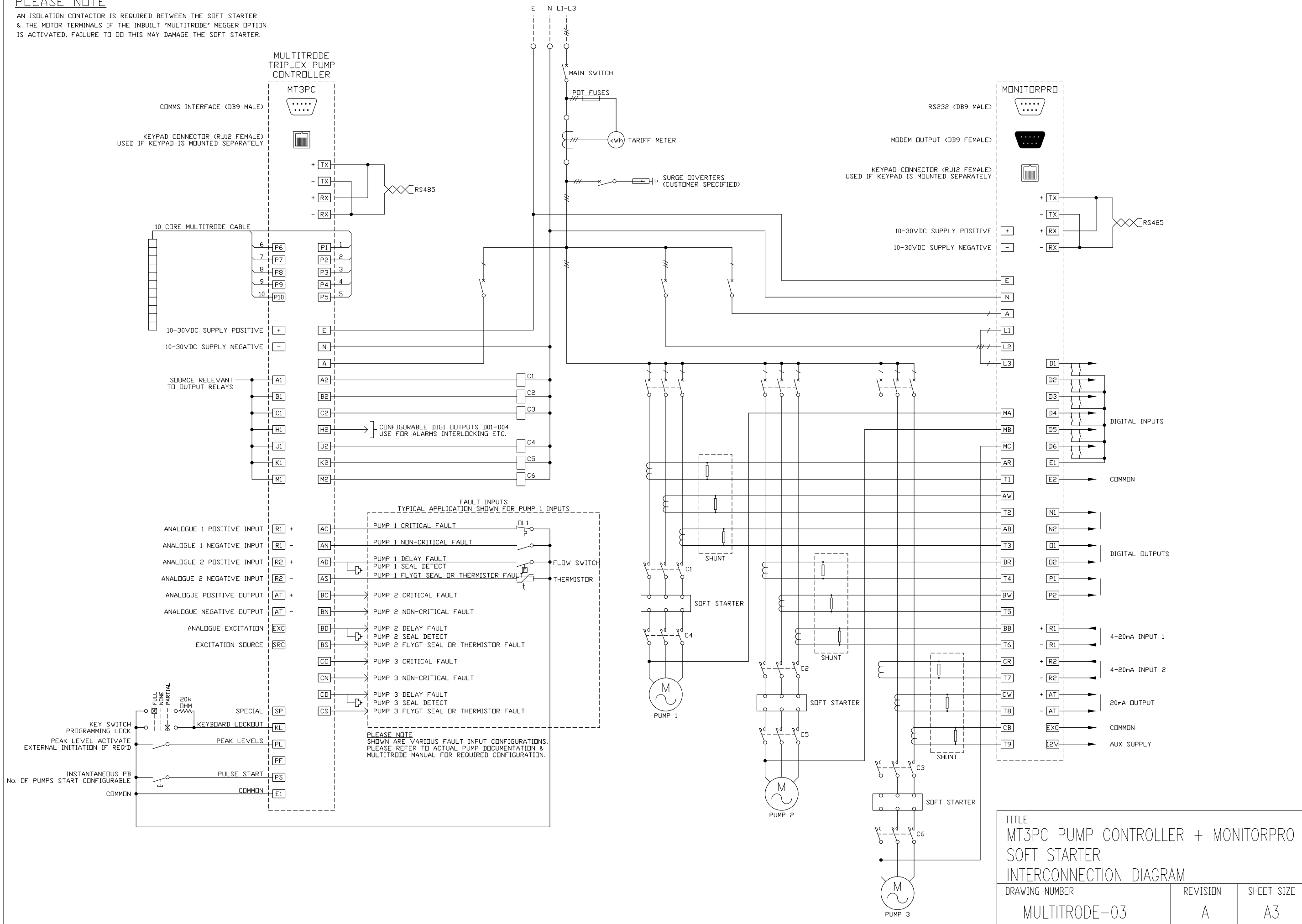


PLEASE NOTE

AN ISOLATION CONTACTOR IS REQUIRED BETWEEN THE SOFT STARTER & THE MOTOR TERMINALS IF THE INBUILT 'MULTITRODE' MEGGER OPTION IS ACTIVATED, FAILURE TO DO THIS MAY DAMAGE THE SOFT STARTER.



| | | |
|--|----------|------------|
| <p>TITLE MT3PC PUMP CONTROLLER + MONITORPRO SOFT STARTER INTERCONNECTION DIAGRAM</p> | | |
| DRAWING NUMBER | REVISION | SHEET SIZE |
| MULTITRODE-03 | A | A3 |