

This document provides technical information relating to this specific Flojet model. General information references and further resource locations are also included.

LF Plus pumps are designed to be compact and long-lasting, capable of satisfying pumping needs for a wide variety of applications. Typical pump uses include spraying, fluid transfer, filtration, cooling, dispensing, and pressure boosting.

Features:

- Self-Priming up to 6 ft. (1.8 m)
- Runs dry without damage
- Pressure switch shut-off
- Quick connect ports for easy installation
- Low amp draw for battery-powered applications

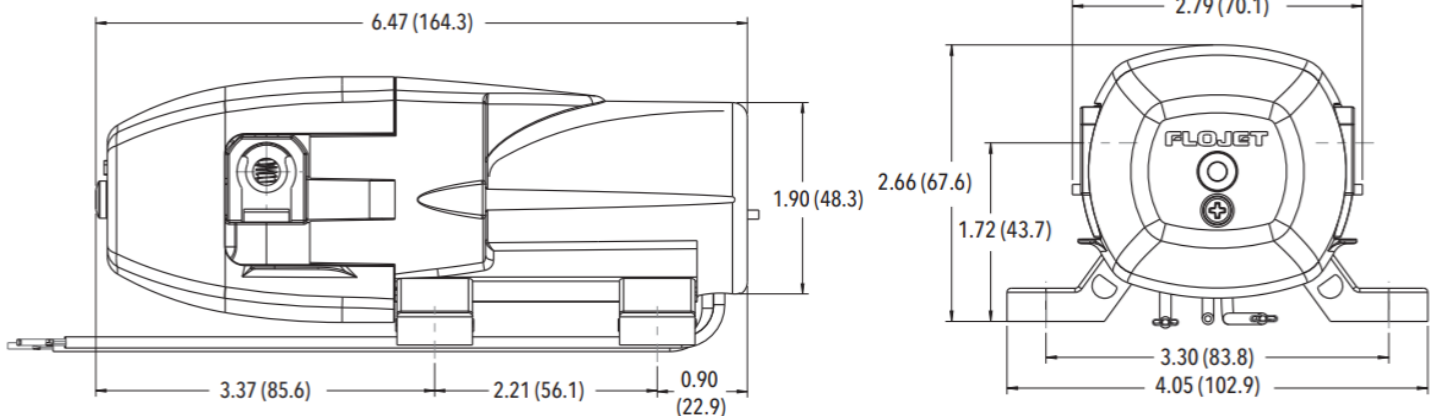
Contents:

Pump Unit:	24V 1.0GPM 35PSI 24V 3.8LPM 2.4BAR
Port Fittings:	2 x 3/8" (10mm) Straight Hosebarb
IOM:	Included (PN 81000230)
Carton type:	Plain bulk
Master pack qty:	36



Dimensional Drawing

Notes: Inches [mm]



Specifications:

General

Part Number:	RLFP222202D
Aftermarket replacement:	RLFP222202D
Replaces (closest matches):	
Application:	Industrial Fluid Transfer & Spray
Design:	Reciprocating Diaphragm Quick Connect Ports TENV Permanent Magnet Motor Noise Dampening Baseplate Thermal Motor Protection (TCO)

Materials (*designates wetted path)

Upper Housing*:	Glass-filled Polypropylene
Lower Housing:	Glass-filled Polypropylene
Check Valve Retainer*:	Polypropylene
Diaphragm*:	Santoprene
Check Valves*:	EPDM
Switch diaphragm*:	EPDM
Bypass Diaphragm*:	N/A
PH Seals*:	EPDM
PH Fasteners:	Stainless Steel
Baseplate:	N/A - slide in rubber feet
Motor Casing:	Enclosed in protective plastic casing

Hydraulic Performance (at nominal voltage)

Open Flowrate:	1.0 GPM open flow (3.8 LPM)
Pressure Switch Cut-Off:	35 PSI (2.4 BAR)
Max Inlet Pressure:	0 PSI (0 BAR)
Internal Bypass:	None
Fluid Temperature Range:	32°F - 110°F (0°C - 43°C)
Self-Priming Capability:	Up to 6 ft (1.8 m) dry
Run-Dry Capable:	Yes

Electrical Performance (at nominal voltage)

Nominal Voltage:	24 VDC
Voltage Range:	24 VDC - 27.2 VDC
Max Current Draw:	1.5 Amps @ 35 PSI (2.4 BAR)
Fuse Size:	2 Amps (not included)
Duty Cycle:	Intermittent (See heat-rise chart)
Leads:	12" (305mm), 18 AWG (0.75mm ²)
Wire Connection:	Stripped Wire

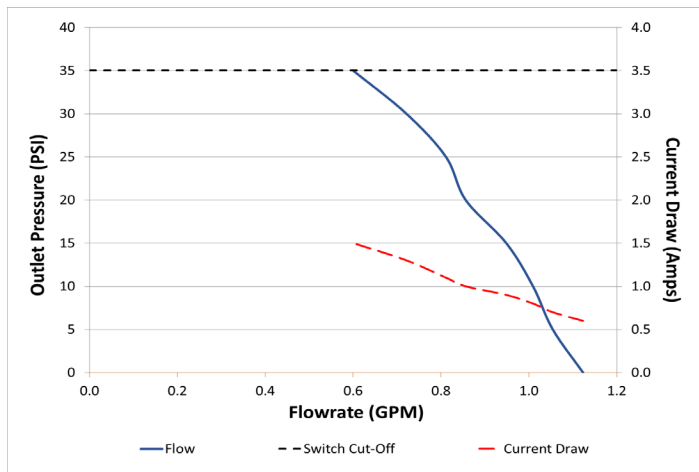
Compliance

CE:	Yes
UKCA:	Yes
NSF:	Yes
CSA:	Yes
WEEE:	Yes
Country of Origin:	China
HTS Code:	8413.50.0050

Other Information

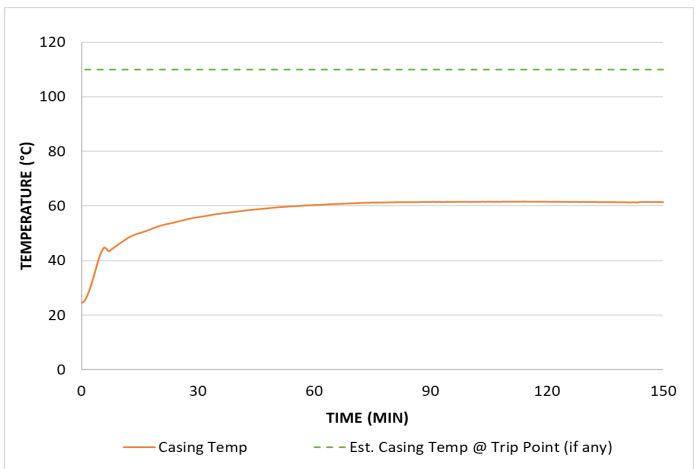
Operating Environment:	Industrial
Ambient Temp Range:	32°F - 110°F (0°C - 43°C)
IP Rating:	IPX4
Carton Dimensions:	9.4x4.5x3.4" (238.7x114.3x86.3mm)
Master Pack Dimensions:	19x14.3x22.6" (482.6x363.2x574mm)
Weight (pump only):	1.3 lbs (.05 kg)
UPC Code:	705474222414

Flowcurve



Representative curve of unit operated at nominal voltage. Performance will vary somewhat unit to unit. Switch cut-off represents the point on the flow curve at which the integrated pressure switch will turn off the pump.

Heat-Rise

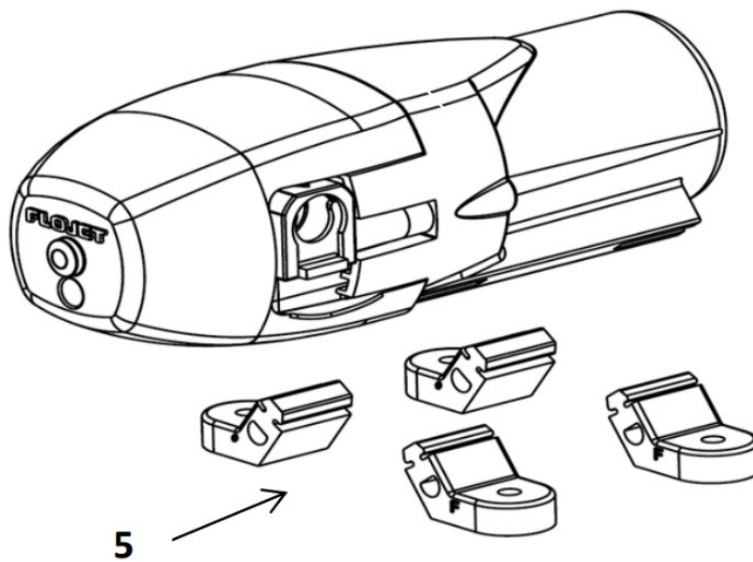


Tested @ elevated ambient temp of 122°F (50°C) @ max run pressure. Trip point shown is casing temp at time of TCO trip. If there is a concern about the ability of the pump to run continuously for long periods of time, then in-application testing is highly recommended.

Pump Service Kits & Spares:

ITEM	PART NUMBER	DESCRIPTION
1. Port Clips	Not offered	
2. Switch Kit	Not offered	
3. Check Valve Assembly	Not offered	
4. Pumhead Assembly	Not offered	
5. Baseplate/Mounting Feet	20717001A	Rubber mounting feet (qty 4)

Exploded View:



Available Flojet Industrial Options

In addition to the unit described in this datasheet Flojet also offers the following configurations (will vary somewhat by region and model type) and options:

Voltages:	12, 24, & 36 VDC 115 & 230 VAC
Flowrate Range:	1 - 6 GPM (3.8 - 22.7 LPM)
Switch Setting Range:	25 - 150 PSI (1.7 - 10.3 Bar)
Pump Configurations:	Switch; Bypass; Switch & Bypass; Switch, No Bypass; No Switch, No Bypass Santoprene (TPV), Viton, Buna, Nitrile, and other blended materials EPDM, Viton, Buna, Nitrile and other valve/seal materials Some models available with transducers or vacuum switches Various customer options dependent on volumes

Installation and Operation

For guidance on proper installation and operation of this pump, as well as for any warnings or cautions involving use, please consult the appropriate IOM for the pump. Printed IOM's are supplied with the pumps and are also available online.

Resources & Contact Information

IOM: On website; hard copies with pumps

Customer Service: Refer to contact info at our website

Warranty: Information included in IOM

Website: www.xylem.com/Flojet

Note: Specifications provided for guidance only. We reserve the right to change specifications without prior notice.

FLOJET
a xylem brand

Xylem Inc. — USA
17942 Cowan
Irvine, CA 92614

Xylem Inc. — UK
Harlow Innovation Park,
London Road,
Harlow, Essex, CM17 9LX

Xylem Inc. — CHINA
30/F Tower A, 100 Zunyi Road,
Shanghai 200051

Xylem Inc. — HUNGARY KFT
2700 Cegléd
Külso-Kátai út 41

Xylem Inc. — AUSTRALIA
14 Emporium Avenue,
Kemps Creek, NSW 2178

www.xylem.com/flojet

© 2024 Xylem Inc. All rights reserved
Flojet is a trademark of Xylem Inc. or one of its
subsidiaries RLP222202D Rev. A 08/2024