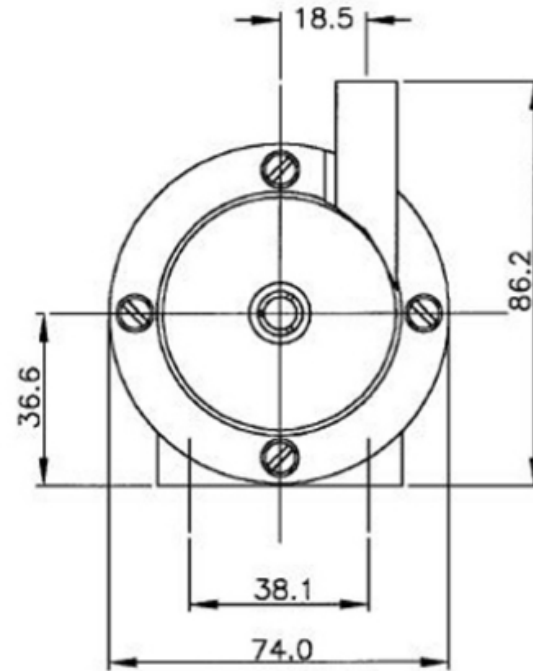
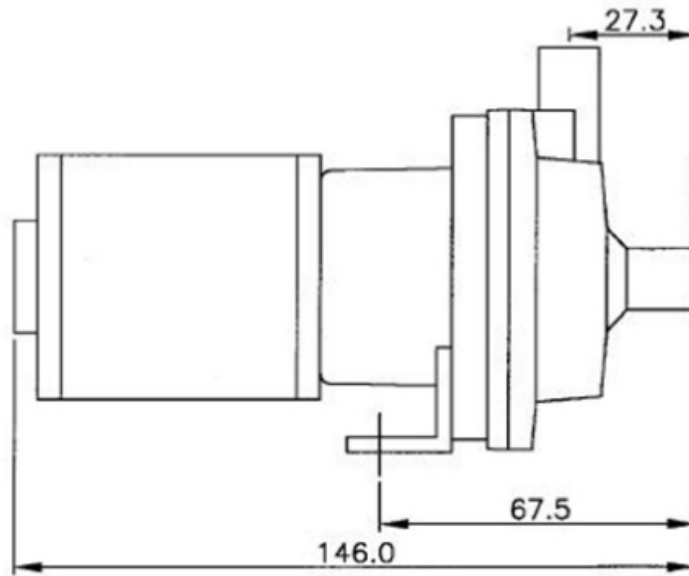


Dimensions in mm



mounting foot fixing holes:M5