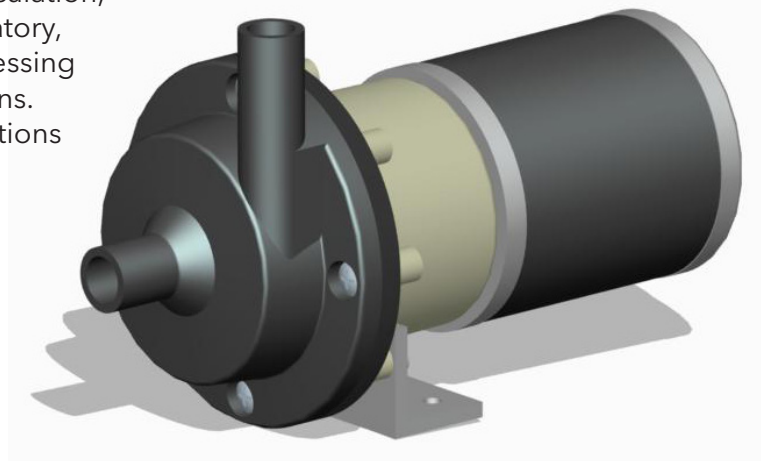


PRINCIPAL APPLICATIONS

Designed for hot & cold drinks vending, water circulation, re-circulation & cooling duties in beverage, laboratory, agricultural, print, photographic & industrial processing applications and other short time rated applications.
12 Volt & 24 Volt versions to suit vehicular applications

WETTED MATERIALS

- Standard EPDM 'O' ring, optional Nitrile or Silicone or Viton®
- Strontium ferrite magnet
- Stainless steel spindle
- PP pump housing
- PPS option available



FEATURES

- Magnetically coupled, sealless leak-free design
- Pump body orientation easily altered to suit installations
- Variable mounting foot positions
- Lifts to 5 metres

OPTIONS

DC15/5

12V DC
12V DC

Port Details

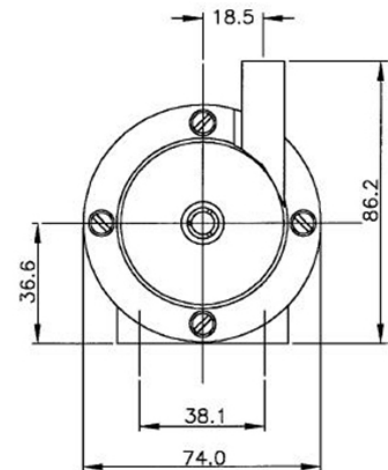
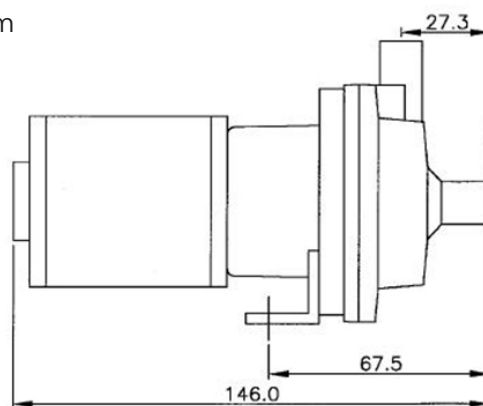
1/4" BSP M
Plain 13 mm

24V DC
24V DC

1/4" BSP M
Plain 13 mm

DIMENSIONS

Drawings not to scale
Dimensions in millimetres



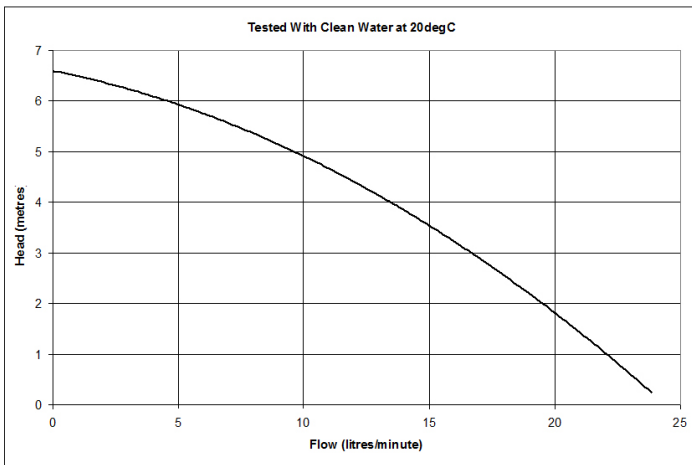
mounting foot fixing holes:M5

SPECIFICATION

Model	Overall height (mm)	Overall length (mm)	Overall width (mm)	Weight (kg)	Max body pressure (bar)	Run-out flow rate (l/min)	Closed valve head (m)	Temp range (degC)	*Max specific gravity	Motor output (watts)
DC15/5	86	146	74	0.7	1.4	23	6.5	-20 to +85	1.0	25

*Assuming maximum viscosity of 30cp. Refer to Totton Pumps for higher viscosities and specific gravities

PERFORMANCE



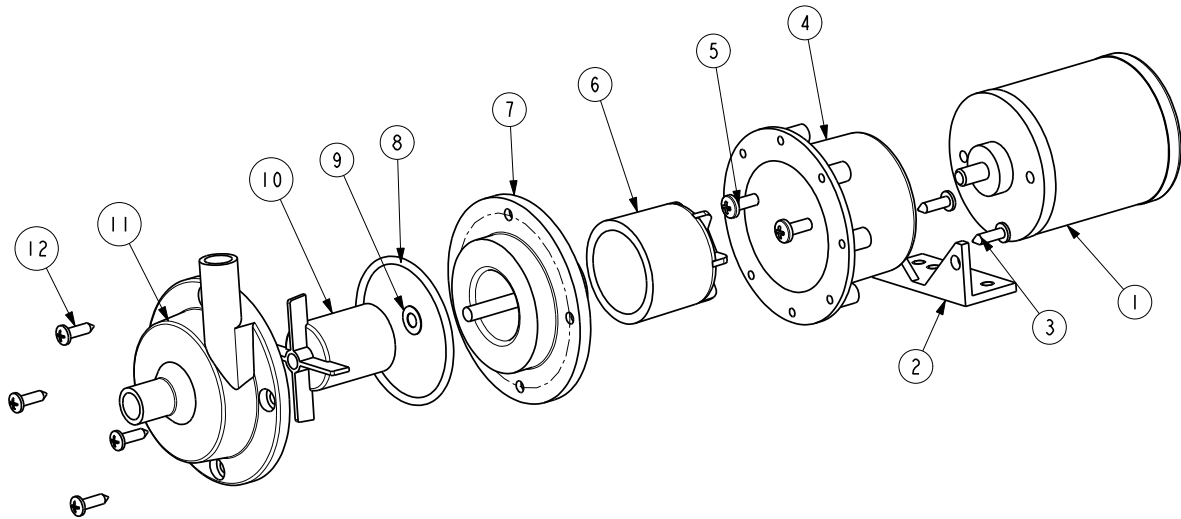
NOTE: These magnetically coupled pumps are designed for use with clean fluids.

Solids will cause jamming. Abrasives will reduce pump life and invalidate the warranty.

DC pumps are not self priming and are not designed to run dry.

The company reserves the right to change specifications.

PART LIST



Item Number	Description	Quantity	Part Number			
1	Motor	1	013808 (12V)		013809 (24V)	
2	Mounting Bracket	1	043308			
3/5	Screw	1	022163			
4	Adaptor	1	003145			
6	Drive Magnet	1	023267			
7	Spindle Housing	1	003357			
8	O-ring	1	013291 (EPDM)	003265 (Viton)	003224 (Nitrile)	023224 (Silicone)
9	Shim	1	001624			
10	Impeller	1	003355			
11	Pump Body	1	013358 (plain)		013369 (threaded)	
12	Screw	4	022163			

xylem
Let's Solve Water

www.xyleminc.com

UK
Xylem
Bingley Road, Hoddesdon
Hertfordshire EN11 0BU
Tel: +44 (0) 1992 450145
Fax: +44 (0) 1992 467132

USA
Xylem
100 Cummings Center Drive
Suite 535-N, Beverly, MA 01915
Tel: +1 978 281-0440
Fax: +1 978 283-2619

ITALY
Xylem
Via Tommaseo, 6
20059 Vimercate, Milano
Tel: +39 039 685 2323
Fax: +39 039 666 307

GERMANY
Xylem
Oststrasse 28
22844 Norderstedt
Tel: +49-40-53 53 73-0
Fax: +49-40-53 53 73-11

JAPAN
Xylem
3-21-10, Shin-Yokohama
Kohoku-Ku, Yokohama, 222-0033
Tel: +81-045-475-8906
Fax: +81-045-477-1162

Warranty: All products of the company are sold, and all services of the company are offered subject to the company's warranty and terms of sale, copies of which will be furnished upon request. Details correct at time of printing. We reserve the right to change specifications without prior notice.