

FLOJET®

Flojet G Series Slide Rail Bracket

DESIGNED FOR FLOJET G SERIES PUMPS



Flojet's new G Series slide rail bracket is designed to simplify the installation of Flojet G Series Air Operated Diaphragm Pumps

Back-room systems, the support infrastructure for fountain dispense, are continually evolving. High yield syrups and the proliferation of new flavors are placing high demands on back-room equipment. As a result, product performance and ease of installation are becoming increasingly important to installers and end-users alike.

Flojet's G55 pump is the industry's leading syrup pump and is the only pump ideally suited for high yield syrups. Now, with the slide rail bracket, these pumps can be used in slide rail systems, which are common in installations throughout the world.

Features and Benefits

- Wide handle for easy grip
- Robust design for long, trouble free holding power
- Easy to clean
- Keyhole mounts on face for wall mounting

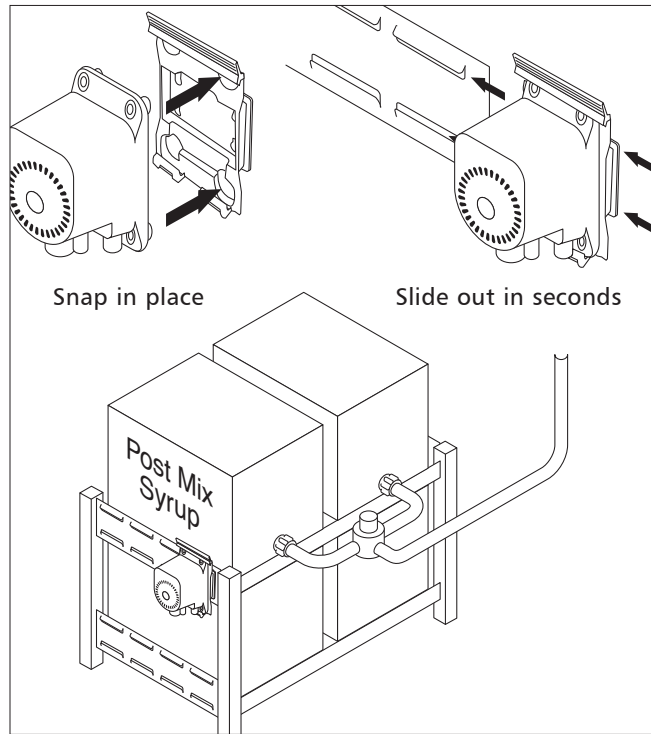
Advantages of Flojet's G55 with Slide Rail System

- Ideally suited for high yield syrup
- Ideally suited for long runs and high rises
- Ease of install
- Ease of service



G SERIES SLIDE RAIL BRACKET | DESIGNED FOR FLOJET G SERIES PUMPS

Typical Installation



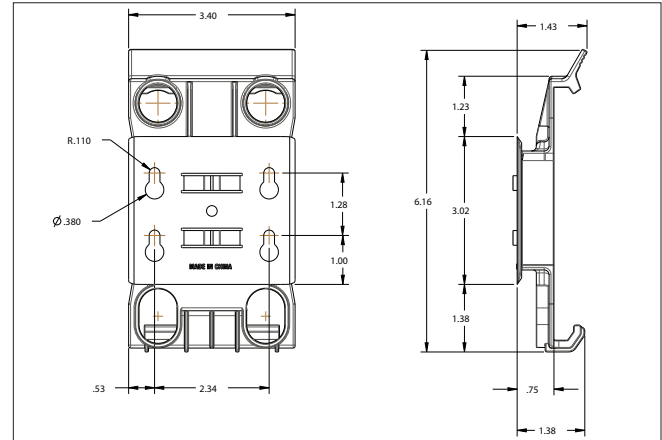
Bracket Model Number

20272003B

G55 Pump Shown With Bracket

Sold in packs of 8

Dimensional Drawing



Other Available Brackets

20272-002B 20982-100A 11028-508 11028-008 21000-325A 21000-326A 21000-296A 21000-563 21000-255B

Model Number	Product Description
20272-002B	Slider Bracket-Individual unit snaps onto N5000 pump, allows mounting to slider racks.
20982-100A	Mounting Bracket - "Universal" mounting bracket (for N5000 & all G Series Pumps)
11028-508	Mounting Bracket - Three (3) pump metal mounting bracket (for N5000 Series Pumps)
11028-008	Mounting Bracket - Eight (8) pump stainless steel mounting panel (for N5000 Series Pumps)
21000-325A	Mounting Bracket - Eight (8) pump plastic mounting bracket (for N5000 Series Pumps)
21000-326A	Wall Mount Kit - (for mounting 21000-325A on BIB rack or wall)
21000-296A	Mounting Bracket - Four (4) pump plastic mounting bracket (for G Series Pumps)
21000-563	90° Slider Bracket (For N5000 series pumps)
20272-255B	Transfer Valve Mounting Bracket

www.flojet.com

USA

666 Dyer Road
Santa Ana, California 92705
Tel: (715) 557 4700
Fax: (714) 628 8478

UK

Bingley Road, Hoddesdon
Hertfordshire EN11 0BU
Tel: +44 (0) 1992 450145
Fax: +44 (0) 1992 467132

GERMANY

Oststrasse 28
22844 Norderstedt
Tel: +49-40-53 53 73-0
Fax: +49-40-53 53 73-11

CHINA

30/F, Tower AHongqiao City Center of
Shanghai 100 Zunyi Road, Shanghai
200051, China
Tel: +(86) 21 2208 2888

ITALY

Via Tommaseo, 6
20059 Vimercate, Milano
Tel: +39 039 685 2323
Fax: +39 039 666 307

Warranty: All products of the company are sold and all services of the company are offered subject to the company's warranty and terms and conditions of sale, copies of which will be furnished upon request. The information provided herein is for guidance only, it does not constitute a guarantee of the performance or specification of any individual product or component.