



FEATURES

Single phase pumps now have built-in overload protection. See control panel note on page 3.

Impeller: Silicon bronze, multi-vane semi-open, with pump-out vanes for mechanical seal protection. Balanced for smooth operation.

Grinder Cutter System: The anti-roping design, hardened cutter is keyed to the motor shaft for positive drive. The cutter ring is specially designed to be reversed when the first side wears out thus doubling its life and reducing maintenance costs. The cutter system is designed and tested to pass items found in normal wastewater.

Casing: Heavy duty cast iron, volute type for maximum efficiency. Use with A10-12 guide rail system for ease of installation and maintenance.

Dual Mechanical Seals: Silicon carbide vs. silicon carbide outer seal and ceramic vs. carbon inner seal, stainless steel metal parts, BUNA-N elastomers. Upper and lower shaft seals are positioned independently and are separated by an oil-filled chamber. Optional Silicon/Tungsten Carbide outer seal available.

Optional Seal Sensor Probe: Located in oil-filled chamber. If pumpage should begin to leak past lower seal it indicates to pump control panel a fault has occurred. Requires optional Seal Fail Circuit in the control panel.

Fasteners and Pipe Plugs: 300 series stainless steel.

AGENCY LISTINGS



Tested to UL 778 and CSA 22.2 108 Standards
By Canadian Standards Association
File #LR218526

12GDS

SUBMERSIBLE GRINDER PUMP

DUAL SEAL WITH OPTIONAL SEAL SENSOR PROBE



Bell & Gossett
a xylem brand

Wastewater

APPLICATIONS

Designed for high head sewage applications where a gravity system is not practical. Ideal for pressure sewage systems.

SPECIFICATIONS**Pump:**

- Solids handling capabilities: 3" maximum
- Discharge: 1¼" NPT removable flange
- Capacities: up to 46 GPM
- Total heads: up to 106 feet TDH

Motor:

- 2 HP, 3450 RPM, 60 Hz
- Class "F" insulation
- Rated for continuous duty fully submerged
- Maximum Fluid Temperature:
104° F continuous duty, 140° F intermittent duty

Single Phase:

- 208 or 230 volt
- Built-in, auto reset, on-winding motor overload

Three Phase:

- 200, 230, 460 or 575 volt
- Class 10 ambient compensated, overload protection required in control panel.

MOTORS

- Fully submerged in oil-filled chamber. High grade turbine oil surrounds motor for more efficient heat dissipation, permanent lubrication of bearings and mechanical seal for complete protection against outside environment.

NOMENCLATURE DESCRIPTION**1st and 2nd Characters- Discharge Size**

12 = 1¼" N.P.T. Threaded Flange

3rd Character - Pump Type

G = Grinder Pump

4th Character - Design

D = Dual Seal Pump

5th Character - Sensor

S = With Built-in Seal Fail (Moisture) Sensor (standard)

C = No Seal Fail Sensor (optional)

6th Character - Phase

1 = Single Phase

3 = Three Phase

4 = Three Phase with On-Winding, Pilot Duty, Thermal Sensors

7th Character - Horsepower

G = 2 HP

• Class F insulation

- **Single Phase:** 2 HP, 208 or 230 volt, 60 Hertz, 3450 RPM, 14/4 power cord. Motor has built-in overload with automatic reset. Start capacitor, run capacitor and starting relay are required and will be located in the control panel. See "Recommended Control Panels" in chart on this bulletin.

- **Three Phase:** 2 HP, 200, 230, 460 or 575 V, 60 Hz, 3450 RPM. 14/4 STOW. Overload protection must be provided in starter unit.

- **Designed for Continuous Operation:** Pump ratings are within the motor manufacturer's recommended working limits and can be operated continuously without damage when fully submerged.

- **Bearings:** Upper and lower heavy duty ball bearing construction for precision positioning of parts and to carry thrust loads.

- **Power (Sensor) Cables:** Severe duty rated, oil and water resistant. Epoxy seal on motor end provides secondary moisture barrier in case of outer jacket damage and to prevent oil wicking. 20 foot standard with optional lengths available.

- **O-ring:** Assures positive sealing against contaminants and oil leakage.

- **Shaft:** 300 series stainless steel, keyed design, short overhang for minimum shaft deflection.

- Pump is capable of running dry without damage to mechanical components.

8th Character - Voltage

2 = 200 / 208 3 = 230 4 = 460 5 = 575

9th Character - Motor RPM / Hertz

(Not all available on all models, see pump specifications)

1 = 3500/60 5 = 2900/50

10th Character - Silicon Bronze Impeller Code

A = 5.63" B = 5.25" C = 4.75" D = 4.25"

11th Character - Lower (outer) Mechanical Seal

1 = Standard Lower Seal - Silicon carbide/silicon carbide, BUNA elastomers and 304 SS metal parts.

2 = Optional Lower Seal - Silicon carbide/tungsten carbide, BUNA elastomers and 304 SS metal parts.

12th Character - Power and Sensor Cord Length

A = 20' (standard) D = 30' F = 50' J = 100'

13th Character - Options

1 = Epoxy Paint

MODEL AND MOTOR INFORMATION

Order No.	HP	Phase	Volts	RPM	Maximum Amps	Locked Rotor Amps	KVA Code	Full Load Efficiency	Resistance		Power Cord	Weight lbs.
								%	Start	Line-Line		
12GDS1G31A1A	2	1	230	3450	15.5	96.0	P	79.0	1.37	0.62	14/4 STOW 20' LONG	110
12GDS1G21A1A			208		17.5							
12GDS3G21A1A		3	200		14.0	44.8	J	81.0	NA	1.8		
12GDS3G31A1A			230		12.0	37.4				D		
12GDS3G41A1A			460		6.0	18.7	J	83.2				
12GDS3G51A1A			575		4.8	14.0				18.0		

FEATURES (continued)

Effective with December 2005 (M05) Date Codes -

Single-Phase 12GDS Pumps Contain a Built-in, Auto Reset Overload.

Important Control Panel Requirements and Notes:

- 1) See panel bulletin BCP5 for other available options.
- 2) These pumps require a magnetic contactor, start and run capacitors and a starting relay in the control panel.
- 3) CP-1GDB Capacitor packs with starting relays are available on product bulletin BCPCAP. They are for certified panel shops to "build" into a custom panel. Field installing capacitor packs into a S10020 or D10020 will negate the UL listing on that panel and is therefore not permissible.

Pump Order No.	Pump Seal Fail Circuit	Voltage / Phase	Recommended Control Panel	
			Simplex	Duplex
12GDC1G31-1A	No	230 / 1	S1GD2	D1GD2
12GDC1G21-1A		208 / 1	S1GD2	D1GD2
12GDS1G31-1A	Yes	230 / 1	S1GD2H	D1GD2J
12GDS1G21-1A		208 / 1	S1GD2H	D1GD2J

CONTROL PANEL REQUIREMENTS

(EFFECTIVE DECEMBER 2005)

SINGLE PHASE

- Magnetic contactor
- Start capacitor
- Run capacitor
- Start relay
- Terminal wiring strip for all external connections
- See panel bulletin BCP5 for 1Ø panels.

THREE PHASE

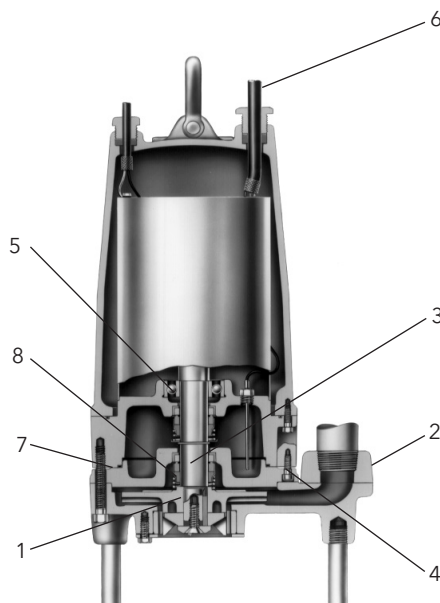
- A 3 pole circuit breaker
- NEMA rated magnetic starter with ambient compensated Class 10 overloads
- Transformer to supply 115 or 24 volt control power
- Terminal wiring strip for all external connection

RECOMMENDED OPTIONS

- Seal Fail Circuit with relay and visual and/or audible warning device
- High level alarm circuit (standard on our panels)
- High level visual and/or audible alarm devices (light is standard on our panels)

MATERIALS OF CONSTRUCTION

Item No.	Part Name		Material				
1	Impeller, multi-vane		1179				
2	Castings		1003				
3	Shaft-keyed		300 Series SS				
4	Fasteners		300 Series SS				
5	Ball bearings		Steel				
6	Power cable		STOW, 20 feet				
7	O-ring		BUNA-N				
8	Outer Mech. Seal	No.	Service	Rotary	Stationary	Elastomers	Metal Parts
	OPT	10K22	Heavy duty	Silicon Carbide	Tungsten Carbide	BUNA-N	300 Series SS
	STD	10K28	Mild abrasives	Silicon carbide		BUNA-N	300 Series SS
Material Code			Engineering Standard				
1003			Cast iron – ASTM A48 Class 30				
1179			Silicon bronze – ASTM C87600				



APPLICATION DATA

Maximum Solid Size	N/A
Minimum Casing Thickness	5/16"
Casing Corrosion Allowance	1/8"
Maximum Working Pressure	50 PSI
Maximum Submergence	50 feet
Minimum Submergence	Fully submerged for continuous operation
	6" below top of motor for intermittent operation
Maximum Environmental Temperature	40°C (104°F) continuous operation
	60°C (140°F) intermittent operation

CONSTRUCTION DETAILS

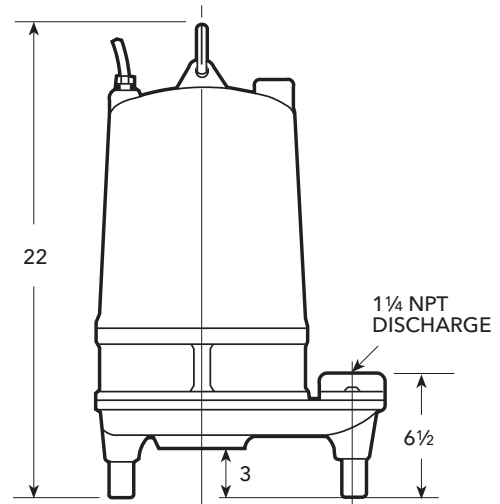
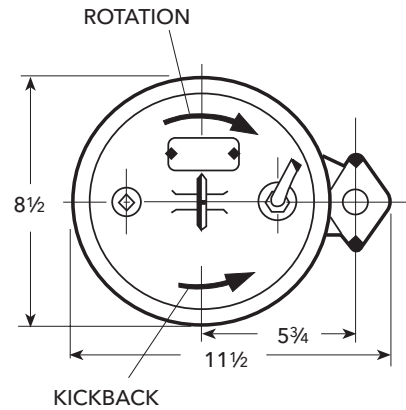
Power Cable - Type	14/3, type SJTOW: single phase
	14/4, type STOW: single phase
	14/4, type STOW: all three phase
Sensor Cable - Type	16/2, type SJTOW: heat sensor or seal fail only
	18/4, type SJTOW: seal/heat sensor
Motor Cover	Gray Cast Iron - ASTM A48 Class 30
Bearing Housing	Gray Cast Iron - ASTM A48 Class 30
Seal Housing	Gray Cast Iron - ASTM A48 Class 30
Casing	Gray Cast Iron - ASTM A48 Class 30
Impeller	Cast Bronze - ASTM B584 C87600
Motor Shaft	AISI 300 Series Stainless Steel
Motor Design	NEMA 56 Frame, oil filled with Class F Insulation
Optional: Motor Seal Fail (Moisture) Detection	Seal fail sensor in an oil-filled seal chamber. Connect to an optional relay in control panel.
Optional: Motor Thermal Protection 1Ø and 3Ø	Normally closed on-winding thermostats open at 275° F (135° C) and close at 112° F (78° C). Require terminal connection in the control panel.
Motor Overload Protection	Single Phase: Built-in, auto reset overload
	Three Phase: require ambient compensated Class 10 protection in the control panel.
External Hardware	300 Series Stainless Steel
Impeller Type	Semi-open with pump out vanes on back shroud
Cutter	Two blades; type 440C stainless steel
Oil Capacity - Seal Chamber	1.5 quarts
Oil Capacity - Motor Chamber	4.5 quarts

STANDARD PARTS

Ball Bearing - Upper	Single row ball- SKF™ 6203-2Z
Ball Bearing - Lower	Single row ball - SKF™ 6206-2Z
Mechanical Seals - Standard	Carbon/Ceramic; Upper
	Silicon Carbide/Silicon Carbide - Lower
Mechanical Seals - Optional	Silicon Carbide/Tungsten Carbide - Lower
O-Ring - Stuffing Box	BUNA-N, AS 568A-256
O-Ring - Motor Cover	BUNA-N, AS 568A-166

DIMENSIONS

(All dimensions are in inches. Do not use for construction purposes.)



xylem
Let's Solve Water

Xylem Inc.
2881 East Bayard Street Ext., Suite A
Seneca Falls, NY 13148
Phone: (866) 325-4210
Fax: (888) 322-5877
www.bellgossett.com

Bell & Gossett is a trademark of Xylem Inc. or one of its subsidiaries.
© 2014 Xylem Inc. B12GDS R4 November 2014