

Model 107A High Capacity Air Vent

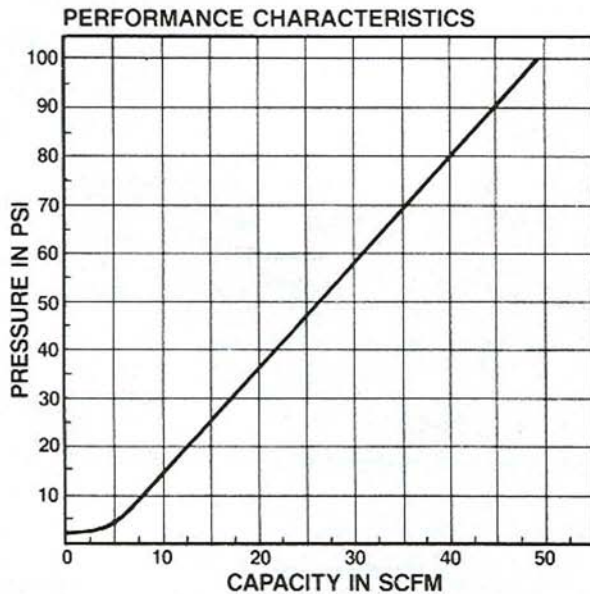
A-312A

Model 107A High Capacity Air Vent

Bell & Gossett's new float operated high capacity air vent is designed to purge free air from liquid systems at temperatures up to 250°F and pressures up to 150 psig, and provide positive shutoff to eliminate the untimely loss of system liquid. Excellent choice for use in systems using water or ethylene glycol & water as the fluid medium.

The Model 107A High Capacity Air Vent features:

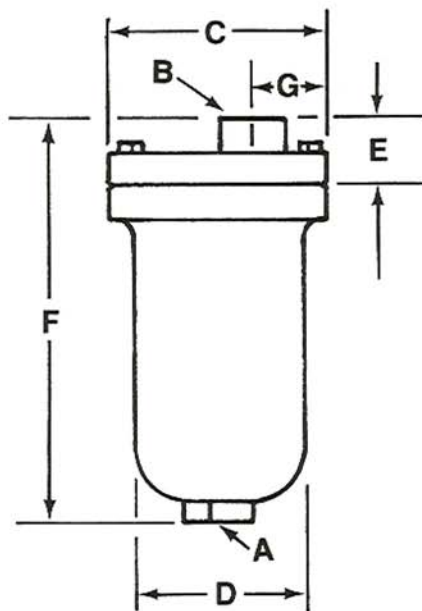
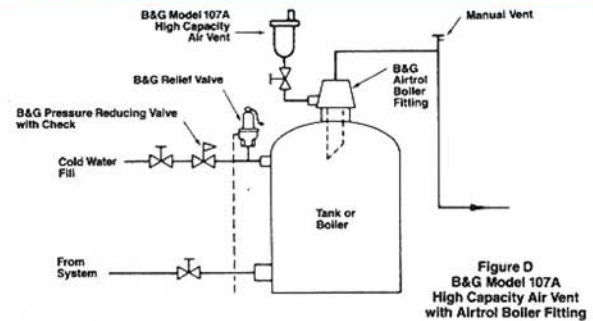
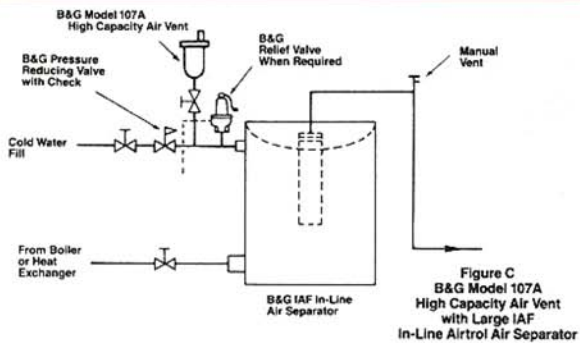
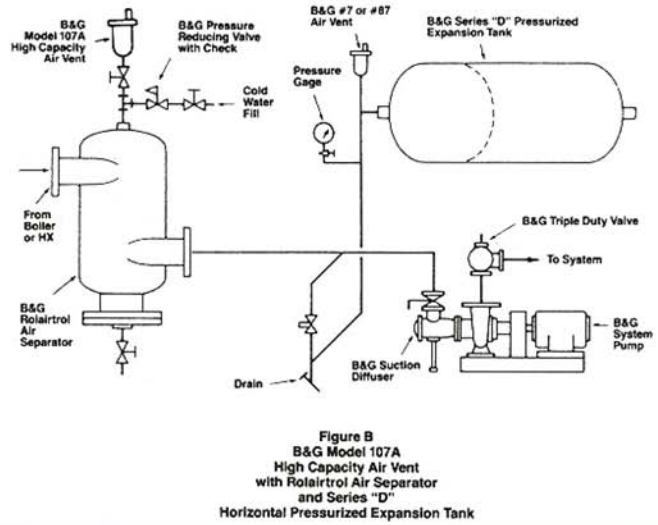
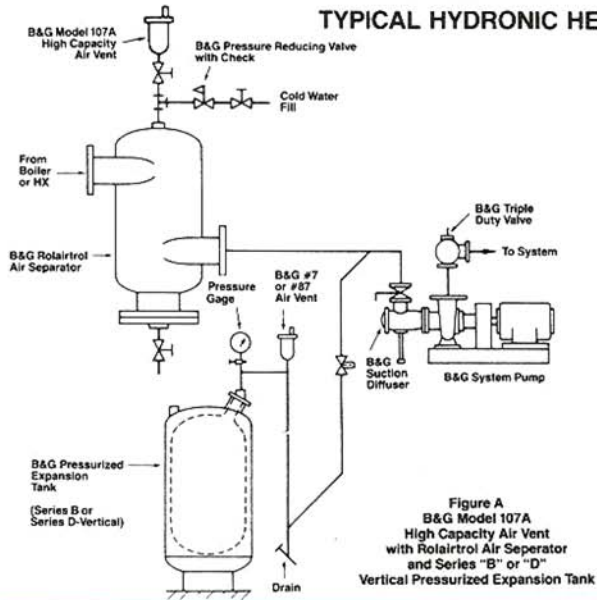
- Float actuated operation for the instant venting of free air at pressures up to 150 psig.
- Rugged cast iron construction with stainless steel, brass and EPDM internal components.
- Positive shutoff at pressures up to 150 psig.



OPERATING PRINCIPLE

The accumulation of air in the body of the Model 107A High Capacity Air Vent causes a float to drop allowing the air to be vented through the seat. As the liquid level rises, the float also rises, the rubber button closes off the seat stopping the flow of air and preventing the flow of liquid. If system pressure should drop below atmospheric pressure, a small stainless steel ball blocks the orifice, preventing outside air from entering the system.

TYPICAL HYDRONIC HEATING/COOLING APPLICATIONS



DIMENSIONS AND WEIGHT

DIMENSIONS								APPROX. SHPG. WT.	
A		B		C		D			
IN	MM	IN	MM	IN	MM	IN	MM	LBS.	KG.
3/4	19	3/8	10	4 1/4	108	4	102	8	3.6
E		F		G					
1 3/4	44	9 1/2	241	1	25				

TYPICAL SPECIFICATION

Furnish and install as shown on plans, a float actuated high capacity air vent designed to purge free air from the system and provide shutoff at pressures up to 150 psig at a maximum temperature of 250°F. The design of the high capacity air vent shall prevent air from entering the system if system pressure should drop below atmospheric pressure. The high capacity air vent shall purge free air at pressures up to 150 psig during normal system operation. The high capacity air vent shall be constructed of cast iron and fitted with components of stainless steel, brass, and EPDM.

The high capacity air vent shall be Bell & Gossett Model 107A.

xylem
Let's Solve Water

Xylem Inc.
8200 N. Austin Avenue
Morton Grove, Illinois 60053
Phone: (847) 966-3700
Fax: (847) 965-8379
www.xylem.com/brands/bellgossett

Bell & Gossett is a trademark of Xylem Inc. or one of its subsidiaries.
© 2012 Xylem Inc. A-312A July 2006