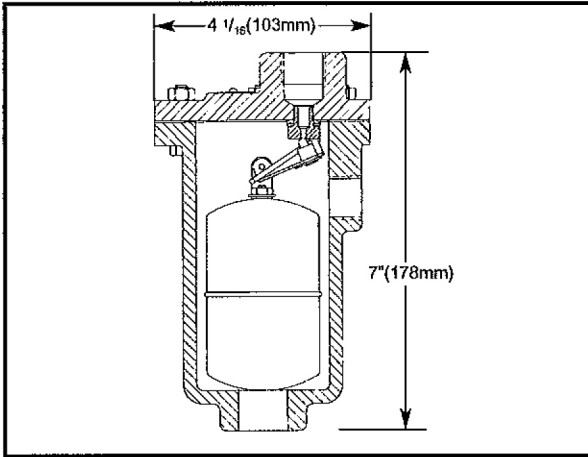




JOB:		REPRESENTATIVE:	
UNIT TAG:	ORDER NO.	DATE:	
ENGINEER:	SUBMITTED BY:	DATE:	
CONTRACTOR:	APPROVED BY:	DATE:	



Hoffman Specialty® Model 792 High Pressure Water Main Vent Valve

Materials of Construction	
Part	Specifications
Body	Cast Iron
Cover	Cast Iron
Float	Stainless Steel
Seat	Stainless Steel
Pin	Stainless Steel

Capacities	
Water Pressure psig (bar)	Air Discharge to Atmosphere cu. ft./min. (S(m³/min))
100 (6.9)	10 (.28)
150 (10.3)	15 (.42)
200 (13.8)	20 (.57)
250 (17.3)	25 (.70)

RATINGS

Model	NPT Bottom Inlet Size in.	NPT Side Inlet Size in.	NPT Outlet Size in.	Maximum Operating Pressure psig (bar)	Maximum Hydrostatic Pressure psig (bar)	Maximum Operating Temperature °F (°C)
792	3/4	1/2	1/2	250 (17.3)	350 (24.2)	300 (149)

SCHEDULE

MODEL NUMBER	PART NUMBER	TAGGING INFORMATION	QTY.
792	401494		



Xylem Inc.
8200 N. Austin Avenue
Morton Grove, Illinois 60053
Phone: (847) 966-3700
Fax: (847) 965-8379
www.bellgossett.com