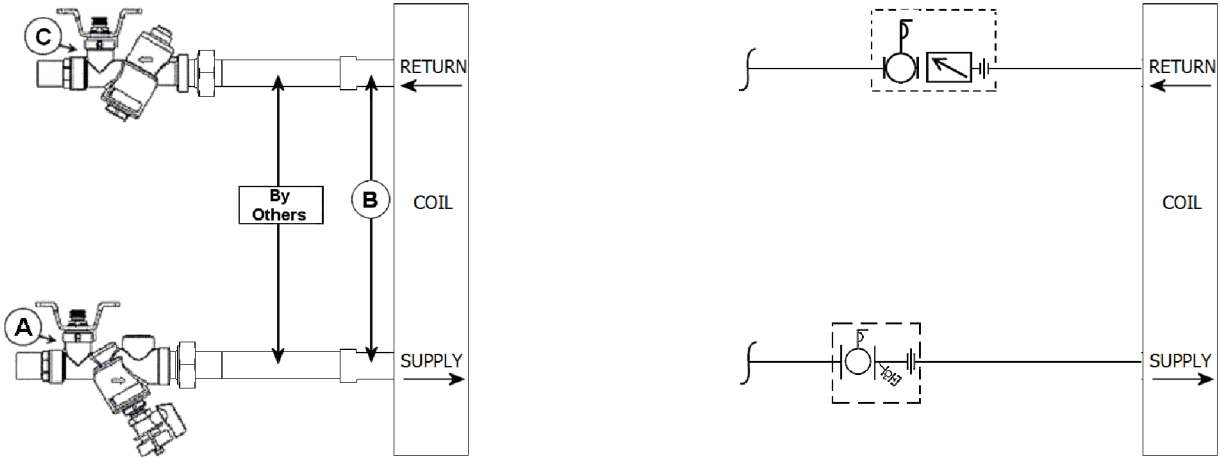


JOB: UNIT TAG: ENGINEER: CONTRACTOR:	REPRESENTATIVE: ORDER NO. SUBMITTED BY: APPROVED BY:	DATE: DATE: DATE:
---	---	--

Circuit Sentry™ ACLY VALVE KIT



DESCRIPTION

The Bell & Gossett ACLY Valve Kit is a packaged and partially pre-assembled collection of common components required for commissioning a terminal unit. Temperature control valves, piping and coils are not supplied by B&G.

The ACLY Kit consists of:

Balloon	Part Number	Inlet Connection	Outlet Connection	Description
A				Model UBYL - Combination Wye Strainer and Shut Off Valve for Low Flow Applications with one Pressure / Temperature Port, Drain Valve, Tailpiece and Union End.
B				Connection Size for Coil/Terminal
C				Model ACL - Circuit Sentry™ - Automatic Flow Limiting, Commissioning and Shut-off Valve for Low Flow Applications with Adjustable Diaphragm Flow Cartridge, one Pressure / Temperature Port, Tailpiece, and Union End.

