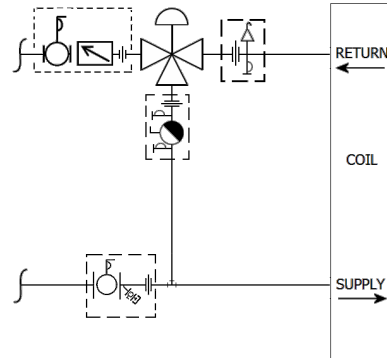
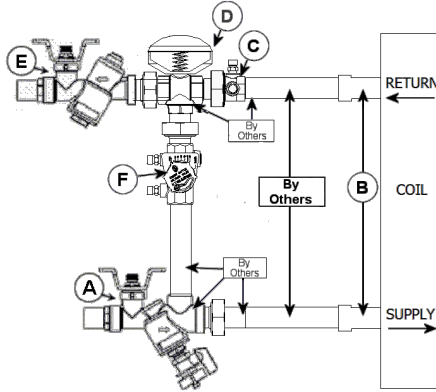


JOB:	REPRESENTATIVE:	
UNIT TAG:	ORDER NO.:	DATE:
ENGINEER:	SUBMITTED BY:	DATE:
CONTRACTOR:	APPROVED BY:	DATE:

Circuit Sentry™ ACL3YMC VALVE KIT



DESCRIPTION

The Bell & Gossett ACL3YMC Valve Kit is a packaged and partially pre-assembled collection of common components required for commissioning a terminal unit. Temperature control valves, piping and coils are not supplied by B&G.

The ACL3YMC Kit consists of:

Balloon	Part Number	Inlet Connection	Outlet Connection	Description
A				Model UBYL - Combination Wye Strainer and Shut Off Valve for Low Flow Applications with one Pressure / Temperature Port, Drain Valve, Tailpiece and Union End.
B				Connection Size for Coil/Terminal
C				Model UA - Union Accessory with one Pressure / Temperature Port, Manual Air Vent, Tailpiece and Union End.
D				Connection Size for Two-Way Temperature Control Valve (by others)
E				Model ACL - Circuit Sentry™ - Automatic Flow Limiting, Commissioning and Shut-off Valve for Low Flow Applications with Adjustable Diaphragm Flow Cartridge, one Pressure / Temperature Port, Tailpiece, and Union End.
F				Model MC - Circuit Setter Plus® - Calibrated Balance, Commissioning and Shut Off Valve with two Pressure / Temperature Ports, Tailpiece and Union End.

Xylem Inc.
8200 N. Austin Avenue
Morton Grove, IL 60053
Phone: (847)966-3700
Fax: (847)965-8379
www.bellgossett.com

