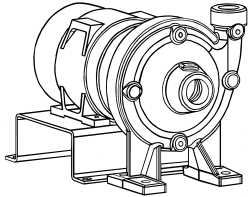


JOB: UNIT TAG: ENGINEER: CONTRACTOR:	REPRESENTATIVE: ORDER NO.: SUBMITTED BY: APPROVED BY:	DATE: DATE: DATE:
---	--	--



1.25AD

Series e-1532

Close-Coupled Centrifugal Pumps

SPECIFICATIONS

FLOW _____ HEAD _____

HP _____ RPM _____

VOLTS _____

CYCLE _____ PHASE _____

ENCLOSURE _____

APPROX. WEIGHT _____

SPECIALS _____

MATERIALS OF CONSTRUCTION

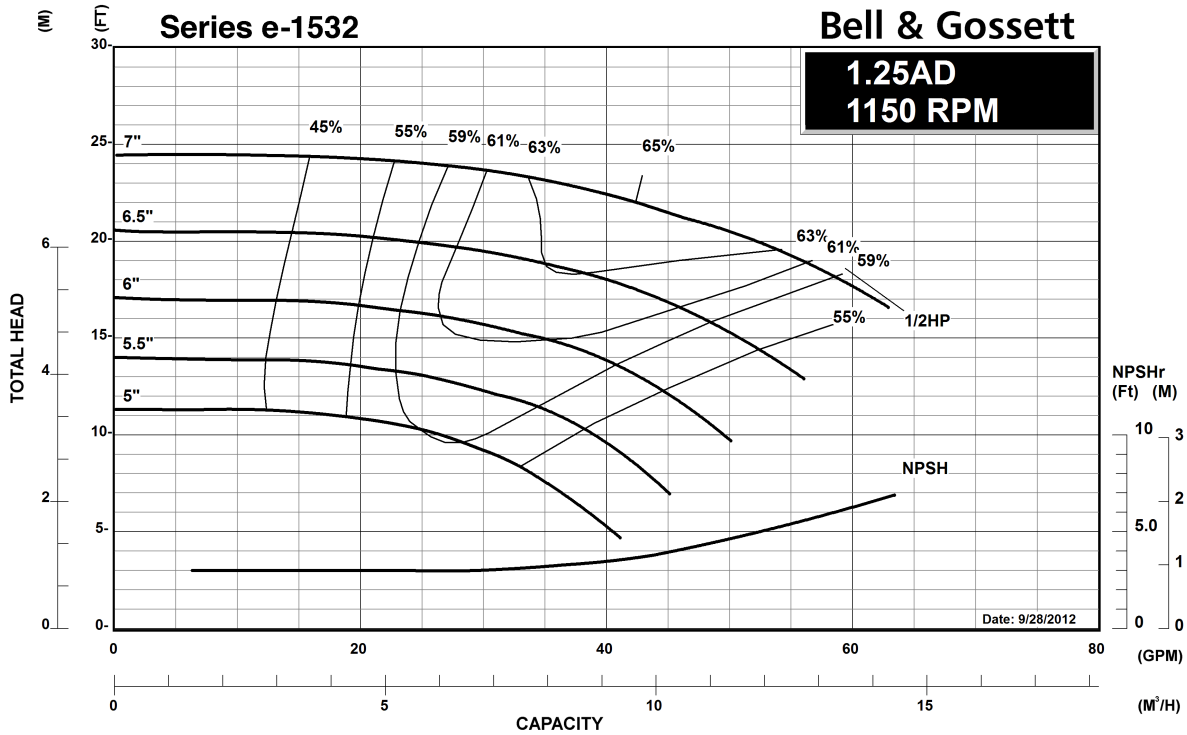
Stainless Steel Fitted

MAXIMUM WORKING PRESSURE

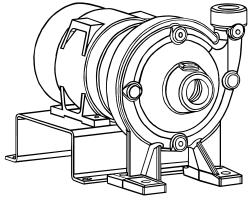
175 psi (12 bar) W.P.

TYPE OF SEAL

- Standard Seal (Buna-Carbon/Ceramic)
- F Standard Seal w/ Flush Line (Buna-Carbon/Ceramic)
- S Stuffing Box Construction w/ Flushed Mechanical Single Seal (EPR-Tungsten Carbide/Carbon)
- PF Stuffing Box Construction w/ Flushed Packing (Graphite Impregnated Teflon)



JOB: UNIT TAG: ENGINEER: CONTRACTOR:	REPRESENTATIVE: ORDER NO.: SUBMITTED BY: APPROVED BY:	DATE: DATE: DATE:
---	--	--



1.25AD

Series e-1532

Close-Coupled Centrifugal Pumps

SPECIFICATIONS

FLOW _____ HEAD _____
 HP _____ RPM _____
 VOLTS _____
 CYCLE _____ PHASE _____
 ENCLOSURE _____
 APPROX. WEIGHT _____
 SPECIALS _____

MATERIALS OF CONSTRUCTION

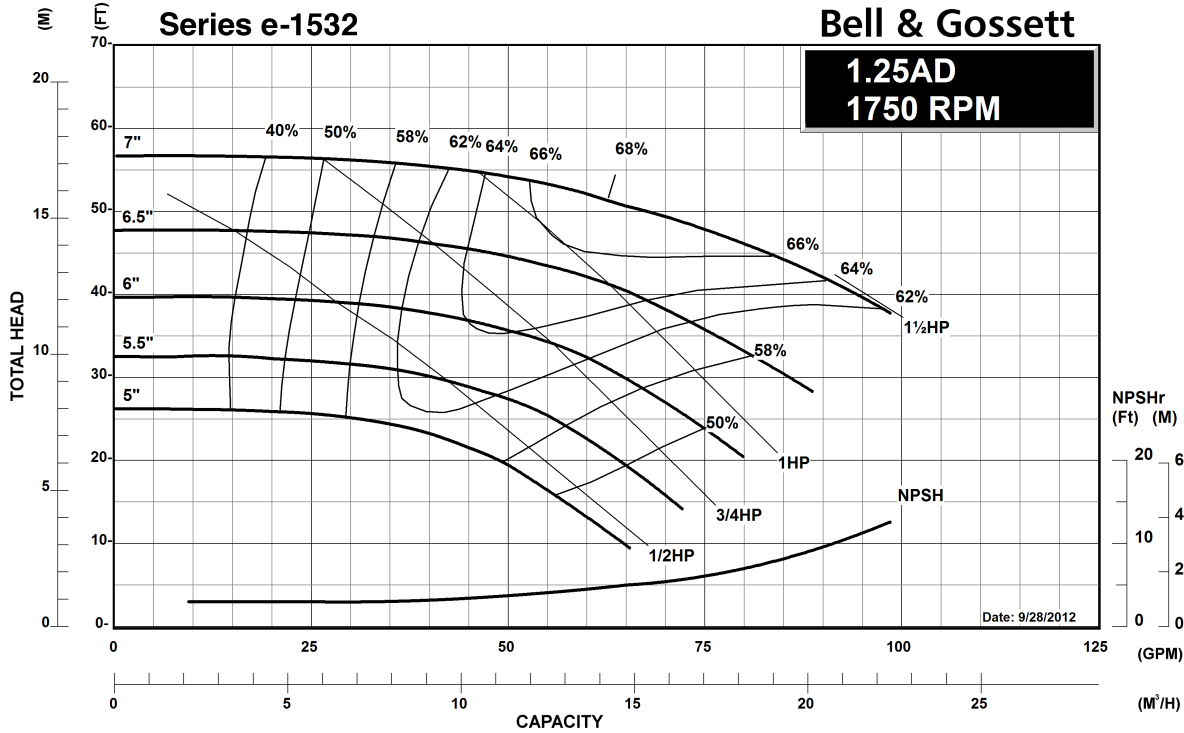
Stainless Steel Fitted

MAXIMUM WORKING PRESSURE

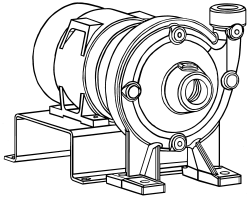
175 psi (12 bar) W.P.

TYPE OF SEAL

- Standard Seal (Buna-Carbon/Ceramic)
- F Standard Seal w/ Flush Line (Buna-Carbon/Ceramic)
- S Stuffing Box Construction w/ Flushed Mechanical Single Seal (EPR-Tungsten Carbide/Carbon)
- PF Stuffing Box Construction w/ Flushed Packing (Graphite Impregnated Teflon)



JOB: UNIT TAG: ENGINEER: CONTRACTOR:	REPRESENTATIVE: ORDER NO.: SUBMITTED BY: APPROVED BY:	DATE: DATE: DATE:
---	--	--



1.25AD

Series e-1532

Close-Coupled Centrifugal Pumps

SPECIFICATIONS

FLOW _____ HEAD _____
 HP _____ RPM _____
 VOLTS _____
 CYCLE _____ PHASE _____
 ENCLOSURE _____
 APPROX. WEIGHT _____
 SPECIALS _____

MATERIALS OF CONSTRUCTION

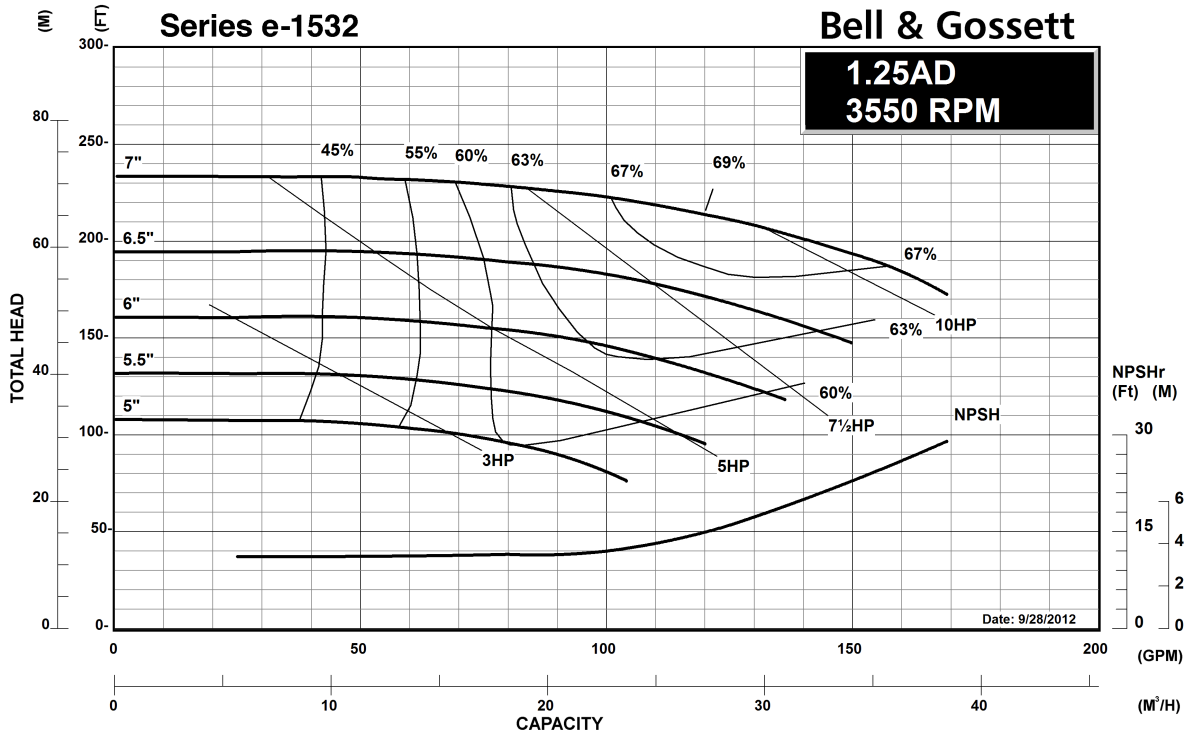
Stainless Steel Fitted

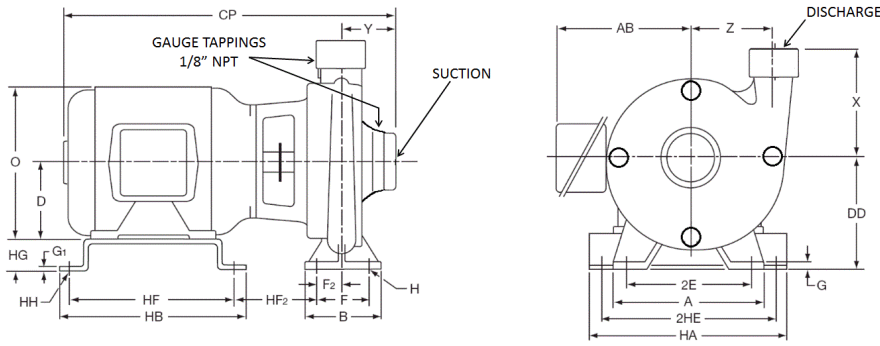
MAXIMUM WORKING PRESSURE

175 psi (12 bar) W.P.

TYPE OF SEAL

- Standard Seal (Buna-Carbon/Ceramic)
- F Standard Seal w/ Flush Line (Buna-Carbon/Ceramic)
- S Stuffing Box Construction w/ Flushed Mechanical Single Seal (EPR-Tungsten Carbide/Carbon)
- PF Stuffing Box Construction w/ Flushed Packing (Graphite Impregnated Teflon)





PUMP DIMENSIONS - INCHES (MM)		
X	Y	Z
5.00 (127)	3.25 (83)	4.50 (114)

NOZZLE SIZES	
Discharge	1-1/4" N.P.T.
Suction	1-1/2" N.P.T.

DIMENSIONS - INCHES (mm)

STANDARD SEAL

MOTOR FRAME	A	AB	HB	CP MAX	D	HF	G	G1	H	HH	HA	F2	2E	2HE	HF2 MAX	B	F	O	HG	DD
143JM	8.00 (203)	7.00 (178)	10.88 (276)	18.88 (479)	3.50 (89)	9.63 (244)	0.63 (16)	0.19 (5)	0.63 (16)	0.50 (13)	11.00 (279)	1.37 (35)	6.50 (165)	9.75 (248)	3.81 (97)	5.00 (127)	3.00 (76)	7.25 (184)	3.50 (89)	7.00 (178)
145JM	8.00 (203)	7.00 (178)	10.88 (276)	18.88 (479)	3.50 (89)	9.63 (244)	0.63 (16)	0.19 (5)	0.63 (16)	0.50 (13)	11.00 (279)	1.37 (35)	6.50 (165)	9.75 (248)	3.81 (97)	5.00 (127)	3.00 (76)	7.25 (184)	3.50 (89)	7.00 (178)
182JM	8.00 (203)	8.50 (216)	10.50 (267)	21.75 (552)	4.50 (114)	9.25 (235)	0.63 (16)	0.19 (5)	0.63 (16)	0.50 (13)	13.63 (346)	1.37 (35)	6.50 (165)	12.50 (318)	5.00 (127)	5.00 (127)	3.00 (76)	9.38 (238)	2.50 (64)	7.00 (178)
184JM	8.00 (203)	8.50 (216)	10.50 (267)	21.75 (552)	4.50 (114)	9.25 (235)	0.63 (16)	0.19 (5)	0.63 (16)	0.50 (13)	13.63 (346)	1.37 (35)	6.50 (165)	12.50 (318)	5.00 (127)	5.00 (127)	3.00 (76)	9.38 (238)	2.50 (64)	7.00 (178)
213JM	8.00 (203)	10.75 (273)	12.00 (305)	24.00 (610)	5.25 (133)	10.75 (273)	0.63 (16)	0.19 (5)	0.63 (16)	0.50 (13)	13.63 (346)	1.37 (35)	6.50 (165)	12.50 (318)	5.87 (149)	5.00 (127)	3.00 (76)	11.13 (283)	1.75 (44)	7.00 (178)
215JM	8.00 (203)	10.75 (273)	12.00 (305)	25.50 (648)	5.25 (133)	10.75 (273)	0.63 (16)	0.19 (5)	0.63 (16)	0.50 (13)	13.63 (346)	1.37 (35)	6.50 (165)	12.50 (318)	5.87 (149)	5.00 (127)	3.00 (76)	11.13 (283)	1.75 (44)	7.00 (178)

DIMENSIONS - INCHES (mm)

STUFFING BOX

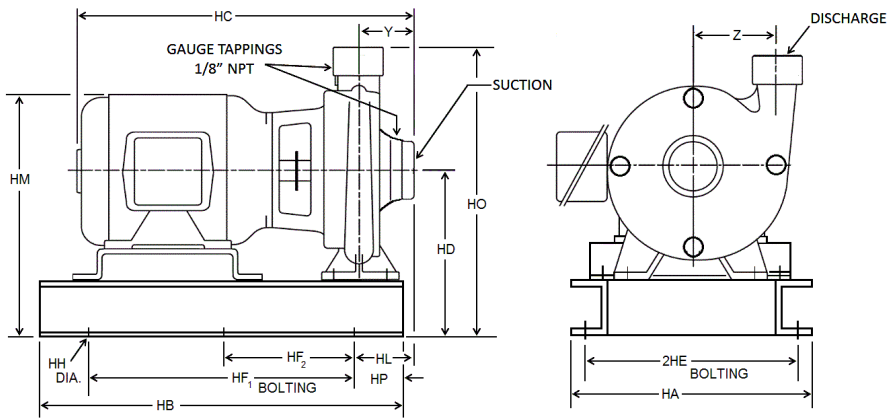
MOTOR FRAME	A	AB	HB	CP MAX	D	HF	G	G1	H	HH	HA	F2	2E	2HE	HF2 MAX	B	F	O	HG	DD
143JP	8.00 (203)	7.00 (178)	10.88 (276)	22.00 (559)	3.50 (89)	9.63 (244)	0.63 (16)	0.19 (5)	0.63 (16)	0.50 (13)	11.00 (279)	1.37 (35)	6.50 (165)	9.75 (248)	6.93 (176)	5.00 (127)	3.00 (76)	7.25 (184)	3.50 (89)	7.00 (178)
145JP	8.00 (203)	7.00 (178)	10.88 (276)	22.00 (559)	3.50 (89)	9.63 (244)	0.63 (16)	0.19 (5)	0.63 (16)	0.50 (13)	11.00 (279)	1.37 (35)	6.50 (165)	9.75 (248)	6.93 (176)	5.00 (127)	3.00 (76)	7.25 (184)	3.50 (89)	7.00 (178)
182JP	8.00 (203)	8.50 (216)	10.50 (267)	24.88 (632)	4.50 (114)	9.25 (235)	0.63 (16)	0.19 (5)	0.63 (16)	0.50 (13)	13.63 (346)	1.37 (35)	6.50 (165)	12.50 (318)	8.12 (206)	5.00 (127)	3.00 (76)	9.38 (238)	2.50 (64)	7.00 (178)
184JP	8.00 (203)	8.50 (216)	10.50 (267)	24.88 (632)	4.50 (114)	9.25 (235)	0.63 (16)	0.19 (5)	0.63 (16)	0.50 (13)	13.63 (346)	1.37 (35)	6.50 (165)	12.50 (318)	8.12 (206)	5.00 (127)	3.00 (76)	9.38 (238)	2.50 (64)	7.00 (178)

Dimensions are subject to change. Not to be used for construction purposes unless certified.

Xylem Inc.
 8200 N. Austin Avenue
 Morton Grove, IL 60053
 Phone: (847)966-3700
 Fax: (847)965-8379
 www.bellgossett.com



Bell & Gossett is a trademark of Xylem Inc. or one of its subsidiaries.
 © 2013 Xylem Inc.



PUMP DIMENSIONS - INCHES (MM)	
Y	Z
3.25 (83)	4.50 (114)

NOZZLE SIZES	
Discharge	1-1/4" N.P.T.
Suction	1-1/2" N.P.T.

DIMENSIONS - INCHES (mm)

STANDARD SEAL

MOTOR FRAME	HA	HB	HC MAX	HD	2HE	HF1	HF2	HH	HL	HM MAX	HO	HP
143JM	12.00 (305)	28.75 (730)	18.88 (479)	9.75 (248)	10.25 (260)	22.50 (572)	-	0.75 (19)	3.13 (79)	13.50 (343)	14.75 (375)	3.00 (76)
145JM	12.00 (305)	28.75 (730)	18.88 (479)	9.75 (248)	10.25 (260)	22.50 (572)	-	0.75 (19)	3.13 (79)	13.50 (343)	14.75 (375)	3.00 (76)
182JM	14.63 (371)	31.00 (787)	21.75 (552)	9.75 (248)	12.88 (327)	25.00 (635)	-	0.75 (19)	1.75 (44)	15.00 (381)	14.75 (375)	3.00 (76)
184JM	14.63 (371)	31.00 (787)	21.75 (552)	9.75 (248)	12.88 (327)	25.00 (635)	-	0.75 (19)	1.75 (44)	15.00 (381)	14.75 (375)	3.00 (76)
213JM	14.63 (371)	31.00 (787)	24.00 (610)	9.75 (248)	12.88 (327)	25.00 (635)	-	0.75 (19)	1.75 (44)	15.63 (397)	14.75 (375)	3.00 (76)
215JM	14.63 (371)	31.00 (787)	25.50 (648)	9.75 (248)	12.88 (327)	25.00 (635)	-	0.75 (19)	1.75 (44)	15.63 (397)	14.75 (375)	3.00 (76)

DIMENSIONS - INCHES (mm)

STUFFING BOX

MOTOR FRAME	HA	HB	HC MAX	HD	2HE	HF1	HF2	HH	HL	HM MAX	HO	HP
143JP	12.00 (305)	28.75 (730)	22.00 (559)	9.75 (248)	10.25 (260)	22.50 (572)	-	0.75 (19)	3.13 (79)	13.50 (343)	14.75 (375)	3.00 (76)
145JP	12.00 (305)	28.75 (730)	22.00 (559)	9.75 (248)	10.25 (260)	22.50 (572)	-	0.75 (19)	3.13 (79)	13.50 (343)	14.75 (375)	3.00 (76)
182JP	14.63 (371)	31.00 (787)	24.88 (632)	9.75 (248)	12.88 (327)	25.00 (635)	-	0.75 (19)	1.75 (44)	15.00 (381)	14.75 (375)	3.00 (76)
184JP	14.63 (371)	31.00 (787)	24.88 (632)	9.75 (248)	12.88 (327)	25.00 (635)	-	0.75 (19)	1.75 (44)	15.00 (381)	14.75 (375)	3.00 (76)

Dimensions are subject to change. Not to be used for construction purposes unless certified.

Xylem Inc.
 8200 N. Austin Avenue
 Morton Grove, IL 60053
 Phone: (847)966-3700
 Fax: (847)965-8379
 www.bellgossett.com



Bell & Gossett is a trademark of Xylem Inc. or one of its subsidiaries.
 © 2013 Xylem Inc.