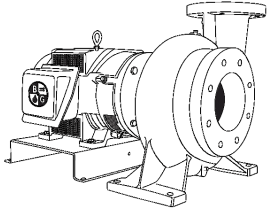


JOB:	REPRESENTATIVE:	
UNIT TAG:	ORDER NO.	DATE:
ENGINEER:	SUBMITTED BY:	DATE:
CONTRACTOR:	APPROVED BY:	DATE:



# 6G

## Series e-1532

### Close-Coupled Centrifugal Pumps

**SPECIFICATIONS**

FLOW \_\_\_\_\_ HEAD \_\_\_\_\_

HP \_\_\_\_\_ RPM \_\_\_\_\_

VOLTS \_\_\_\_\_

CYCLE \_\_\_\_\_ PHASE \_\_\_\_\_

ENCLOSURE \_\_\_\_\_

APPROX. WEIGHT \_\_\_\_\_

SPECIALS \_\_\_\_\_

**MATERIALS OF CONSTRUCTION**

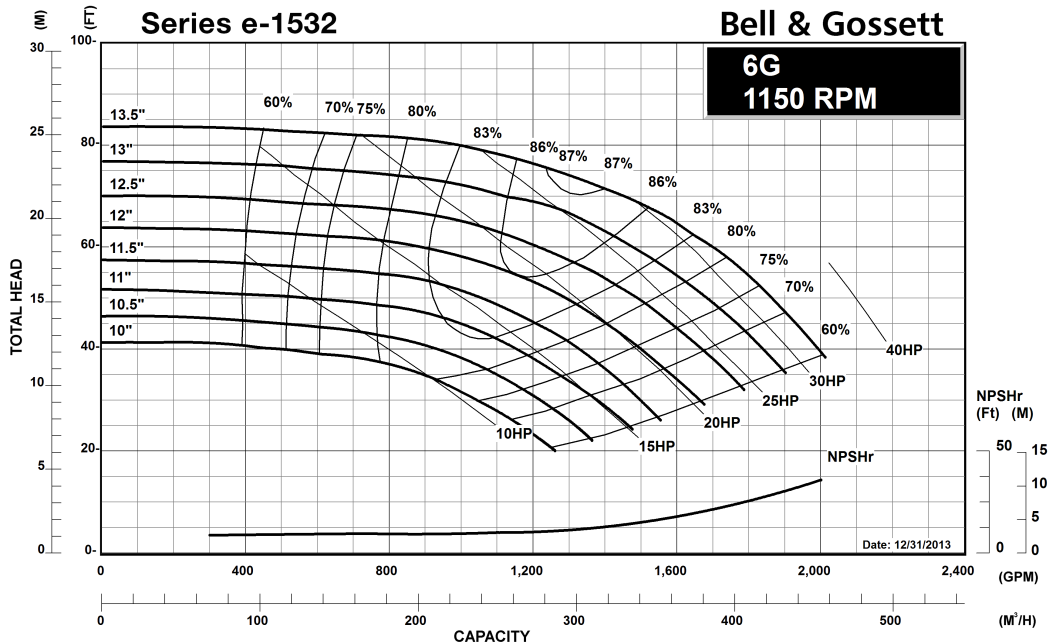
Stainless Steel Fitted

**MAXIMUM WORKING PRESSURE**

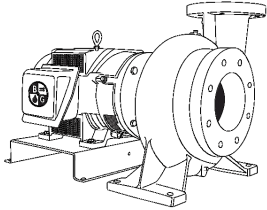
175 psi (12 bar) W.P.  
with 125# ANSI flange drilling

**TYPE OF SEAL**

- Standard Seal (Buna-Carbon/Ceramic)
- F Standard Seal w/ Flush Line (Buna-Carbon/Ceramic)
- S Stuffing Box Construction w/ Flushed Mechanical Single Seal EPR-Tungsten Carbide/Carbon)
- PF Stuffing Box Construction w/ Flushed Packing (Graphite Impregnated Teflon)



JOB:	REPRESENTATIVE:	
UNIT TAG:	ORDER NO.	DATE:
ENGINEER:	SUBMITTED BY:	DATE:
CONTRACTOR:	APPROVED BY:	DATE:



# 6G

## Series e-1532

### Close-Coupled Centrifugal Pumps

**SPECIFICATIONS**

FLOW \_\_\_\_\_ HEAD \_\_\_\_\_

HP \_\_\_\_\_ RPM \_\_\_\_\_

VOLTS \_\_\_\_\_

CYCLE \_\_\_\_\_ PHASE \_\_\_\_\_

ENCLOSURE \_\_\_\_\_

APPROX. WEIGHT \_\_\_\_\_

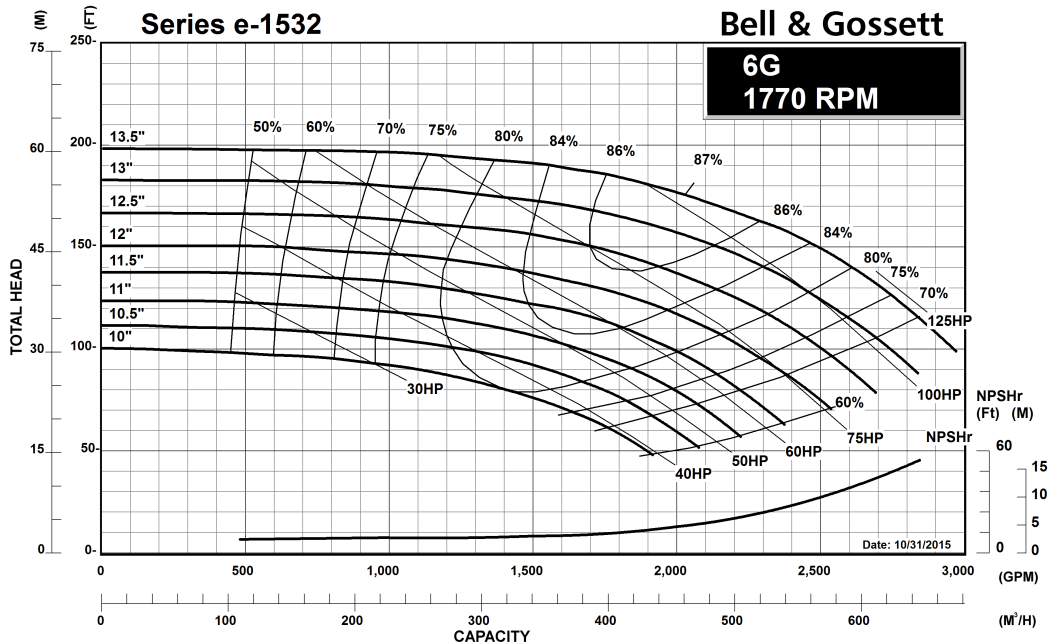
SPECIALS \_\_\_\_\_

**MATERIALS OF CONSTRUCTION**

- Stainless Steel Fitted
- MAXIMUM WORKING PRESSURE**
- 175 psi (12 bar) W.P.  
with 125# ANSI flange drilling

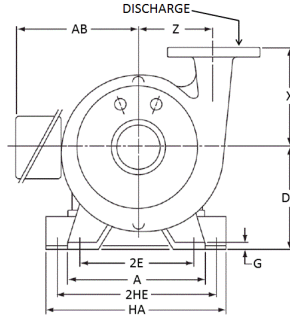
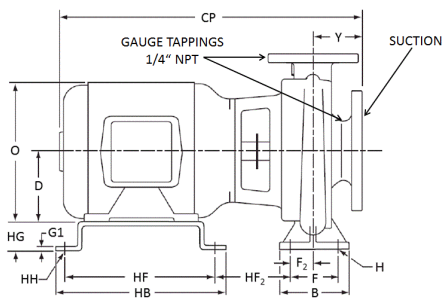
**TYPE OF SEAL**

- Standard Seal (Buna-Carbon/Ceramic)
- F Standard Seal w/ Flush Line (Buna-Carbon/Ceramic)
- S Stuffing Box Construction w/ Flushed Mechanical Single Seal (EPR-Tungsten Carbide/Carbon)
- PF Stuffing Box Construction w/ Flushed Packing (Graphite Impregnated Teflon)



Series e-1532 6G Centrifugal Pump Submittal

B-881.48A



PUMP DIMENSIONS - INCHES (MM)		
X	Y	Z
14.00 (356)	6.50 (165)	9.31 (237)

FLANGE DIMENSIONS - INCHES (MM)						
125# ANSI FLAT FACE	NOMINAL PIPE SIZE	O.D.	THICKNESS	BOLT CIRCLE DIAMETER	NO. OF BOLTS	SIZE OF BOLTS
DISCHARGE	6	12.13 (308)	1.44 (37)	9.50 (241)	8	0.75 (19)
SUCTION	8	14.75 (375)	1.63 (41)	11.75 (298)	8	0.75 (19)

DIMENSIONS - INCHES (mm)

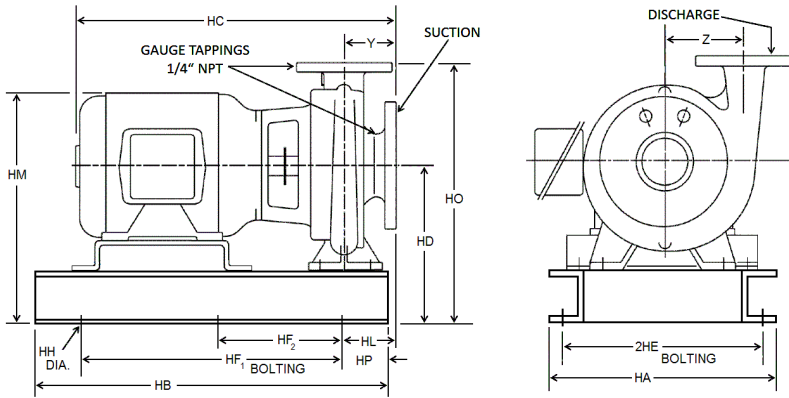
STANDARD SEAL

MOTOR FRAME	A	AB	HB	CP MAX	D	HF	G	G1	H	HH	HA	F2	2E	2HE	HF2 MAX	B	F	O	HG	DD
254JM	23.00 (584)	8.00 (203)	16.13 (410)	28.73 (730)	6.25 (159)	14.88 (378)	1.00 (25)	0.25 (6)	0.88 (22)	0.63 (16)	22.25 (565)	4.50 (114)	21.00 (533)	21.00 (533)	1.67 (42)	11.00 (279)	9.00 (229)	10.88 (276)	5.75 (146)	12.00 (305)
256JM	23.00 (584)	8.94 (227)	16.13 (410)	30.61 (777)	6.25 (159)	14.88 (378)	1.00 (25)	0.25 (6)	0.88 (22)	0.63 (16)	22.25 (565)	4.50 (114)	21.00 (533)	21.00 (533)	3.36 (85)	11.00 (279)	9.00 (229)	12.94 (329)	5.75 (146)	12.00 (305)
284JM	23.00 (584)	11.50 (292)	20.25 (514)	30.80 (782)	7.00 (178)	18.25 (463)	1.00 (25)	0.25 (6)	0.88 (22)	0.63 (16)	23.00 (584)	4.50 (114)	21.00 (533)	21.00 (533)	0.67 (17)	11.00 (279)	9.00 (229)	13.88 (352)	5.00 (127)	12.00 (305)
286JM	23.00 (584)	11.50 (292)	20.25 (514)	32.30 (820)	7.00 (178)	18.25 (463)	1.00 (25)	0.25 (6)	0.88 (22)	0.63 (16)	23.00 (584)	4.50 (114)	21.00 (533)	21.00 (533)	2.17 (55)	11.00 (279)	9.00 (229)	13.88 (352)	5.00 (127)	12.00 (305)
324JM	23.00 (584)	14.62 (371)	19.00 (483)	32.73 (833)	8.00 (203)	17.50 (444)	1.00 (25)	0.25 (6)	0.88 (22)	0.63 (16)	22.50 (572)	4.50 (114)	21.00 (533)	21.00 (533)	2.05 (52)	11.00 (279)	9.00 (229)	15.94 (405)	4.00 (102)	12.00 (305)
326JM	23.00 (584)	14.62 (371)	19.00 (483)	34.23 (869)	8.00 (203)	17.50 (444)	1.00 (25)	0.25 (6)	0.88 (22)	0.63 (16)	22.50 (572)	4.50 (114)	21.00 (533)	21.00 (533)	3.55 (90)	11.00 (279)	9.00 (229)	15.94 (405)	4.00 (102)	12.00 (305)

Dimensions are subject to change. Not to be used for construction purposes unless certified.

Series e-1532 6G Centrifugal Pump Submittal

B-881.48A



PUMP DIMENSIONS - INCHES (MM)	
Y	Z
6.50 (165)	9.31 (237)

FLANGE DIMENSIONS - INCHES (MM)						
125# ANSI FLAT FACE	NOMINAL PIPE SIZE	O.D.	THICKNESS	BOLT CIRCLE DIAMETER	NO. OF BOLTS	SIZE OF BOLTS
DISCHARGE	6	12.13 (308)	1.44 (37)	9.50 (241)	8	0.75 (19)
SUCTION	8	14.75 (375)	1.63 (41)	11.75 (298)	8	0.75 (19)

DIMENSIONS - INCHES (mm)

STANDARD SEAL

MOTOR FRAME	HA	HB	HC MAX	HD	2HE	HF1	HF2	HH	HL	HM MAX	HO	HP
254JM	24.00 (610)	56.00 (1422)	28.73 (730)	16.50 (419)	21.50 (546)	44.00 (1118)	22.00 (559)	1.00 (25)	6.25 (159)	23.38 (594)	30.50 (775)	6.00 (152)
256JM	24.00 (610)	56.00 (1422)	30.61 (777)	16.50 (419)	21.50 (546)	44.00 (1118)	22.00 (559)	1.00 (25)	6.25 (159)	23.38 (594)	30.50 (775)	6.00 (152)
284JM	24.00 (610)	56.00 (1422)	30.80 (782)	16.50 (419)	21.50 (546)	44.00 (1118)	22.00 (559)	1.00 (25)	6.25 (159)	24.50 (622)	30.50 (775)	6.00 (152)
286JM	24.00 (610)	56.00 (1422)	32.30 (820)	16.50 (419)	21.50 (546)	44.00 (1118)	22.00 (559)	1.00 (25)	6.25 (159)	24.50 (622)	30.50 (775)	6.00 (152)
324JM	24.00 (610)	56.00 (1422)	32.73 (831)	16.50 (419)	21.50 (546)	44.00 (1118)	22.00 (559)	1.00 (25)	6.25 (159)	25.63 (651)	30.50 (775)	6.00 (152)
326JM	24.00 (610)	56.00 (1422)	34.23 (869)	16.50 (419)	21.50 (546)	44.00 (1118)	22.00 (559)	1.00 (25)	6.25 (159)	25.63 (651)	30.50 (775)	6.00 (152)

Dimensions are subject to change. Not to be used for construction purposes unless certified.