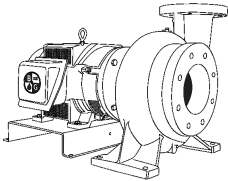


JOB: UNIT TAG: ENGINEER: CONTRACTOR:	REPRESENTATIVE: ORDER NO.: SUBMITTED BY: APPROVED BY:	DATE: DATE: DATE:
---	--	--



5GB

Series e-1532

Close-Coupled Centrifugal Pumps

SPECIFICATIONS

FLOW _____ HEAD _____
 HP _____ RPM _____
 VOLTS _____
 CYCLE _____ PHASE _____
 ENCLOSURE _____
 APPROX. WEIGHT _____
 SPECIALS _____

MATERIALS OF CONSTRUCTION

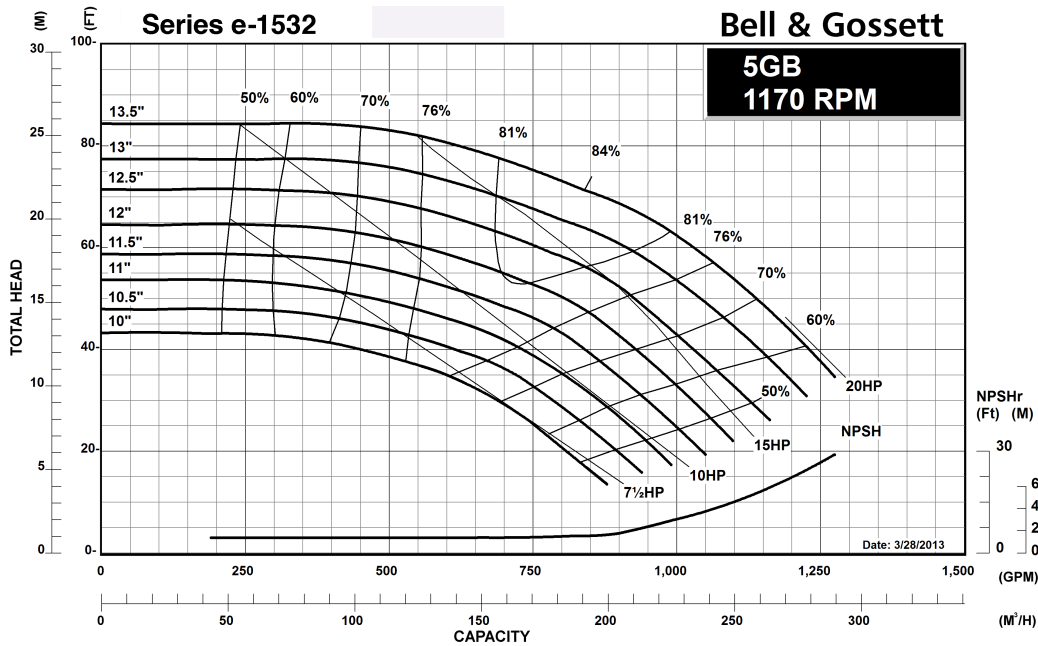
Stainless Steel Fitted

MAXIMUM WORKING PRESSURE

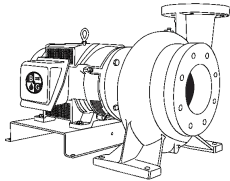
175 psi (12 bar) W.P.
with 125# ANSI flange drilling

TYPE OF SEAL

- Standard Seal (Buna-Carbon/Ceramic)
- F Standard Seal w/ Flush Line (Buna-Carbon/Ceramic)
- S Stuffing Box Construction w/ Flushed Mechanical Single Seal (EPR-Tungsten Carbide/Carbon)
- PF Stuffing Box Construction w/ Flushed Packing (Graphite Impregnated Teflon)



JOB: UNIT TAG: ENGINEER: CONTRACTOR:	REPRESENTATIVE: ORDER NO.: SUBMITTED BY: APPROVED BY:	DATE: DATE: DATE:
---	--	--



5GB

Series e-1532

Close-Coupled Centrifugal Pumps

SPECIFICATIONS

FLOW _____ HEAD _____
 HP _____ RPM _____
 VOLTS _____
 CYCLE _____ PHASE _____
 ENCLOSURE _____
 APPROX. WEIGHT _____
 SPECIALS _____

MATERIALS OF CONSTRUCTION

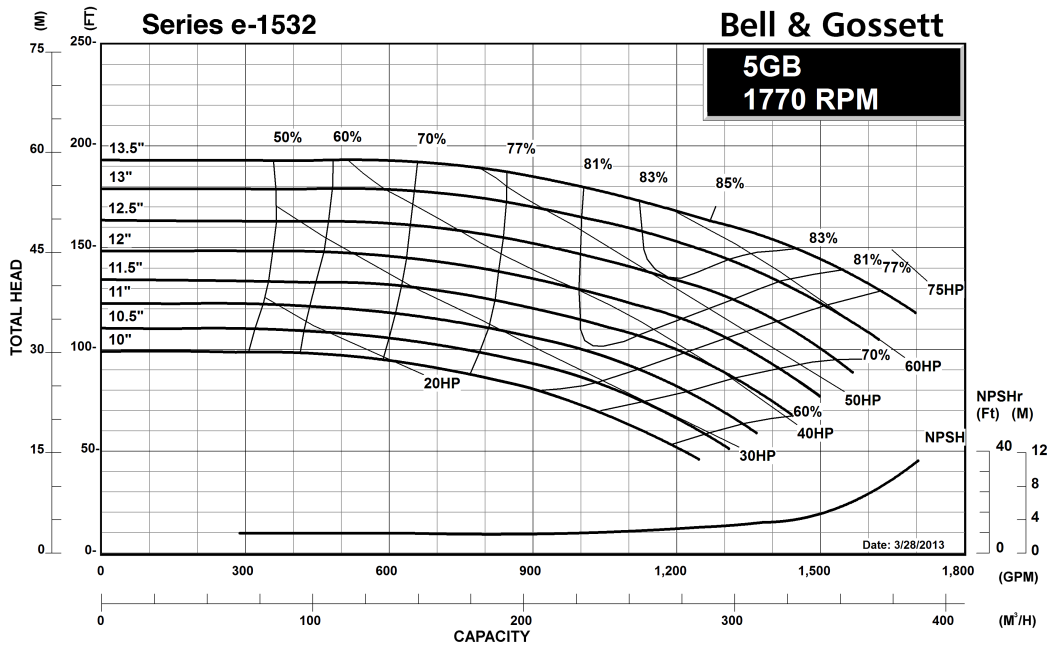
Stainless Steel Fitted

MAXIMUM WORKING PRESSURE

175 psi (12 bar) W.P.
with 125# ANSI flange drilling

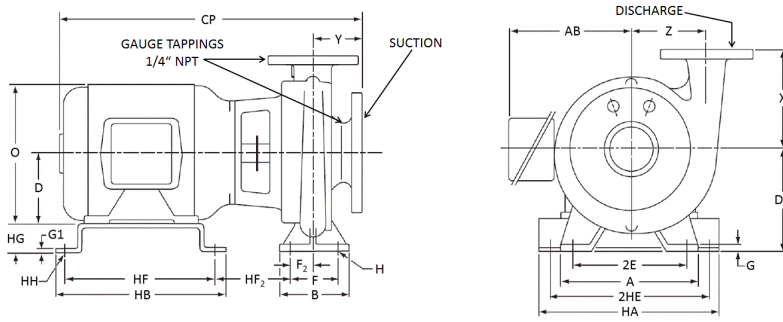
TYPE OF SEAL

- Standard Seal (Buna-Carbon/Ceramic)
- F Standard Seal w/ Flush Line (Buna-Carbon/Ceramic)
- S Stuffing Box Construction w/ Flushed Mechanical Single Seal (EPR-Tungsten Carbide/Carbon)
- PF Stuffing Box Construction w/ Flushed Packing (Graphite Impregnated Teflon)



Series e-1532 5GB Centrifugal Pump Submittal

B-881.46C



PUMP DIMENSIONS - INCHES (MM)		
X	Y	Z
13.00 (330)	6.00 (152)	9.00 (229)

FLANGE DIMENSIONS - INCHES (MM)						
125# ANSI FLAT FACE	NOMINAL PIPE SIZE	O.D.	THICKNESS	BOLT CIRCLE DIAMETER	NO. OF BOLTS	SIZE OF BOLTS
DISCHARGE	5	11.00 (279)	1.44 (37)	8.50 (216)	8	0.75 (19)
SUCTION	6	12.50 (318)	1.50 (38)	9.50 (241)	8	0.75 (19)

DIMENSIONS - INCHES (mm)

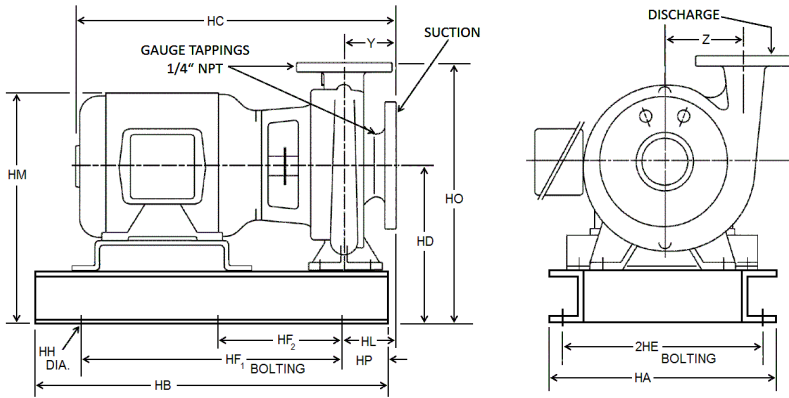
STANDARD SEAL

MOTOR FRAME	A	AB	HB	CP MAX	D	HF	G	G1	H	HH	HA	F2	2E	2HE	HF2 MAX	B	F	O	HG	DD
254JM	23.00 (584)	8.00 (203)	16.13 (410)	27.98 (711)	6.25 (159)	14.88 (378)	1.00 (25)	0.25 (6)	0.88 (22)	0.63 (16)	22.50 (572)	4.19 (106)	21.00 (533)	21.00 (533)	3.05 (77)	11.00 (279)	9.00 (229)	10.88 (276)	5.75 (146)	12.00 (305)
256JM	23.00 (584)	8.94 (227)	16.13 (410)	29.86 (758)	6.25 (159)	14.88 (378)	1.00 (25)	0.25 (6)	0.88 (22)	0.63 (16)	22.50 (572)	4.19 (106)	21.00 (533)	21.00 (533)	3.05 (77)	11.00 (279)	9.00 (229)	12.94 (329)	5.75 (146)	12.00 (305)
284JM	23.00 (584)	11.50 (292)	20.25 (514)	29.97 (761)	7.00 (178)	18.25 (464)	1.00 (25)	0.25 (6)	0.88 (22)	0.63 (16)	23.00 (584)	4.19 (106)	21.00 (533)	21.00 (533)	2.36 (60)	11.00 (279)	9.00 (229)	13.88 (352)	5.00 (127)	12.00 (305)
286JM	23.00 (584)	11.50 (292)	20.25 (514)	31.55 (801)	7.00 (178)	18.25 (464)	1.00 (25)	0.25 (6)	0.88 (22)	0.63 (16)	23.00 (584)	4.19 (106)	21.00 (533)	21.00 (533)	2.36 (60)	11.00 (279)	9.00 (229)	13.88 (352)	5.00 (127)	12.00 (305)
324JM	23.00 (584)	14.06 (357)	19.00 (483)	31.98 (812)	8.00 (203)	17.50 (445)	1.00 (25)	0.25 (6)	0.88 (22)	0.63 (16)	22.50 (572)	4.19 (106)	21.00 (533)	21.00 (533)	3.74 (95)	11.00 (279)	9.00 (229)	15.94 (405)	4.00 (102)	12.00 (305)
326JM	23.00 (584)	14.06 (357)	19.00 (483)	33.48 (850)	8.00 (203)	17.50 (445)	1.00 (25)	0.25 (6)	0.88 (22)	0.63 (16)	22.50 (572)	4.19 (106)	21.00 (533)	21.00 (533)	3.74 (167)	11.00 (279)	9.00 (229)	15.94 (405)	4.00 (102)	12.00 (305)

Dimensions are subject to change. Not to be used for construction purposes unless certified.

Series e-1532 5GB Centrifugal Pump Submittal

B-881.46C



PUMP DIMENSIONS - INCHES (MM)	
Y	Z
6.00 (152)	9.00 (229)

FLANGE DIMENSIONS - INCHES (MM)						
125# ANSI FLAT FACE	NOMINAL PIPE SIZE	O.D.	THICKNESS	BOLT CIRCLE DIAMETER	NO. OF BOLTS	SIZE OF BOLTS
DISCHARGE	5	11.00 (279)	1.44 (37)	8.50 (216)	8	0.75 (19)
SUCTION	6	12.50 (318)	1.50 (38)	9.50 (241)	8	0.75 (19)

DIMENSIONS - INCHES (mm)

STANDARD SEAL

MOTOR FRAME	HA	HB	HC MAX	HD	2HE	HF1	HF2	HH	HL	HM MAX	HO	HP
254JM	24.00 (610)	56.00 (1422)	27.98 (711)	16.50 (419)	21.50 (546)	44.00 (1118)	22.00 (559)	1.00 (25)	5.44 (138)	23.38 (594)	29.50 (749)	6.00 (152)
256JM	24.00 (610)	56.00 (1422)	29.86 (758)	16.50 (419)	21.50 (546)	44.00 (1118)	22.00 (559)	1.00 (25)	5.44 (138)	23.38 (594)	29.50 (749)	6.00 (152)
284JM	24.00 (610)	56.00 (1422)	29.97 (761)	16.50 (419)	21.50 (546)	44.00 (1118)	22.00 (559)	1.00 (25)	5.44 (138)	24.50 (622)	29.50 (749)	6.00 (152)
286JM	24.00 (610)	56.00 (1422)	31.55 (801)	16.50 (419)	21.50 (546)	44.00 (1118)	22.00 (559)	1.00 (25)	5.44 (138)	24.50 (622)	29.50 (749)	6.00 (152)
324JM	24.00 (610)	56.00 (1422)	31.98 (812)	16.50 (419)	21.50 (546)	44.00 (1118)	22.00 (559)	1.00 (25)	5.44 (138)	25.63 (651)	29.50 (749)	6.00 (152)
326JM	24.00 (610)	56.00 (1422)	33.48 (850)	16.50 (419)	21.50 (546)	44.00 (1118)	22.00 (559)	1.00 (25)	5.44 (138)	25.63 (651)	29.50 (749)	6.00 (152)

Dimensions are subject to change. Not to be used for construction purposes unless certified.