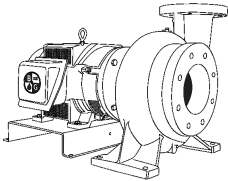


JOB:	REPRESENTATIVE:	
UNIT TAG:	ORDER NO.:	DATE:
ENGINEER:	SUBMITTED BY:	DATE:
CONTRACTOR:	APPROVED BY:	DATE:



2EB

Series e-1532

Close-Coupled Centrifugal Pumps

SPECIFICATIONS

FLOW _____ HEAD _____

HP _____ RPM _____

VOLTS _____

CYCLE _____ PHASE _____

ENCLOSURE _____

APPROX. WEIGHT _____

SPECIALS _____

MATERIALS OF CONSTRUCTION

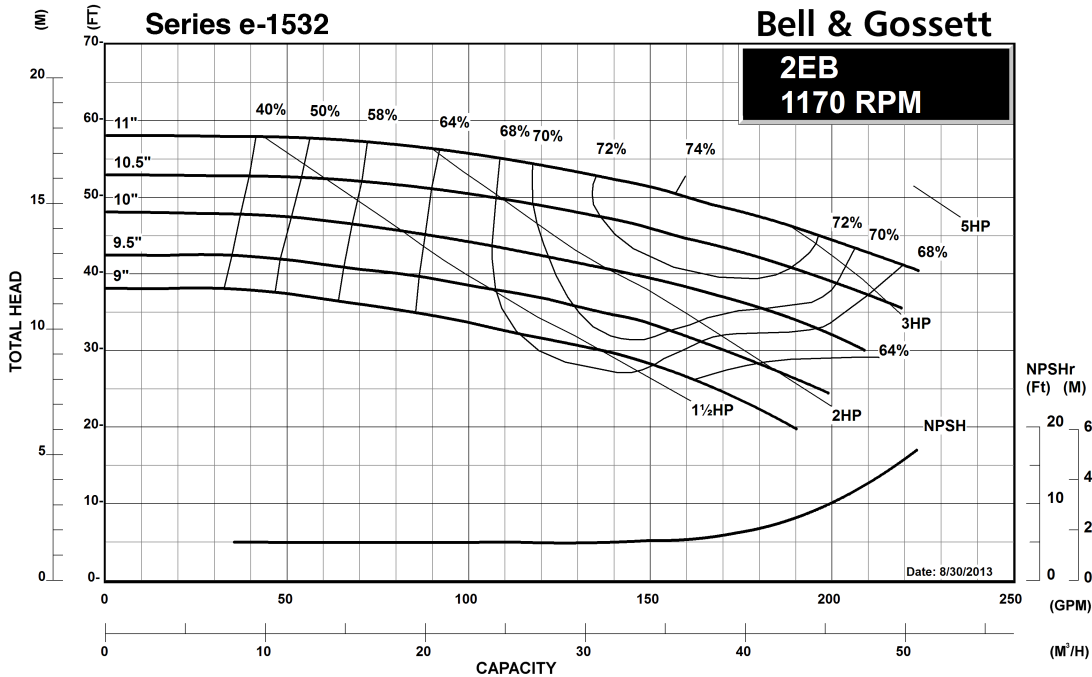
Stainless Steel Fitted

MAXIMUM WORKING PRESSURE

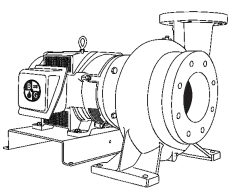
175 psi (12 bar) W.P.
with 125# ANSI flange drilling

TYPE OF SEAL

- Standard Seal (Buna-Carbon/Ceramic)
- F Standard Seal w/ Flush Line (Buna-Carbon/Ceramic)
- S Stuffing Box Construction w/ Flushed Mechanical Single Seal EPR-Tungsten Carbide/Carbon)
- PF Stuffing Box Construction w/ Flushed Packing (Graphite Impregnated Teflon)



JOB:	REPRESENTATIVE:	
UNIT TAG:	ORDER NO.:	DATE:
ENGINEER:	SUBMITTED BY:	DATE:
CONTRACTOR:	APPROVED BY:	DATE:



2EB

Series e-1532

Close-Coupled Centrifugal Pumps

SPECIFICATIONS

FLOW _____ HEAD _____

HP _____ RPM _____

VOLTS _____

CYCLE _____ PHASE _____

ENCLOSURE _____

APPROX. WEIGHT _____

SPECIALS _____

MATERIALS OF CONSTRUCTION

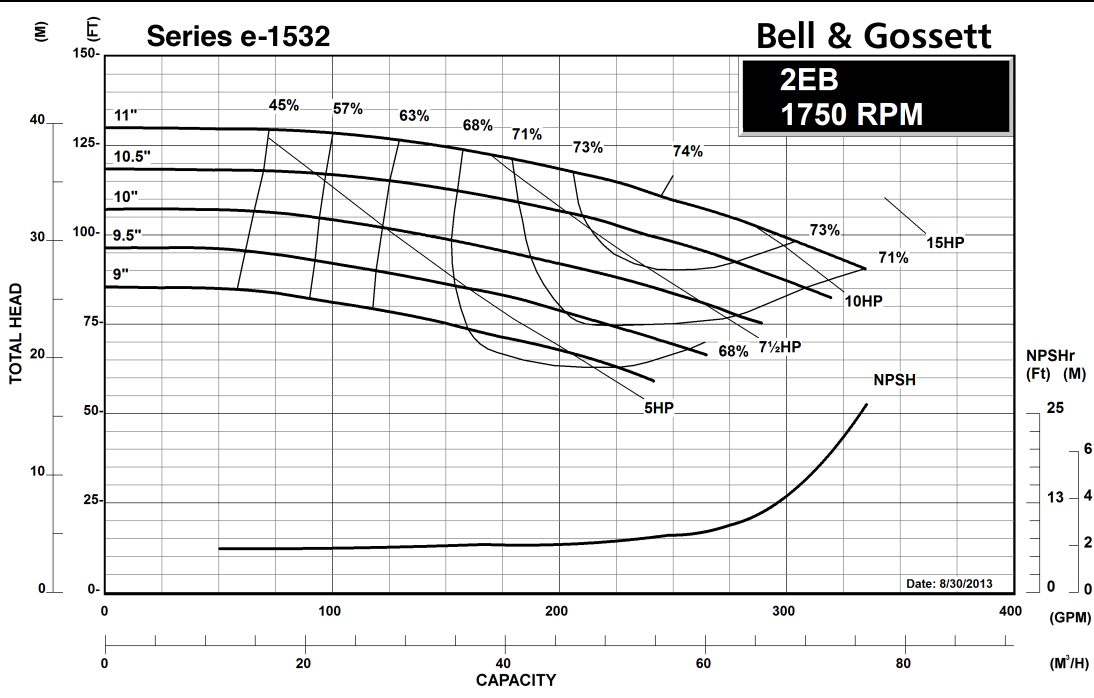
Stainless Steel Fitted

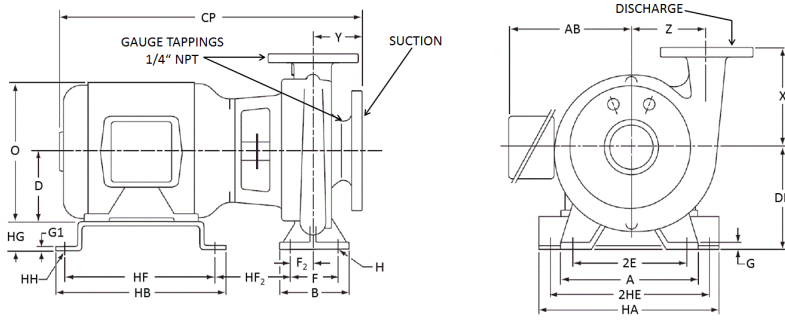
MAXIMUM WORKING PRESSURE

175 psi (12 bar) W.P.
with 125# ANSI flange drilling

TYPE OF SEAL

- Standard Seal (Buna-Carbon/Ceramic)
- F Standard Seal w/ Flush Line (Buna-Carbon/Ceramic)
- S Stuffing Box Construction w/ Flushed Mechanical Single Seal EPR-Tungsten Carbide/Carbon)
- PF Stuffing Box Construction w/ Flushed Packing (Graphite Impregnated Teflon)





PUMP DIMENSIONS - INCHES (MM)		
X	Y	Z
8.00 (203)	5.50 (140)	6.50 (165)

FLANGE DIMENSIONS - INCHES (MM)						
125# ANSI FLAT FACE	NOMINAL PIPE SIZE	O.D	THICKNESS	BOLT CIRCLE DIAMETER	NO. OF BOLTS	SIZE OF BOLTS
DISCHARGE	2	6.50 (165)	0.94 (24)	4.75 (121)	4	0.63 (16)
SUCTION	3	8.25 (210)	1.19 (30)	6.00 (152)	4	0.63 (16)

DIMENSIONS - INCHES (MM)

STANDARD SEAL

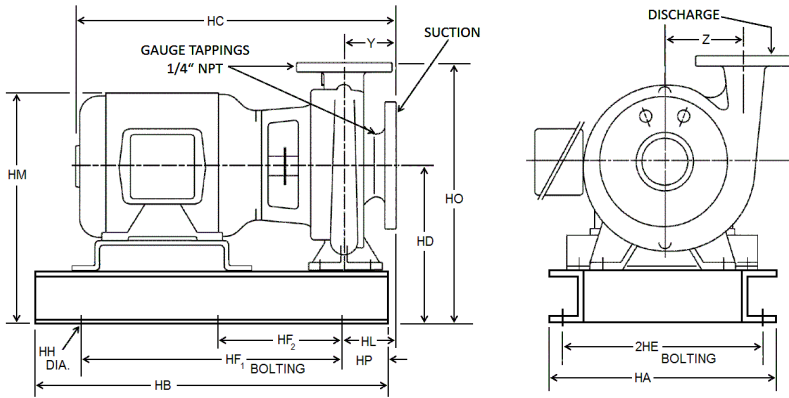
MOTOR FRAME	A	AB	HB	CP MAX	D	HF	G	G1	H	HH	HA	F2	2E	2HE	HF2 MAX	B	F	O	HG	DD
213JM	16.00 (406)	10.75 (273)	12.00 (305)	25.88 (657)	5.25 (133)	10.75 (273)	0.88 (22)	0.19 (5)	0.63 (16)	0.50 (13)	13.63 (346)	2.23 (57)	14.00 (356)	12.50 (318)	4.58 (116)	7.00 (178)	5.00 (127)	11.13 (283)	4.75 (121)	10.00 (254)
215JM	16.00 (406)	10.75 (273)	12.00 (305)	27.38 (695)	5.25 (133)	10.75 (273)	0.88 (22)	0.19 (5)	0.63 (16)	0.50 (13)	13.63 (346)	2.23 (57)	14.00 (356)	12.50 (318)	4.58 (116)	7.00 (178)	5.00 (127)	11.13 (283)	4.75 (121)	10.00 (254)
254JM	16.00 (406)	12.63 (321)	15.50 (394)	30.80 (782)	6.25 (159)	14.25 (362)	0.88 (22)	0.19 (5)	0.63 (16)	0.50 (13)	13.63 (346)	2.23 (57)	14.00 (356)	12.50 (318)	5.25 (133)	7.00 (178)	5.00 (127)	13.13 (333)	3.75 (95)	10.00 (254)

DIMENSIONS - INCHES (MM)

STUFFING BOX

MOTOR FRAME	A	AB	HB	CP MAX	D	HF	G	G1	H	HH	HA	F2	2E	2HE	HF2 MAX	B	F	O	HG	DD
182JP	16.00 (406)	8.50 (216)	10.50 (267)	26.75 (679)	4.50 (114)	9.25 (235)	0.88 (22)	0.19 (5)	0.63 (16)	0.50 (13)	13.63 (346)	2.23 (57)	14.00 (356)	12.50 (318)	6.71 (170)	7.00 (178)	5.00 (127)	9.38 (238)	5.50 (140)	10.00 (254)
184JP	16.00 (406)	8.50 (216)	10.50 (267)	26.75 (679)	4.50 (114)	9.25 (235)	0.88 (22)	0.19 (5)	0.63 (16)	0.50 (13)	13.63 (346)	2.23 (57)	14.00 (356)	12.50 (318)	6.71 (170)	7.00 (178)	5.00 (127)	9.38 (238)	5.50 (140)	10.00 (254)
213JP	16.00 (406)	10.75 (273)	12.00 (305)	29.13 (740)	5.25 (133)	10.75 (273)	0.88 (22)	0.19 (5)	0.63 (16)	0.50 (13)	13.63 (346)	2.23 (57)	14.00 (356)	12.50 (318)	7.83 (199)	7.00 (178)	5.00 (127)	11.13 (283)	4.75 (121)	10.00 (254)
215JP	16.00 (406)	10.75 (273)	12.00 (305)	30.63 (778)	5.25 (133)	10.75 (273)	0.88 (22)	0.19 (5)	0.63 (16)	0.50 (13)	13.63 (346)	2.23 (57)	14.00 (356)	12.50 (318)	7.83 (199)	7.00 (178)	5.00 (127)	11.13 (283)	4.75 (121)	10.00 (254)
254JP	16.00 (406)	12.63 (321)	15.50 (394)	33.63 (854)	6.25 (159)	14.25 (362)	0.88 (22)	0.19 (5)	0.63 (16)	0.50 (13)	13.63 (346)	2.23 (57)	14.00 (356)	12.50 (318)	8.08 (205)	7.00 (178)	5.00 (127)	13.13 (333)	3.75 (95)	10.00 (254)

Dimensions are subject to change. Not to be used for construction purposes unless certified.



PUMP DIMENSIONS - INCHES (MM)	
Y	Z
5.50 (140)	6.50 (165)

FLANGE DIMENSIONS - INCHES (MM)						
125# ANSI FLAT FACE	NOMINAL PIPE SIZE	O.D.	THICKNESS	BOLT CIRCLE DIAMETER	NO. OF BOLTS	SIZE OF BOLTS
DISCHARGE	2	6.50 (165)	0.94 (24)	4.75 (121)	4	0.63 (16)
SUCTION	3	8.25 (210)	1.19 (30)	6.00 (152)	4	0.63 (16)

DIMENSIONS - INCHES (mm)

STANDARD SEAL

MOTOR FRAME	HA	HB	HC MAX	HD	2HE	HF1	HF2	HH	HL	HM MAX	HO	HP
213JM	16.00 (406)	42.25 (1073)	25.88 (657)	14.00 (356)	14.00 (356)	32.25 (819)	16.13 (410)	0.88 (22)	6.50 (165)	19.88 (505)	22.00 (559)	5.00 (127)
215JM	16.00 (406)	42.25 (1073)	27.38 (695)	14.00 (356)	14.00 (356)	32.25 (819)	16.13 (410)	0.88 (22)	6.50 (165)	19.88 (505)	22.00 (559)	5.00 (127)
254JM	16.00 (406)	42.25 (1073)	30.80 (782)	14.00 (356)	14.00 (356)	32.25 (819)	16.13 (410)	0.88 (22)	6.50 (165)	20.88 (530)	22.00 (559)	5.00 (127)

DIMENSIONS - INCHES (mm)

STUFFING BOX

MOTOR FRAME	HA	HB	HC MAX	HD	2HE	HF1	HF2	HH	HL	HM MAX	HO	HP
182JP	16.00 (406)	42.25 (1073)	26.75 (679)	14.00 (356)	14.00 (356)	32.25 (819)	16.13 (410)	0.88 (22)	6.50 (165)	19.25 (489)	22.00 (559)	5.00 (127)
184JP	16.00 (406)	42.25 (1073)	26.75 (679)	14.00 (356)	14.00 (356)	32.25 (819)	16.13 (410)	0.88 (22)	6.50 (165)	19.25 (489)	22.00 (559)	5.00 (127)
213JP	16.00 (406)	42.25 (1073)	29.13 (740)	14.00 (356)	14.00 (356)	32.25 (819)	16.13 (410)	0.88 (22)	6.50 (165)	19.88 (505)	22.00 (559)	5.00 (127)
215JP	16.00 (406)	42.25 (1073)	30.63 (778)	14.00 (356)	14.00 (356)	32.25 (819)	16.13 (410)	0.88 (22)	6.50 (165)	19.88 (505)	22.00 (559)	5.00 (127)
254JP	16.00 (406)	42.25 (1073)	33.63 (854)	14.00 (356)	14.00 (356)	32.25 (819)	16.13 (410)	0.88 (22)	6.50 (165)	20.88 (530)	22.00 (559)	5.00 (127)

Dimensions are subject to change. Not to be used for construction purposes unless certified.