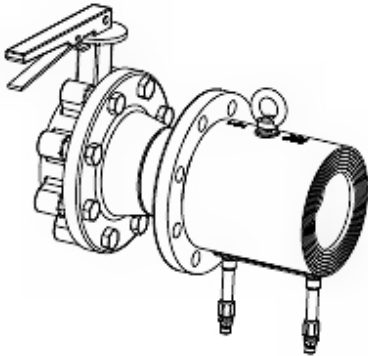


JOB:	REPRESENTATIVE:	
UNIT TAG:	ORDER NO.	DATE:
ENGINEER:	SUBMITTED BY:	DATE:
CONTRACTOR:	APPROVED BY:	DATE:



Model WVB Combination Wafer with Butterfly Valve

DESCRIPTION

The Bell & Gossett Model WVB is a combination Wafer Valve and Butterfly Valve. The Wafer valve is an automatic flow limiting and commissioning valve for use in HVAC systems. The Butterfly Valve⁺ is a steel throttling and shut off valve. Model WVB Wafer with Butterfly Valves are furnished with flow cartridges, two 4" pressure/temperature ports, and an ID tag for commissioning. A lifting lug is provided on valve sizes 4" thru 20". Also includes hex rods and nuts required to connect to 125# or 150# ANSI flanges.

CONSTRUCTION

Wafer Valve
Body: Ductile iron
DIN 1693-CGG-40
O-Ring: EPDM
Diaphragm: Reinforced EPDM
Spring: Stainless Steel

Butterfly Valve
Body: Nodular Cast Steel
ASTM: A536 65-45-12
Stem: Stainless Steel
Disc: Aluminum/Bronze
Liner: EPDM

Spool Piece
Body: Cast Iron
Gasket: Non-Asbestos

MAXIMUM WORKING PRESSURE

150 psig (1,034 kPa)

TEMPERATURE RANGE

-4°F (-20°C) to 212°F (100°C)

CONTROL RANGE

2 psi (14 kPa) to 60psi (414kPa)

ACCURACY

+/-5%

MINIMUM FLOW

15 gpm (0.95L/s)

MAXIMUM FLOW

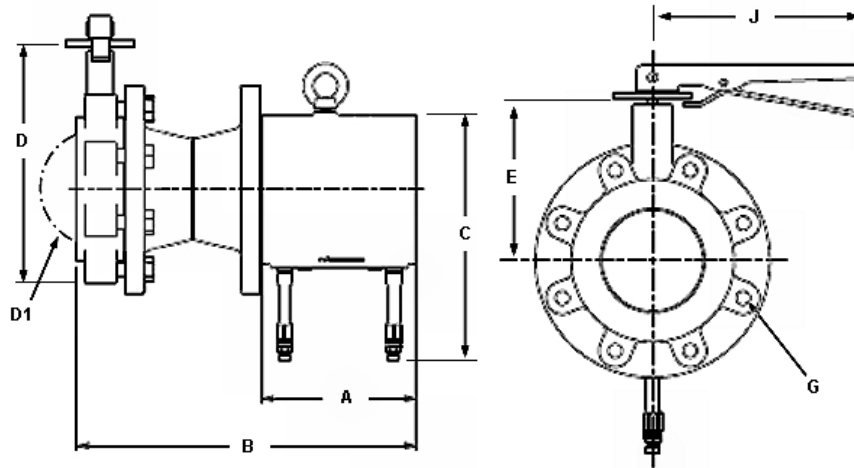
2,700 gpm (170.3L/s)

***Suitable For Dead-End Service**

SCHEDULE

MODEL NUMBER	TAGGING INFORMATION	QUANTITY
WVB-2-1/2		
WVB-3		
WVB-4		
WVB-5		
WVB-6		
WVB-8		
WVB-10		
WVB-12		

Note: 4" thru 12" models include accessory spool piece and gasket between the Wafer Valve and Butterfly Valve, as well as cap screws to connect the spool piece to the Butterfly Valve.



DIMENSIONS AND WEIGHTS

Size(mm)	Model No.	DIMENSIONS* IN INCHES (mm)								MAX Number Of Cartridges per Valve	Maximum Flow GPM (L/s)	Approx. Wt.w/ Max Cartridges lbs.(kg)
		A**	B	C	D	D1	E	G	J			
2-1/2" (63.5)	WVB-2-1/2	6.7 (170)	8.5 (216)	9.3 (237)	10.4 (264)	2.5 (64)	6.9 (175)	5/8"	10.5 (267)	1	180 (11.4)	23 (10)
3" (76.2)	WVB-3	6.7 (170)	8.5 (216)	9.8 (249)	10.9 (277)	3.1 (79)	7.1 (180)	5/8"	10.5 (267)	1	180 (11.4)	26 (12)
4" (101.6)	WVB-4	6.7 (170)	15.0 (380)	11.1 (281)	12.4 (315)	4.0 (102)	7.9 (201)	5/8"	10.5 (267)	2	360 (22.7)	71 (32)
5" (127.0)	WVB-5	6.7 (170)	16.0 (406)	12.2 (311)	13.4 (340)	4.8 (122)	8.4 (213)	3/4"	10.5 (267)	3	540 (34.1)	91 (41)
6" (152.4)	WVB-6	6.7 (170)	16.1 (410)	13.1 (334)	14.4 (366)	6.1 (155)	8.9 (226)	3/4"	10.5 (267)	4	720 (45.4)	106 (48)
8" (203.2)	WVB-8	6.7 (170)	17.4 (441)	15.3 (389)	17.1 (434)	8.0 (203)	10.2 (259)	3/4"	***	7	1,260 (79.5)	174 (79)
10" (254.0)	WVB-10	6.7 (170)	17.6 (446)	17.3 (440)	19.5 (495)	9.8 (249)	11.5 (292)	7/8"	***	12	2,160 (136.3)	233 (106)
12" (304.8)	WVB-12	6.7 (170)	19.0 (481)	19.7 (501)	22.8 (579)	12.2 (310)	13.3 (338)	7/8"	***	15	2,700 (170.3)	340 (154)

*All dimensions +/- 0.25 (6.4 mm) tolerance. Dimensions are subject to change. Not to be used for construction purposes unless certified.

**Dimension A is for Model WV Wafer valve (without Butterfly Valve or spool piece).

*** Denotes gear operated valve.

Xylem Inc.
8200 N. Austin Avenue
Morton Grove, IL 60053
Phone: (847)966-3700
Fax: (847)965-8379
www.bellgossett.com

xylem
Let's Solve Water