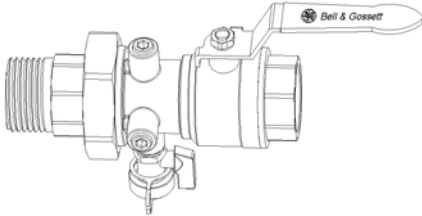


JOB:	REPRESENTATIVE:	
UNIT TAG:	ORDER NO.:	DATE:
ENGINEER:	SUBMITTED BY:	DATE:
CONTRACTOR:	APPROVED BY:	DATE:



TPV - Tank Purge Valve

for Non-Potable Water

DESCRIPTION

The Bell & Gossett TPV is a combination full port shut-off valve and drain valve used to connect the system to the tank. This valve allows the tank to be drained for easy servicing or tank replacement without having to drain the system. These valves are furnished standard with a drain valve with a standard 5/8" hose connection.

CONSTRUCTION

Body: Brass
 Ball: Chrome Plated
 Ball Seal: Teflon®*
 Stem: Explosion Proof
 O-Rings: EPDM
 Taps: 3 Total - 1/4" NPT
 1 - Drain Valve
 2 - Plugged

MAXIMUM WORKING PRESSURE

400 psig (2,758 kPa)

MAXIMUM OPERATING TEMPERATURE

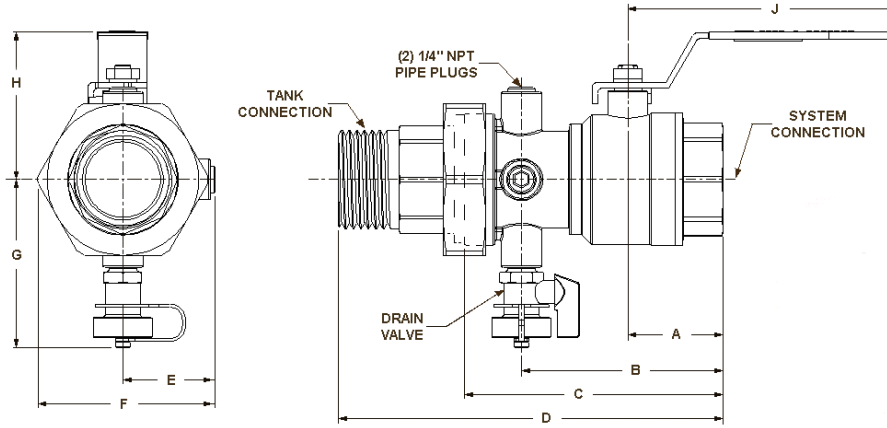
-4°F (-20°C) to 250°F (121°C)

TPV-1/2SF


SCHEDULE

MODEL NUMBER	PART NUMBER	SYSTEM CONNECTION	TANK CONNECTION	TAGGING INFORMATION	QUANTITY
TPV-1/2SF	113226	1/2" Female SWT	1/2" Female NPT		
TPV-1/2FF	113227	1/2" Female NPT	1/2" Female NPT		
TPV-1/2SM	113228	1/2" Female SWT	1/2" Male NPT		
TPV-1/2FM	113229	1/2" Female NPT	1/2" Male NPT		
TPV-3/4SF	113230	3/4" Female SWT	3/4" Female NPT		
TPV-3/4FF	113231	3/4" Female NPT	3/4" Female NPT		
TPV-3/4SM	113232	3/4" Female SWT	3/4" Male NPT		
TPV-3/4FM	113233	3/4" Female NPT	3/4" Male NPT		
TPV-1SF	113234	1" Female SWT	1" Female NPT		
TPV-1FF	113235	1" Female NPT	1" Female NPT		
TPV-1SM	113236	1" Female SWT	1" Male NPT		
TPV-1FM	113237	1" Female NPT	1" Male NPT		
TPV-1½SF	113238	1½" Female SWT	1½" Female NPT		
TPV-1½FF	113239	1½" Female NPT	1½" Female NPT		
TPV-1½SM	113240	1½" Female SWT	1½" Male NPT		
TPV-1½FM	113241	1½" Female NPT	1½" Male NPT		
TPV-1½SM	113242	1½" Female SWT	1½" Male NPT		
TPV-1½FM	113243	1½" Female NPT	1½" Male NPT		
TPV-2SM	113244	2" Female SWT	2" Male NPT		
TPV-2FM	113245	2" Female NPT	2" Male NPT		

*Teflon® is a registered trademark of E.I. DuPont de Nemours and Company.



Model Number	System Connection	Tank Connection	DIMENSIONS* INCH (mm)									Approx. Weight Lbs.
			A	B	C	D	E	F	G	H	J	
TPV-1/2SF	1/2" Female SWT	1/2" Female NPT	1.67 (42.4)	2.25 (57.2)	3.15 (80.0)	3.82 (97.0)	0.84 (21.3)	1.60 (40.6)	2.36 (59.9)	1.75 (44.5)	3.34 (84.8)	1.0 (0.5)
TPV-1/2FF	1/2" Female NPT	1/2" Female NPT	1.19 (30.2)	2.00 (50.8)	2.90 (73.7)	3.56 (90.4)	0.84 (21.3)	1.60 (40.6)	2.36 (59.9)	1.75 (44.5)	3.34 (84.8)	1.0 (0.5)
TPV-1/2SM	1/2" Female SWT	1/2" Male NPT	1.29 (32.8)	2.25 (57.2)	3.15 (80.0)	4.73 (120.1)	0.84 (21.3)	1.60 (40.6)	2.36 (59.9)	1.75 (44.5)	3.34 (84.8)	1.0 (0.5)
TPV-1/2FM	1/2" Female NPT	1/2" Male NPT	1.06 (26.9)	2.00 (50.8)	2.90 (73.7)	4.47 (113.5)	0.84 (21.3)	1.60 (40.6)	2.36 (59.9)	1.75 (44.5)	3.34 (84.8)	1.0 (0.5)
TPV-3/4SF	3/4" Female SWT	3/4" Female NPT	1.67 (42.4)	2.85 (72.4)	3.72 (94.5)	4.53 (115.1)	1.06 (26.9)	1.95 (49.5)	2.66 (67.6)	1.89 (48.0)	3.50 (88.9)	1.24 (0.6)
TPV-3/4FF	3/4" Female NPT	3/4" Female NPT	1.19 (30.2)	2.50 (63.5)	3.26 (82.8)	4.06 (103.1)	1.06 (26.9)	1.95 (49.5)	2.66 (67.6)	1.89 (48.0)	3.50 (88.9)	1.24 (0.6)
TPV-3/4SM	3/4" Female SWT	3/4" Male NPT	1.67 (42.4)	2.85 (72.4)	3.72 (94.5)	5.50 (140.0)	1.06 (26.9)	1.95 (49.5)	2.66 (67.6)	1.89 (48.0)	3.50 (88.9)	1.25 (0.6)
TPV-3/4FM	3/4" Female NPT	3/4" Male NPT	1.19 (30.2)	2.50 (63.5)	3.26 (82.8)	5.03 (127.8)	1.06 (26.9)	1.95 (49.5)	2.66 (67.6)	1.89 (48.0)	3.50 (88.9)	1.25 (0.6)
TPV-1SF	1" Female SWT	1" Female NPT	1.95 (49.5)	3.18 (80.8)	4.14 (105.2)	5.05 (128.3)	1.23 (31.2)	2.06 (52.3)	2.71 (68.8)	2.00 (50.8)	4.00 (101.6)	1.71 (0.8)
TPV-1FF	1" Female NPT	1" Female NPT	1.45 (36.8)	2.63 (66.8)	3.60 (91.4)	4.50 (114.3)	1.23 (31.2)	2.06 (52.3)	2.71 (68.8)	2.00 (50.8)	4.00 (101.6)	1.71 (0.8)
TPV-1SM	1" Female SWT	1" Male NPT	1.95 (49.5)	3.18 (80.8)	4.14 (105.2)	6.16 (156.5)	1.23 (31.2)	2.06 (52.3)	2.71 (68.8)	2.00 (50.8)	4.00 (101.6)	1.75 (0.8)
TPV-1FM	1" Female NPT	1" Male NPT	1.45 (36.8)	2.63 (66.8)	3.60 (91.4)	5.60 (142.2)	1.23 (31.2)	2.06 (52.3)	2.71 (68.8)	2.00 (50.8)	4.00 (101.6)	1.75 (0.8)
TPV-1¼SF	1¼" Female SWT	1¼" Female NPT	2.13 (54.1)	3.94 (100.1)	5.14 (130.6)	6.10 (154.9)	1.34 (34.0)	2.71 (68.8)	2.96 (75.2)	2.45 (62.2)	4.50 (114.3)	3.15 (1.5)
TPV-1¼FF	1¼" Female NPT	1¼" Female NPT	1.55 (39.4)	3.37 (85.6)	4.55 (115.6)	5.50 (139.7)	1.34 (34.0)	2.71 (68.8)	2.96 (75.2)	2.45 (62.2)	4.5 (114.3)	3.15 (1.5)
TPV-1¼SM	1¼" Female SWT	1¼" Male NPT	2.13 (54.1)	3.94 (100.1)	5.14 (130.6)	7.11 (180.6)	1.34 (34.0)	2.71 (68.8)	2.96 (75.2)	2.45 (62.2)	4.50 (114.3)	3.19 (1.5)
TPV-1¼FM	1¼" Female NPT	1¼" Male NPT	1.55 (39.4)	3.37 (85.6)	4.55 (115.6)	6.52 (165.6)	1.34 (34.0)	2.71 (68.8)	2.96 (75.2)	2.45 (62.2)	4.5 (114.3)	3.19 (1.5)
TPV-1½SM	1½" Female SWT	1½" Male NPT	2.54 (64.5)	4.66 (118.4)	5.90 (149.9)	8.32 (211.3)	1.85 (47.0)	3.25 (82.6)	3.38 (85.9)	3.00 (76.2)	5.30 (134.6)	5.50 (2.5)
TPV-1½FM	1½" Female NPT	1½" Male NPT	1.91 (48.5)	3.97 (100.8)	5.12 (130.1)	7.64 (194.1)	1.85 (47.0)	3.25 (82.6)	3.38 (85.9)	3.00 (76.2)	5.30 (134.6)	5.50 (2.5)
TPV-2SM	2" Female SWT	2" Male NPT	2.89 (72.4)	4.57 (116.1)	6.80 (172.7)	9.80 (248.9)	2.00 (50.8)	4.00 (101.6)	3.52 (89.4)	3.33 (84.6)	6.12 (155.5)	8.00 (3.63)
TPV-2FM	2" Female NPT	2" Male NPT	2.06 (52.3)	4.65 (118.1)	5.85 (148.6)	8.87 (225.3)	2.00 (50.8)	4.00 (101.6)	3.52 (89.4)	3.33 (84.6)	6.12 (155.5)	8.00 (3.63)

*All dimensions +/- 0.125 (3.2 mm) tolerance. Dimensions are subject to change. Not to be used for construction purposes unless certified.

Xylem Inc.
8200 N. Austin Avenue
Morton Grove, IL 60053
Phone: (847)966-3700
Fax: (847)965-8379
www.xyleminc.com/brands/bellgossett

xylem
Let's Solve Water

Bell & Gossett is a trademark of Xylem Inc. or one of its subsidiaries.
© 2012 Xylem Inc.