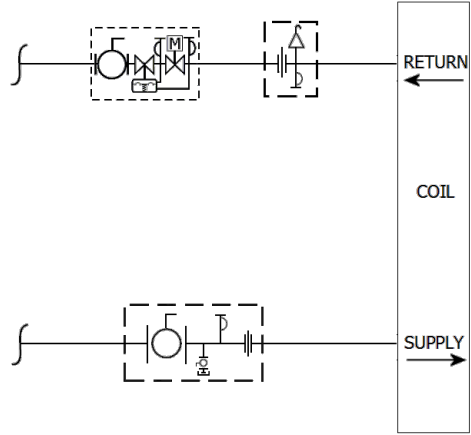
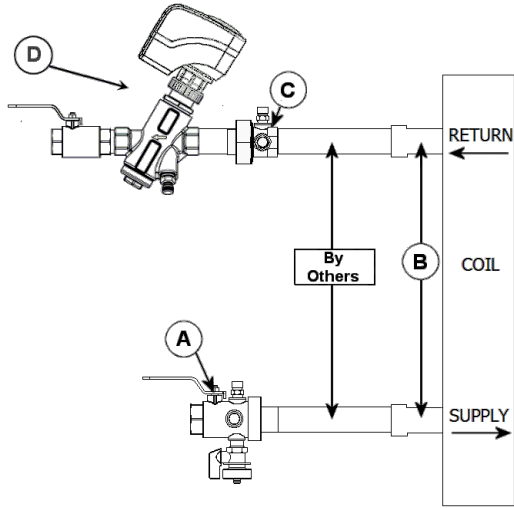


<b>JOB:</b>   <b>UNIT TAG:</b> <b>ENGINEER:</b> <b>CONTRACTOR:</b>	<b>REPRESENTATIVE:</b>   <b>ORDER NO.:</b> <b>SUBMITTED BY:</b> <b>APPROVED BY:</b>	<b>DATE:</b> <b>DATE:</b> <b>DATE:</b>
---	--	--

## Ultra Setter™ AA2B VALVE KIT



**DESCRIPTION**

The Bell & Gossett AA2B Valve Kit is a packaged and partially pre-assembled collection of common components required for commissioning a terminal unit. Piping and coils are not supplied by B&G.

The AA2B Kit consists of:

Balloon	Part Number	Inlet Connection	Outlet Connection	Description
A				<b>Model UBV</b> - Combination Shut Off Valve and Union End with one Pressure / Temperature Port, Drain Valve and Tailpiece.
B				Connection Size for Coil/Terminal
C				<b>Model UA</b> - Union Accessory with one Pressure / Temperature Port, Manual Air Vent, Tailpiece and Union End.
D				<b>Model AA</b> - Ultra Setter™ - Pressure Independent Electrically Actuated Temperature Control Valve with Supplied Ball Isolation/Shut Off Valve, two Pressure/Temperature Ports, Fixed Female and NPT Threaded Body.

Xylem Inc.  
8200 N. Austin Avenue  
Morton Grove, IL 60053  
Phone: (847)966-3700  
Fax: (847)965-8379  
www.xyleminc.com/brands/bellgossett

