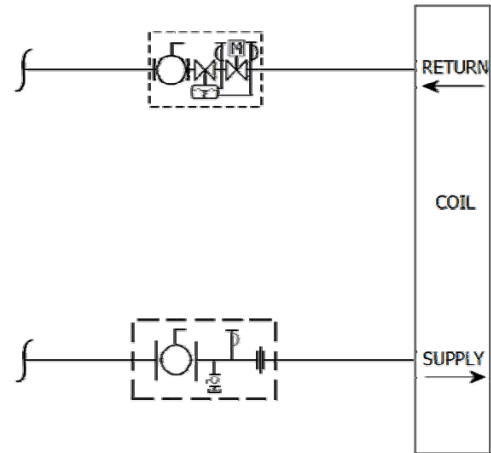
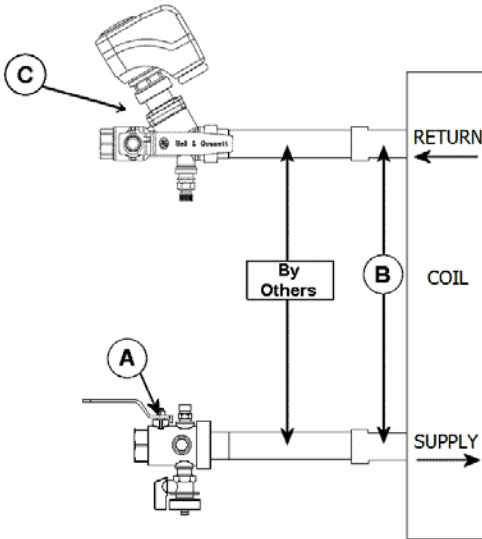


JOB: UNIT TAG: ENGINEER: CONTRACTOR:	REPRESENTATIVE: ORDER NO. SUBMITTED BY: APPROVED BY:	DATE: DATE: DATE:
---	---	--

Ultra Setter™ Compact AUB VALVE KIT



DESCRIPTION

The Bell & Gossett AUB Valve Kit is a packaged and partially pre-assembled collection of common components required for commissioning a terminal unit. Piping and coils are not supplied by B&G.

The AUB Kit consists of:

Balloon	Part Number	Inlet Connection	Outlet Connection	Description
A				Model UBV - Combination Shut Off Valve and Union End with one Pressure / Temperature Port, Drain Valve and Tailpiece.
B				Connection Size for Coil/Terminal
C				Model AU - Ultra Setter™ Compact - Pressure Independent Electrically Actuated Temperature Control Valve with Integrated Ball Isolation/Shut Off Valve, two Pressure/Temperature Ports, Tailpiece, and Union End.