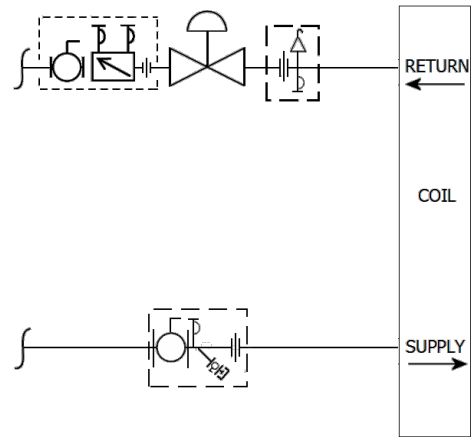
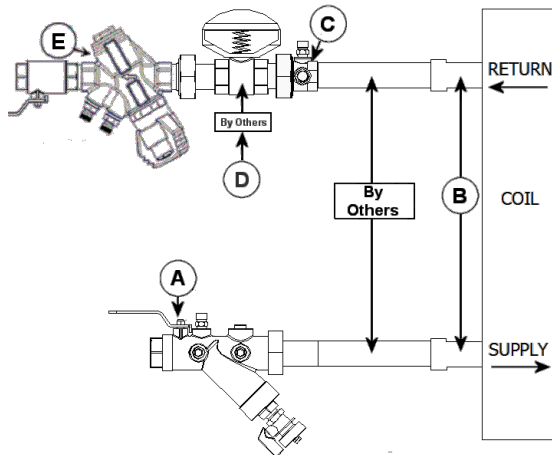


JOB: UNIT TAG: ENGINEER: CONTRACTOR:	REPRESENTATIVE: ORDER NO.: SUBMITTED BY: APPROVED BY:	DATE: DATE: DATE:
---	--	--

Circuit Sentry™ Flo-Setter AM2Y VALVE KIT



DESCRIPTION

The Bell & Gossett AM2Y Valve Kit is a packaged and partially pre-assembled collection of common components required for commissioning a terminal unit. Temperature control valves, piping and coils are not supplied by B&G.

The AM2Y Kit consists of:

Balloon	Part Number	Inlet Connection	Outlet Connection	Description
A				Model UBY - Combination Wye Strainer and Shut Off Valve with one Pressure / Temperature Port, Drain Valve, Tailpiece and Union End.
B				Connection Size for Coil/Terminal
C				Model UA - Union Accessory with one Pressure / Temperature Port, Manual Air Vent, Tailpiece and Union End.
D				Connection Size for Two-Way Temperature Control Valve (by others)
E				Model AM - Circuit Sentry™ Flo-Setter - Externally Adjustable Balance and Commissioning Valve with Supplied Ball Isolation/Shut Off Valve, two Pressure/Temperature Ports, Tailpiece, and Union End.

Xylem Inc.
8200 N. Austin Avenue
Morton Grove, IL 60053
Phone: (847)966-3700
Fax: (847)965-8379
www.xylem.com/brands/bellgossett

