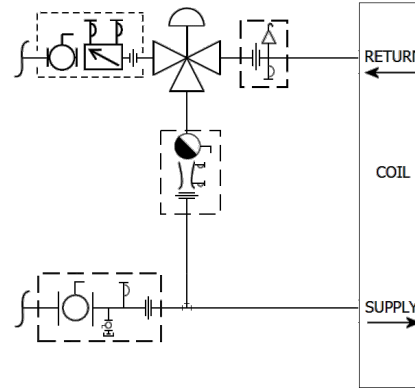
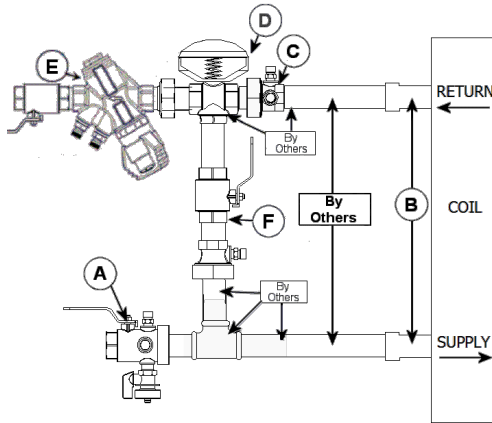


<b>JOB:</b>   <b>UNIT TAG:</b> <b>ENGINEER:</b> <b>CONTRACTOR:</b>	<b>REPRESENTATIVE:</b>   <b>ORDER NO.:</b> <b>SUBMITTED BY:</b> <b>APPROVED BY:</b>	<b>DATE:</b> <b>DATE:</b> <b>DATE:</b>
-----------------------------------------------------------------------------------	----------------------------------------------------------------------------------------------------	----------------------------------------------

# Circuit Sentry™ Flo-Setter AM3BMV Valve Kit



**DESCRIPTION**

The Bell & Gossett AM3BMV Valve Kit is a packaged and partially pre-assembled collection of common components required for commissioning a terminal unit. Temperature control valves, piping and coils are not supplied by B&G.

The AM3BMV Kit consists of:

Balloon	Part Number	Inlet Connection	Outlet Connection	Description
A				<b>Model UBV</b> - Combination Shut Off Valve and Union End with one Pressure / Temperature Port, Drain Valve and Tailpiece.
B				Connection Size for Coil/Terminal
C				<b>Model UA</b> - Union Accessory with one Pressure / Temperature Port, Manual Air Vent, Tailpiece and Union End.
D				Connection Size for Two-Way Temperature Control Valve (by others)
E				<b>Model AM</b> - Circuit Sentry™ Flo-Setter - Externally Adjustable Balance and Commissioning Valve with Supplied Ball Isolation/Shut Off Valve, two Pressure/Temperature Ports, Tailpiece, and Union End.
F				<b>Model MV</b> - Venturi/Ball Valve Combination - Calibrated Balance, Commissioning and Positive Shut Off Valve with two Pressure/Temperature Ports, Standard Port Ball Valve, Tailpiece and Union End.

Xylem Inc.  
8200 N. Austin Avenue  
Morton Grove, IL 60053  
Phone: (847)966-3700  
Fax: (847)965-8379  
[www.xyleminc.com/brands/bellgossett](http://www.xyleminc.com/brands/bellgossett)

