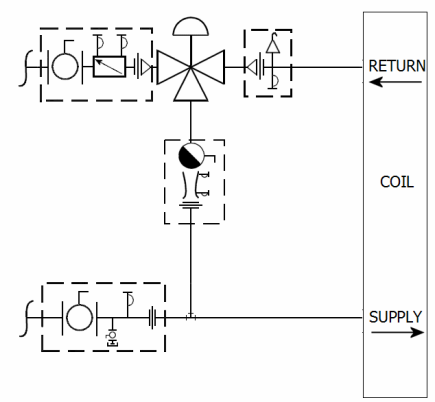
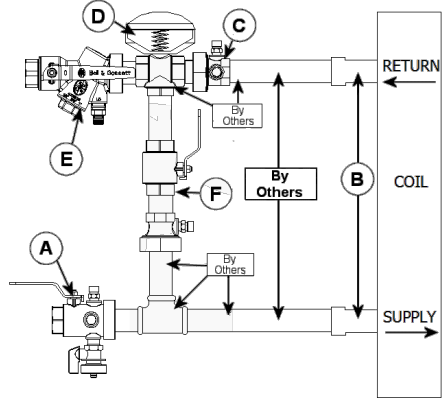


<b>JOB:</b>	<b>REPRESENTATIVE:</b>	
<b>UNIT TAG:</b>	<b>ORDER NO.:</b>	<b>DATE:</b>
<b>ENGINEER:</b>	<b>SUBMITTED BY:</b>	<b>DATE:</b>
<b>CONTRACTOR:</b>	<b>APPROVED BY:</b>	<b>DATE:</b>

## Circuit Sentry™ AC3BMV Valve Kit



**DESCRIPTION**

The Bell & Gossett AC3BMV Valve Kit is a packaged and partially pre-assembled collection of common components required for commissioning a terminal unit. Temperature control valves, piping and coils are not supplied by B&G.

The AC3BMV Kit consists of:

Balloon	Part Number	Inlet Connection	Outlet Connection	Description
A				<b>Model UBV</b> - Combination Shut Off Valve and Union End with one Pressure / Temperature Port, Drain Valve and Tailpiece.
B				Connection Size for Coil/Terminal
C				<b>Model UA</b> - Union Accessory with one Pressure / Temperature Port, Manual Air Vent, Tailpiece and Union End.
D				Connection Size for Two-Way Temperature Control Valve (by others)
E				<b>Model AC</b> - Circuit Sentry™ - Automatic Flow Limiting, Commissioning and Shut Off Valve with two Pressure / Temperature Ports, Tailpiece and Union End.
F				<b>Model MV</b> - Venturi/Ball Valve Combination - Calibrated Balance, Commissioning and Positive Shut Off Valve with two Pressure/Temperature Ports, Standard Port Ball Valve, Tailpiece and Union End.

Xylem Inc.  
8200 N. Austin Avenue  
Morton Grove, IL 60053  
Phone: (847)966-3700  
Fax: (847)965-8379  
www.bellgossett.com

