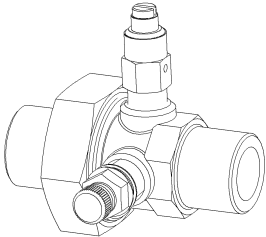


<b>JOB:</b>	<b>REPRESENTATIVE:</b>	
<b>UNIT TAG:</b>	<b>ORDER NO.:</b>	<b>DATE:</b>
<b>ENGINEER:</b>	<b>SUBMITTED BY:</b>	<b>DATE:</b>
<b>CONTRACTOR:</b>	<b>APPROVED BY:</b>	<b>DATE:</b>



# Model UA

## Union Accessory

**DESCRIPTION**

The Bell & Gossett UA is a combination union, component isolation, and commissioning accessory for use in HVAC systems. Union Accessories are furnished with one manual air vent and one pressure/temperature port for commissioning. A variety of pipe connections are available on both the fixed and union ends.

**CONSTRUCTION**

Body: C37000 Brass  
 Taps: Two 1/4" NPT spaced 90° apart  
 O-Rings: EPDM

**MAXIMUM WORKING PRESSURE**

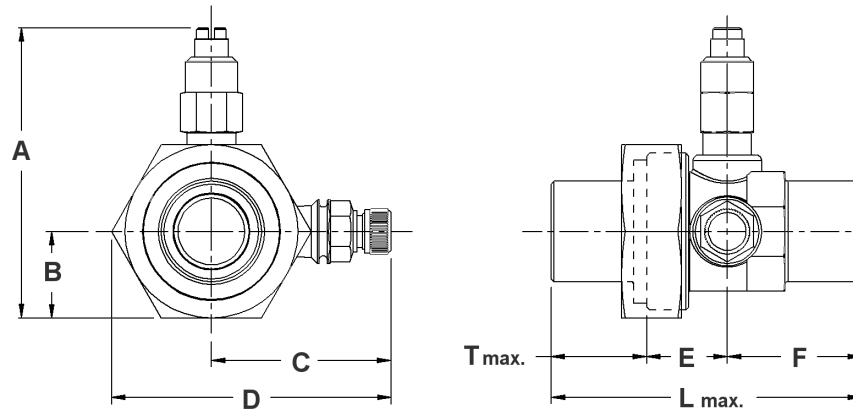
400 psig (2,758 kPa)

**MAXIMUM OPERATING TEMPERATURE**

-4°F (-20°C) to 250°F (121°C)

**SCHEDULE**

VALVE SIZE FIXED END	TAGGING INFORMATION	QUANTITY
1/2" Sweat Female		
1/2" NPT Female		
3/4" Sweat Female		
3/4" NPT Female		
1" Sweat Female		
1" NPT Female		
1 1/4" Sweat Female		
1 1/4" NPT Female		
1 1/2" Sweat Female		
1 1/2" NPT Female		
2" NPT Female		
2" Sweat Female		



Valve Size Fixed End	Connection Fixed End	DIMENSIONS* INCH (mm)								Approx. Weight Lbs.
		A	B	C	D	E	F	T (Max)	L (Max)	
½"	Sweat Female	2.76 (70.1)	0.73 (18.4)	1.95 (49.4)	2.76 (70.0)	0.89 (22.6)	1.22 (30.9)	1.55 (39.4)	3.66 (92.9)	1.1 (0.5)
½"	NPT Female	2.76 (70.1)	0.73 (18.4)	1.95 (49.4)	2.76 (70.0)	0.89 (22.6)	1.08 (27.4)	1.55 (39.4)	3.52 (89.4)	1.2 (0.5)
½"	NPT Male	2.76 (70.1)	0.73 (18.4)	1.95 (49.4)	2.76 (70.0)	1.08 (27.4)	1.78 (45.2)	1.55 (39.4)	4.41 (112.0)	1.5 (0.7)
¾"	Sweat Female	2.98 (75.6)	0.88 (22.2)	2.01 (51.1)	2.96 (75.2)	0.86 (21.8)	1.28 (32.5)	1.55 (39.4)	3.59 (93.7)	1.3 (0.6)
¾"	NPT Female	2.98 (75.6)	0.88 (22.2)	2.01 (51.1)	2.96 (75.2)	0.86 (21.8)	1.18 (29.8)	1.55 (39.4)	3.59 (91.0)	1.4 (0.6)
¾"	NPT Male	2.98 (75.6)	0.88 (22.2)	2.01 (51.1)	2.96 (75.2)	1.12 (28.4)	1.69 (42.9)	1.55 (39.4)	4.36 (110.7)	1.8 (0.8)
1"	Sweat Female	3.19 (81.1)	0.97 (24.6)	2.14 (54.2)	3.19 (80.9)	0.89 (22.7)	1.51 (38.4)	2.00 (50.8)	4.41 (111.9)	1.6 (0.7)
1"	NPT Female	3.19 (81.1)	0.97 (24.6)	2.14 (54.2)	3.19 (80.9)	0.89 (22.7)	1.23 (31.2)	2.00 (50.8)	4.96 (104.7)	1.8 (0.8)
1¼"	Sweat Female	3.73 (94.7)	1.24 (31.6)	2.40 (60.8)	3.80 (96.5)	1.08 (27.3)	1.89 (47.9)	2.00 (50.8)	4.12 (126.0)	2.4 (1.1)
1¼"	NPT Female	3.73 (94.7)	1.24 (31.6)	2.40 (60.8)	3.80 (96.5)	1.08 (27.3)	1.25 (31.6)	2.00 (50.8)	4.3 (109.7)	2.5 (1.1)
1½"	Sweat Female	4.06 (103.1)	1.50 (38.1)	2.47 (62.7)	4.15 (105.5)	1.13 (28.6)	1.88 (47.6)	2.52 (64.0)	5.52 (140.2)	3.4 (1.5)
1½"	NPT Female	4.06 (103.1)	1.50 (38.1)	2.47 (62.7)	4.15 (105.5)	1.13 (28.6)	1.50 (38.1)	2.52 (64.0)	5.15 (130.7)	3.6 (1.6)
2"	Sweat Female	4.79 (120.9)	1.88 (47.8)	2.79 (70.9)	4.74 (120.4)	1.10 (27.9)	1.94 (49.2)	3.14 (79.8)	6.2 (156.9)	5.0 (2.3)
2"	NPT Female	4.79 (120.9)	1.88 (47.8)	2.79 (70.9)	4.74 (120.4)	1.10 (27.9)	1.65 (41.9)	3.14 (79.8)	5.89 (149.6)	5.6 (2.5)

\*All dimensions +/- 0.125 (3.2 mm) tolerance. Dimensions are subject to change. Not to be used for construction purposes unless certified.

Xylem Inc.  
 8200 N. Austin Avenue  
 Morton Grove, IL 60053  
 Phone: (847)966-3700  
 Fax: (847)965-8379  
 www.bellgossett.com

